



PRODUCT CHANGE NOTIFICATION

CO & OUTSIDE PLANT PRODUCTS



REVISED September 30, 2021

Bourns® Model 4030-01-W, 4030-1W-CL & 4030-02-W Surge Protector Test Sets Power Supply Adapter Change

Riverside, California – September 22, 2021 – Effective ~~October 30, 2021~~ **December 1, 2021**, Bourns will change the power supply adapter for the Model 4030-01-W, 4030-1W-CL and 4030-02-W Surge Protector Test Sets from an 18 V power adapter, 120 VAC, 250 mA fixed AC plug for the Americas to an 18 V power supply adapter, 100 – 220 VAC, 1300 mA with switchover AC plug optional kit compatible with SAA, VDE and BS standards.

The reason for this change is to standardize the power supply adapter with the Model 4040 Test Set and to comply with CE/RoHS* standards.

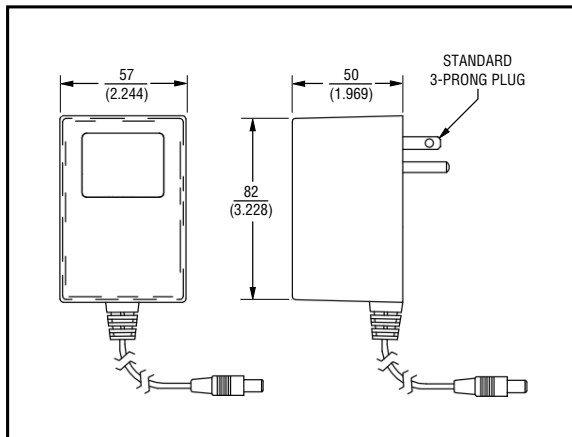
Affected Part Numbers

4030-01-W

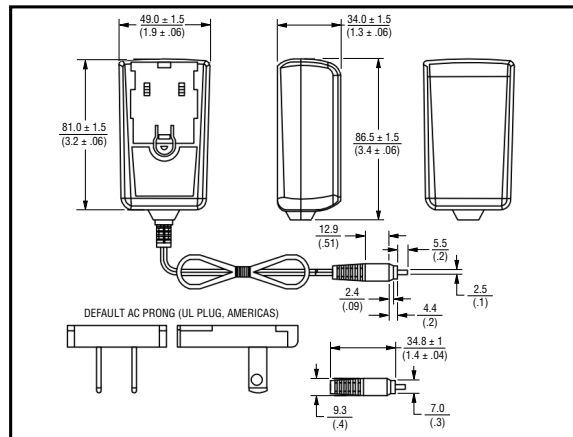
4030-1W-CL

4030-02-W

Existing Power Supply Adapter Model 50502-01



New Power Supply Adapter Model 50504-01



The form, fit, function, quality and reliability of the Surge Protector Test Sets will remain the same.

Surge protector test set samples with the new electrical plug will be available on November 1, 2021.

Implementation dates are as follows:

Date that products in existing design will cease: **November 26, 2021**

Date that deliveries of products in modified design will begin: ~~November 26, 2021~~ **December 1, 2021**

First date code using the above changes: **211201**

If you have any questions or need additional information, please feel free to [contact Customer Service/Inside Sales](#).

Users should verify that the described changes will not impact the performance of the product in their specific applications.

OSP2103