

## Product Change Notification

### PANEL CONTROLS

Bourns Manufacturers Representatives  
Corporate Distributor Product Managers  
Americas Sales Team  
Asia Sales Team  
Europe Sales Team  
Bourns Internal  
Bourns Plant Managers

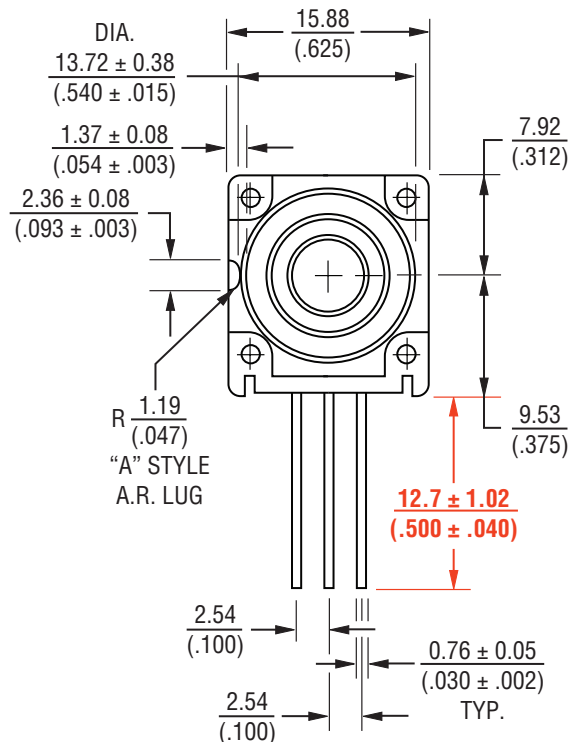


September, 2011

### Bourns® Sensors & Controls Product Line Model 91/96 Terminal Length Change

Bourns® Sensors & Controls Product Line is announcing a change in fit to the terminal lengths on our [Model 91](#) and [96](#) – 5/8" Single-Turn Panel Controls.

Both models have been supplied with  $0.602" \pm .022"$  (15.29 mm  $\pm$  .56 mm) terminals. Effective November 1, 2011 terminals will conform to a new standard length of  $0.500" \pm .040"$  (12.7 mm  $\pm$  1.02 mm). See the diagram below referencing the dimension:



Should you have any questions or need additional information, please feel free to contact [Customer Service/Inside Sales](#).