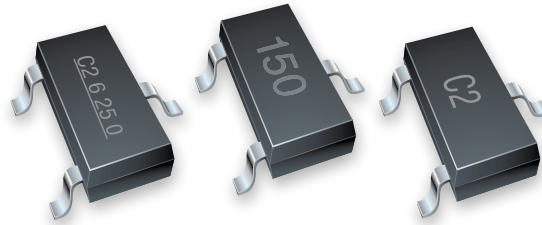




# PRODUCT CHANGE NOTIFICATION

## DIODES



### Bourns® Model CDSOT23 Series TVS Diodes *Additional Assembly and Test Manufacturing Location*

Riverside, California – June 20, 2022 – Effective September 30, 2022, Bourns will establish an additional assembly and test manufacturing location for select [Model CDSOT23 Series TVS Diodes](#). This additional site in the Philippines is being established to accommodate the large increase in demand for the affected part numbers, secure continuity of supply through capacity expansion and provide maximum flexibility to customers. A list of affected part numbers is included below.

Affected Part Numbers					
CDSOT23-SM712	CDSOT23-T03C	CDSOT23-T03	CDSOT23-T08C	CDSOT23-T36	CDSOT23-T03LC
CDSOT23-T36C	CDSOT23-SLVU2.8	CDSOT23-T05	CDSOT23-T36LC	CDSOT23-T08	CDSOT23-T15
CDSOT23-T24CAN	CDSOT23-T05C	CDSOT23-T24C	CDSOT23-T15C	CDSOT23-T15LC	CDSOT23-T12
CDSOT23-T12C	CDSOT23-T24LC	CDSOT23-T12LC	CDSOT23-T08LC	CDSOT23-T24	CDSOT23-T05LC

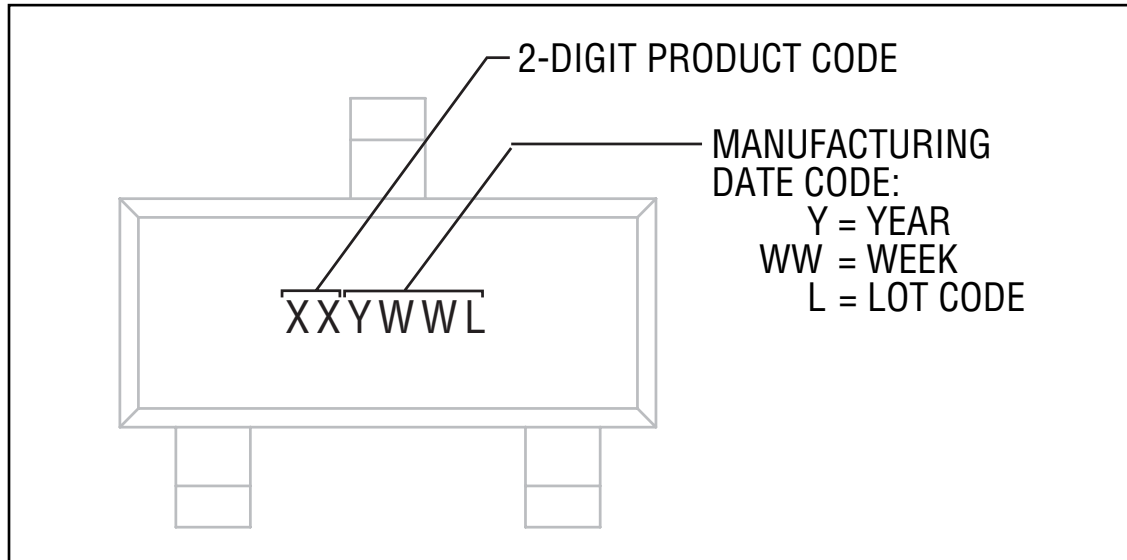
The silicon fabrication process will not change at this new assembly and test manufacturing site. The interconnect material used at this new site will be changed from gold to copper. This change has been fully qualified and will have no impact on the fit or function of the affected part numbers. The form of the parts made at the new site will change because of a small change in the part marking for traceability purposes. The quality, reliability and performance of the TVS diodes produced at the new site should not change. The production lead times of these TVS diodes should improve gradually as our capacity is expanded. The country of origin will remain the same.

The part marking will be used to identify units produced at the new assembly and test manufacturing site. The lot code (L) of the new site will follow alphabetic characters while the current site will continue to use numbers.

Users should verify that the described changes will not impact the performance of the product in their specific applications.

ESD2232

## Typical Part Marking



Samples from the new assembly and test manufacturing site will be available for evaluation on August 26, 2022. As with the addition of any new manufacturing site, we recommend that customers test the affected part numbers manufactured at the new site in their specific applications for verification of satisfactory performance.

### Implementation dates are as follows:

Date that deliveries of products from the new assembly and test manufacturing location will begin: **September 30, 2022**

First date code using changes: **2239**

Orders for part numbers listed above received after September 30, 2022 may be filled interchangeably from the existing assembly and test manufacturing site or the new additional site.

*If you have any questions or need additional information, please feel free to [contact Customer Service/Inside Sales](#).*