

## Product Change Notification

### PANEL CONTROLS

Bourns Manufacturers Representatives  
Corporate Distributor Product Managers  
Americas Sales Team  
Asia Sales Team  
Europe Sales Team  
Bourns Internal  
Bourns Plant Managers

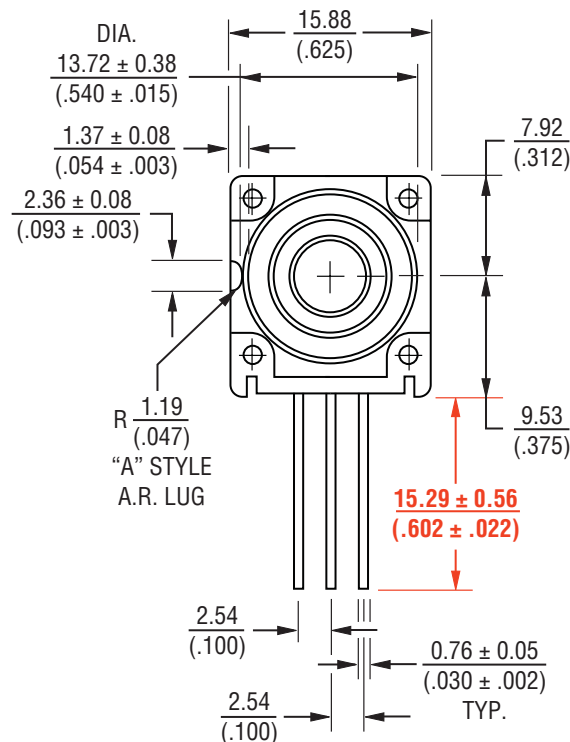


September, 2011

### Bourns® Sensors & Controls Product Line Model 91/96 Terminal Length Change CANCELLATION

Based on market input, Bourns® Sensors & Controls Product Line is cancelling the change to the terminal lengths on our [Model 91](#) and [96](#) – 5/8" Single-Turn Panel Controls.

Both models will continue to be supplied with 0.602" ± .022" (15.29 mm ± .56 mm) length terminals.



Should you have any questions or need additional information, please feel free to contact [Customer Service/Inside Sales](#).