

BOURNS® Product Update Memo

TRIMPOT® PRODUCTS

March, 2006

Bourns Manufacturers Representatives
Corporate Distributor Product Managers
Americas Sales Team
Asia Sales Team
Europe Sales Team
Bourns Internal
Bourns Plant Managers



Model 3362 Knob Addition

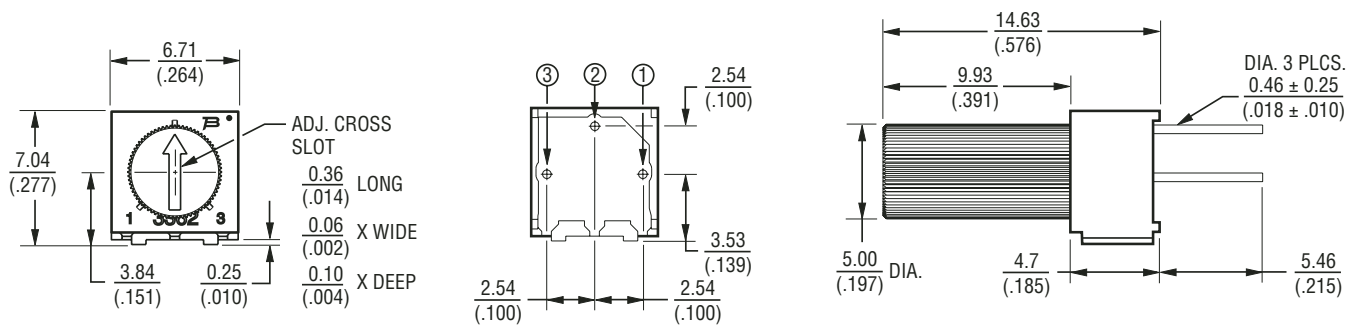
Bourns® Trimpot® Division is proud to announce the addition of a knob option to the [Model 3362](#). The knob option is currently only available in the top adjust versions. Side adjust versions can be made available, but will require a NRE charge.

The knob option is available as standard and RoHS compliant product. The RoHS version requires the addition of an LF suffix.

Part Numbering Example:

Standard: 3362 Knob – 3362P-1-103T

RoHS: 3362 Knob – 3362P-1-103TLF



Outline Drawing