



PRODUCT CHANGE NOTIFICATION

CO & OUTSIDE PLANT PRODUCTS



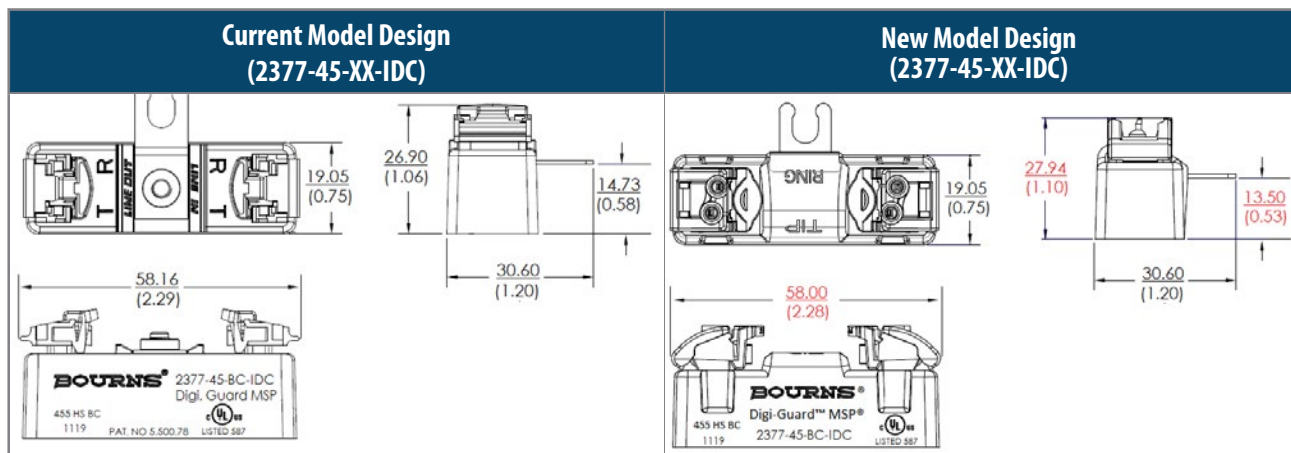
Bourns® Model 2377 Station Protector Series

Change to Design and Marking Technology

Riverside, California – January 29, 2020 – In the spirit of continuous improvement and due to the sudden supply shortage of insulation displacement connectors, Bourns is changing the design on the Model [2377 Series DigiGuard™ – MSP® Maximum Duty Station Protector](#), [2377 MSP®/TBU® Series DigiGuard™ Station Protector](#) and [2377 Balanced Gas Tube Station Protector](#). Affected part numbers are listed on the next page.

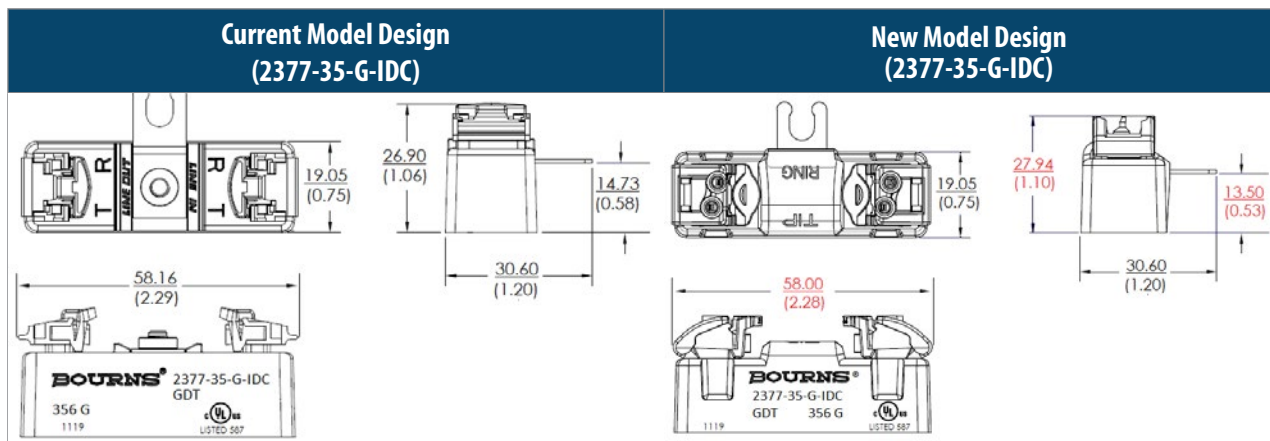
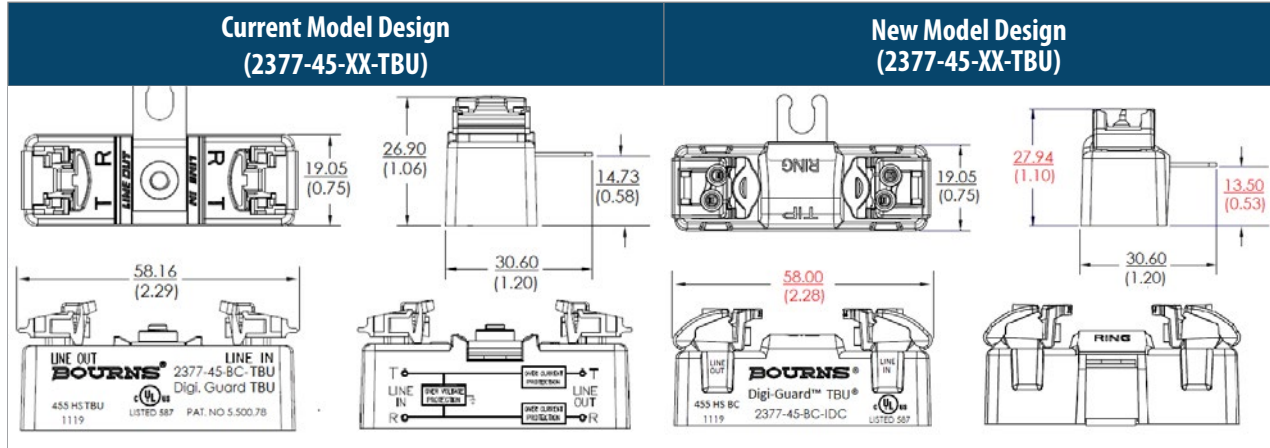
The form of the products will change slightly due to the new plastic housing, insulation displacement connectors and the height position of the ground terminal. The marking of the products will change from ink printing to a new laser marking. These changes will have no impact on the fit, function, quality or reliability of the product.

The current product design will continue production through January 31, 2020 or until on-hand inventory is depleted.



Users should verify that the described changes will not impact the performance of the product in their specific applications.

GDT1951



Affected Part Numbers			
2377-45-BC-IDC	2377-45-BC-TBU	2377-35-G-IDC	2377-45-XX-TBU
2377-45-HS-IDC	2377-45-HS-TBU	2377-45-XX-IDC	2377-35-G-IDC

Implementation dates are as follows:

Date evaluation samples of the new model design will be available: **January 18, 2020**

First shipping date of the new model design: **February 17, 2020**

Last day of manufacturing of the current model design: **January 31, 2020**

Last date code for current model design: **0120**

First date code for the new model design: **0220**

If you have any questions or need additional information, please feel free to contact [Customer Service/ Inside Sales](#).