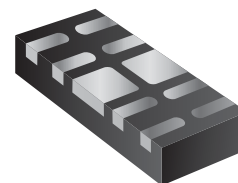


Product Change Notification

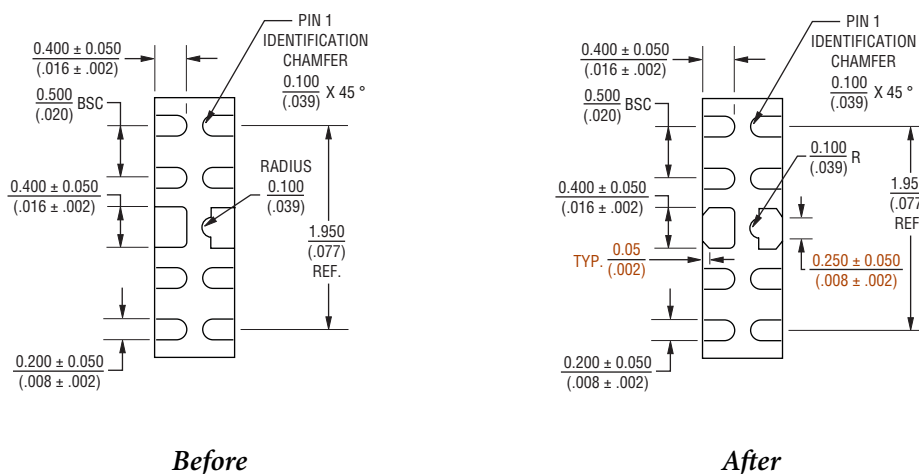
TVS DIODE PRODUCTS



April, 2012

CDDFN10-0524P Pad Dimensions

In order to optimize the solder placement of devices mounted on PCB footprints, Bourns is modifying the center ground pad dimensions of the DFN package for our [CDDFN10-0524P](#) TVS diode products.



Qualification:

Below are the *Qualification Information* and *Results* using the DFN10 package.

Qualification Information:

All Products	
Die Technology	TVS Diode Products
Product Name	CDDFN10-0524P
Top Metal	Al
Back Metal	AlNiAu
Assembly Site	China
Pins/Package	DFN10
Mold Compound	CEL9220
Die Attach	8006N
Bond Wire	Au
L/F Material	Copper
Marking	Laser
Termination Finish	Matte Sn (Pb Free)

Qualification Results:

Stress Test	TEST PLAN				CDDFN10-0524P
	Conditions	Standard	Method	SS / Accept	SS/Fail
Moisture Induced Stress Sensitivity		J-STD-020	-	Level 3	66/0
HTSL	150 °C, 1000 h	J-STD-22	A103	22/0	22/0
PCT	85 °C / 85 % RH, 1000 h	J-STD-22	A102	22/0	22/0
TCT	65 / +150 °C, 1000 cs	J-STD-22	A104	22/0	22/0
THT	65 / +150 °C, 1000 cs	J-STD-22	A101	22/0	22/0
Solderability	8 hr Steam	JESD22-	B102E	5/0	5/0

Note: Samples subjected are preconditioned according to J-STD22-020D (260 °C).

Product Labeling:

The product marking is unchanged except for the country code information. Labels will show the country of origin code.

Identification of the Changed Product:

Bourns maintains traceability back to source wafer lots and assembly sites for all products.

First Date Code from New Site: 1239

Impact on Form, Fit, Function and Reliability:

Product ratings and electrical characteristics are unaffected by the change. There is no impact on form, fit, function or reliability.

Last Date of Manufacture of Existing Product:

Bourns has no plans to discontinue assembly and test of products at its existing subcontract sites.

Implementation Date:

Deliveries to customers using the new pad layout may occur from October, 2012 onward.

If you have any questions, please contact our [customer service teams](#) in each region.