




BOURNS®

Features

- Very fast response to fast rising impulses due to characteristics inherent to the metal-oxide varistors (MOVs)
- Provides very high energy handling capabilities
- Low capacitance
- Completely sealed and weatherproof construction
- Uses industry-standard 356 footprint
-  Listed per UL 497 (File: E53117)



Model 356H is obsolete and not recommended for new designs. Model 455HS is preferred.

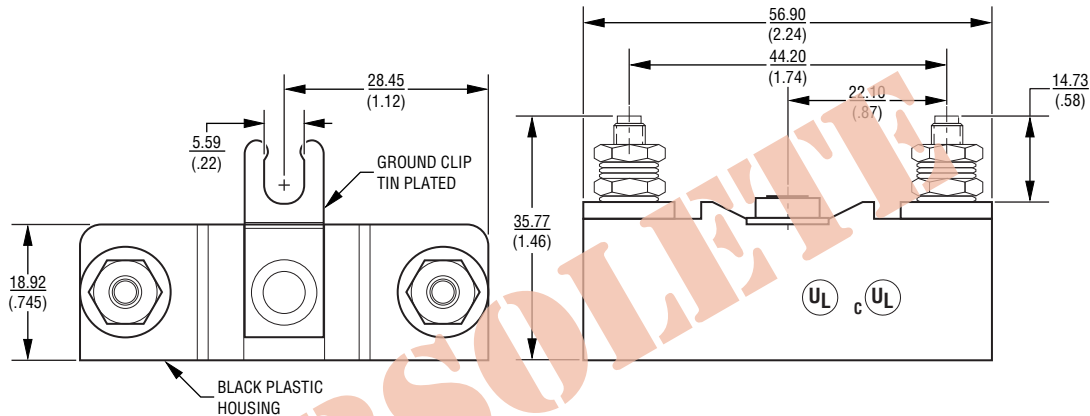
Model 356H - Hybrid Station Protector

Bourns® Model 356H station protectors are designed to provide balanced 3-pole gas tube protection on conductors serving the subscriber's premises. The 356H provides protection against lightning surges, power-cross conditions and ground potential rises.

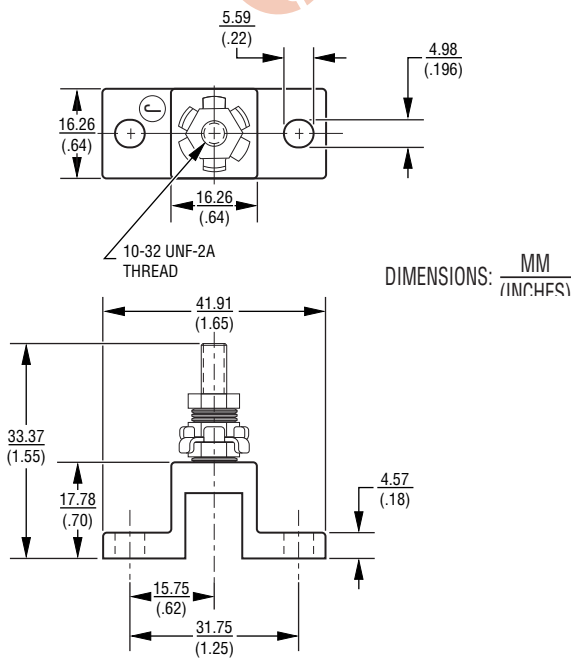
The protector element consists of a heavy-duty rated, three-electrode gas tube with a parallel metal-oxide varistor backup and a unique shorting mechanism for both lines. The gas tube and MOVs are sealed in a fire resistant plastic housing. Patent #5,500,782.

Product Dimensions

2377-35-H



2372-02 Ground Mounting Stud (order separately)



REV. 01/13

Specifications are subject to change without notice. Customers should verify actual device performance in their specific applications.