



Features

- 1.27 mm pitch
- 3 to 4 precious metal contacts
- Twin hot contacts (symmetrical pad layout)
- Pick & place compatible
- High cycle life
- RoHS compliant* - see [processing information](#) on lead free modular contacts

Applications

- Handheld communications - mobile phones, pagers, cordless phones, GPS, PICs, radios
- Portable consumer equipment - PDAs, HPCs, notebook PCs, cameras, dictaphones, PICs, games

70AB/Male - Modular Contact

Material & Finishes

InsulatorGlass reinforced thermoplastic, UL 94V-0 rated, black
 ContactCopper alloy
 Finish
 Underplating.....20 ohms max.
 Contact Area.....2 % max. of TR

Operating Characteristics

Electrical
 Current Rating3 A/contact
 Voltage Rating.....60 V
 Contact Resistance.....25 milliohms max.
 Dielectric VoltageAC 500 V
 Insulating Resistance...1000 Mohms min.
 Operating Temperature...-55 °C to 125 °C
 Mechanical
 Normal Force/Finger40 grams min.
 Durability5,000 cycles min.

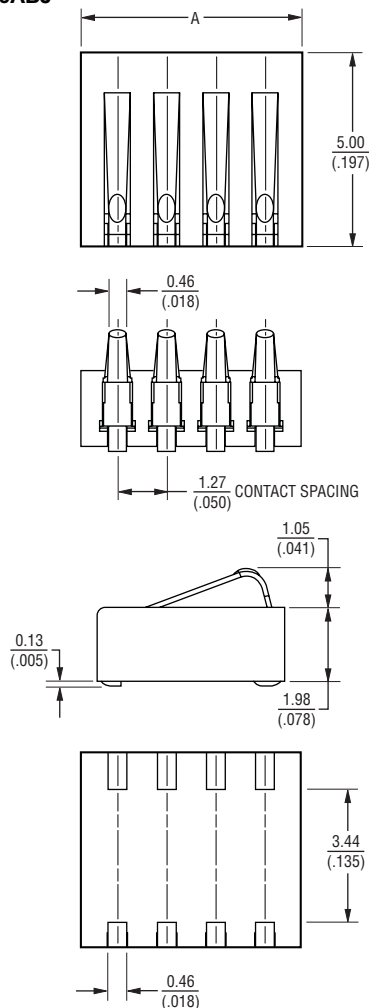
How to Order

70AB J - 4 - M 0 E

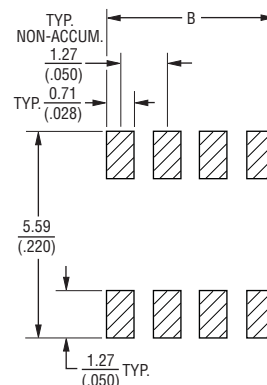
Model _____
 Terminal Style _____
 Number of Contacts (N) _____
 3 or 4
 Gender _____
 M = Male
 Options _____
 0 = Standard
 Packaging Option _____
 E = Embossed Tape (500 pcs. per reel)

Product Dimensions

70ABJ



Recommended PWB Layout



Number of Contacts	Dimension B
3	$\frac{5.79}{(.288)}$
4	$\frac{7.06}{(.278)}$

DIMENSIONS ARE: $\frac{\text{MILLIMETERS}}{\text{(INCHES)}}$

Number of Contacts	Dimension A
3	$\frac{4.39}{(.173)}$
4	$\frac{5.66}{(.223)}$



Asia-Pacific:

Tel: +886-2 2562-4117
 Fax: +886-2 2562-4116

Europe:

Tel: +41-41 768 5555
 Fax: +41-41 768 5510

The Americas:

Tel: +1-951 781-5500
 Fax: +1-951 781-5700

www.bourns.com

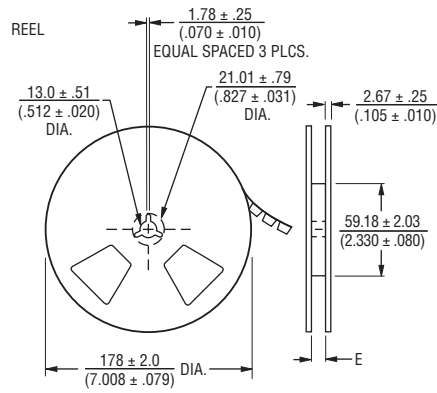
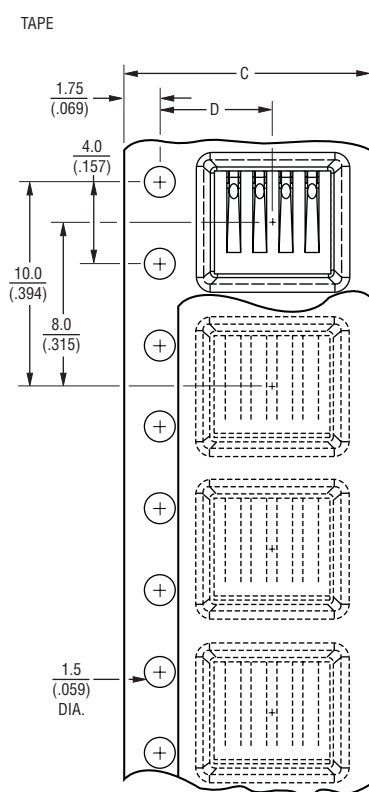
*RoHS Directive 2002/95/EC Jan 27 2003 including Annex. Specifications are subject to change without notice.

Customers should verify actual device performance in their specific applications.

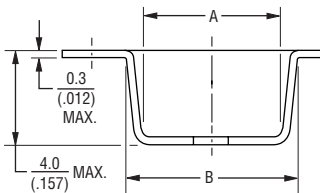
70AB/Male - Modular Contact

BOURNS®

Packaging Specifications



No. of Contacts	Dimension A	Dimension B	Dimension C	Dimension D	Dimension E
3	$\frac{4.77}{(.188)}$	$\frac{6.22}{(.245)}$	$\frac{12.0}{(.472)}$	$\frac{5.5}{(.217)}$	$\frac{12.4}{(.488)}$
4	$\frac{6.04}{(.238)}$	$\frac{7.50}{(.295)}$	$\frac{12.0}{(.472)}$	$\frac{5.5}{(.217)}$	$\frac{12.4}{(.488)}$



DIMENSIONS ARE: $\frac{\text{MILLIMETERS}}{\text{(INCHES)}}$