

Features

- Rechargeable battery-pack applications
- Precious metal contacts
- Tape & reel available
- RoHS compliant* - see [processing information](#) on lead free modular contacts

70AD/Female - Modular Contact

Materials & Finishes

Insulator Glass reinforced thermoplastic, UL 94V-0 rated, black
 Contact..... Copper alloy
 Finish
 Underplating 30 μ" - 60 μ" nickel
 Contact Area 30 μ" Au over nickel
 Termination..... Tin alloy
 (meets MIL-STD-202, method 208)

Operating Characteristics

Electrical
 Current Rating..... DC 3 A/contact
 Voltage Rating DC 30 V
 Contact Resistance..... 25 mΩ max.
 Dielectric Voltage AC 500 V
 Insulating Resistance..... 500 MW min.
 Operating Temperature
 -55 °C to 125 °C

Mechanical
 Durability 5,000 cycles

How to Order

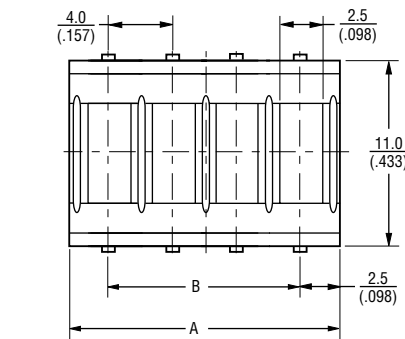
70AD J - 3 - F L 0 G

Model _____
 Terminal Style _____
 J = SMT
 H = Through-hole
 Number of Contacts _____
 2 through 6
 Gender _____
 F = Female
 Height _____
 L = Low Profile
 Options _____
 0 = Standard
 1 = Locator Pins (J style only)
 Packaging Option _____
 _ = Tube (240/N pcs. or 240 contacts per tube)
 G = Embossed Tape (500 pcs. per reel)

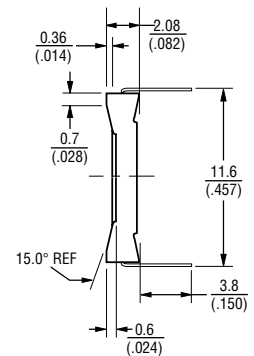
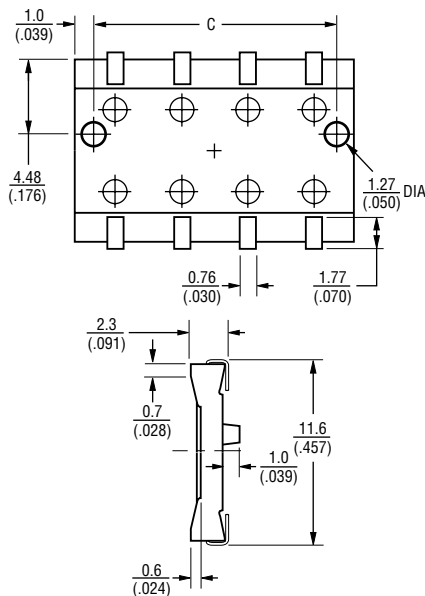
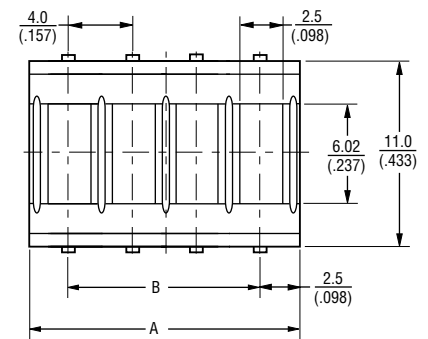
Number of Contacts	Dim. A	Dim. B	Dim. C
2	9.0 (.354)	4.0 (.157)	7.0 (.276)
3	13.0 (.512)	8.0 (.315)	11.0 (.433)
4	17.0 (.669)	12.0 (.472)	15.0 (.591)
5	21.0 (.827)	16.0 (.630)	19.0 (.748)
6	25.0 (.984)	20.0 (.787)	23.0 (.906)

Product Dimensions

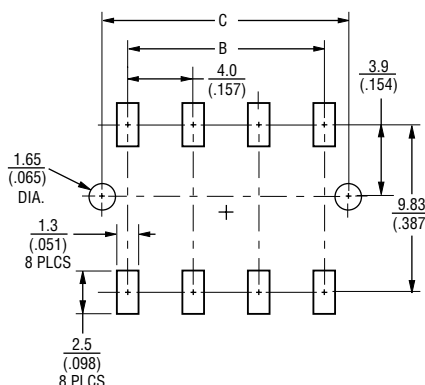
70ADJ



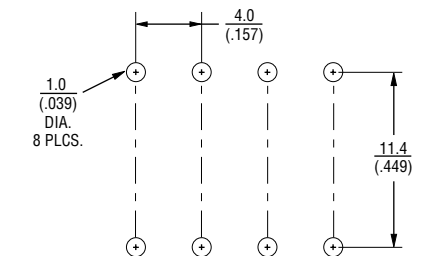
70ADH



70ADJ RECOMMENDED PWB MOUNTING PATTERN



70ADH RECOMMENDED PWB MOUNTING PATTERN



TOLERANCES: .03 (.012) UNLESS OTHERWISE NOTED

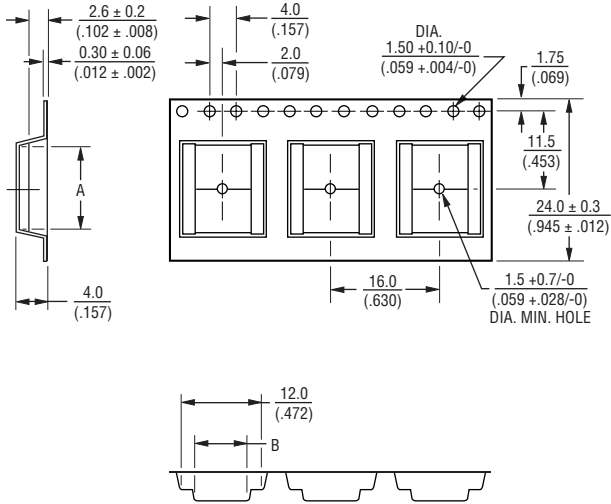
DIMENSIONS: $\frac{\text{MM}}{\text{(INCHES)}}$

*RoHS Directive 2002/95/EC Jan 27 2003 including Annex. Specifications are subject to change without notice. Customers should verify actual device performance in their specific applications.

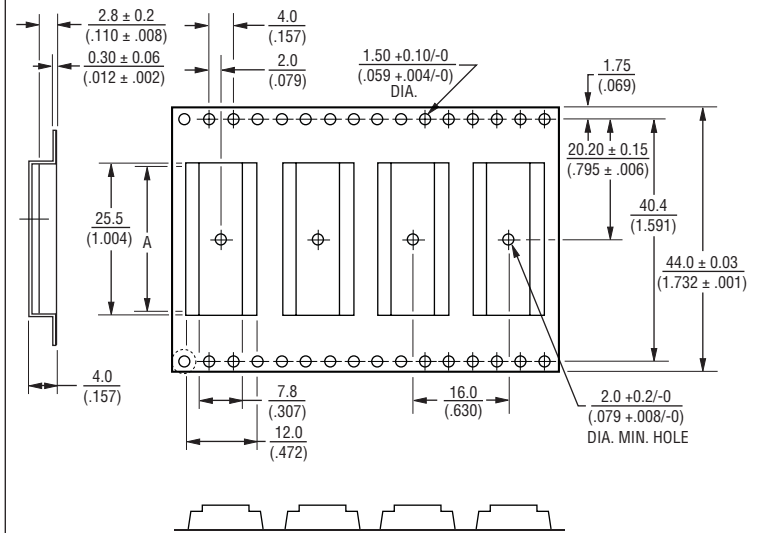
70AD/Female - Modular Contact

BOURNS®

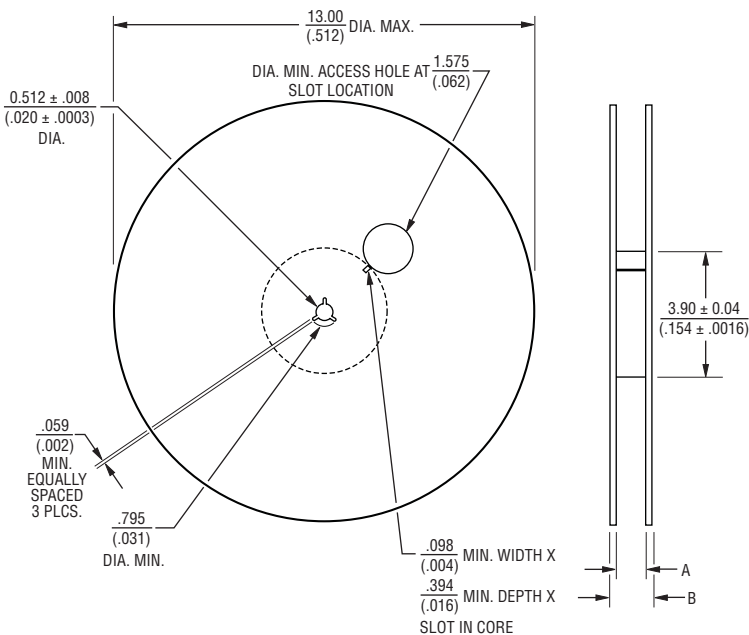
Packaging Specifications



No. of Contacts	Dimension A	Dimension B
2	$\frac{9.5}{(.374)}$	$\frac{8.3 \pm 0.2}{(.327 \pm .008)}$
3	$\frac{13.5}{(.531)}$	$\frac{8.3 \pm 0.2}{(.327 \pm .008)}$
4	$\frac{17.5}{(.689)}$	$\frac{7.8}{(.307)}$



No. of Contacts	Dimension A
5	$\frac{19.5}{(.768)}$
6	$\frac{25.5}{(1.004)}$



No. of Contacts	Dimension A	Dimension B
2	$\frac{.961}{(.038)}$	$\frac{1.197}{(.047)}$
3	$\frac{.961}{(.038)}$	$\frac{1.197}{(.047)}$
4	$\frac{.961}{(.038)}$	$\frac{1.197}{(.047)}$
5	$\frac{1.765}{(.069)}$	$\frac{1.98}{(.078)}$
6	$\frac{1.765}{(.069)}$	$\frac{1.98}{(.078)}$

DIMENSIONS: $\frac{\text{MM}}{\text{(INCHES)}}$

REV. 12/09

Specifications are subject to change without notice. Customers should verify actual device performance in their specific applications.