

Features

- Single pole/double throw
- Vertical adjust
- Rugged construction
- Board washable
- Wave solderable
- RoHS compliant*

7829 6 mm Through-hole Sealed Rotary Switch

Electrical Characteristics

Contact Rating
 Maximum Current 100 mA max.
 Maximum Voltage 16 V
 Contact Timing Non-shorting
 Contact Resistance 2 ohms max.

General Characteristics

Switch Type SPDT
 Operating Temperature Range
 -55 °C to +125 °C
 Storage Temperature Range
 -55 °C to +125 °C
 Thermal Shock 5 cycles
 -55 °C to +125 °C
 Seal Test 85 °C Fluorinert†

Mechanical Characteristics

Stop Strength 3.5 N.cm
 Positions 2

Environmental Characteristics

Vibration 30 G
 Shock 100 G
 Thermal Shock (5 cycles)
 -55 °C to +125 °C
 Humidity
 Insulation Resistance
 10 megohms min.
 Rotational Life
 -051 50 Cycles
 -023 2000 Cycles
 Maximum Soldering Heat 245 °C
 Standard Packaging 50 pcs/tube

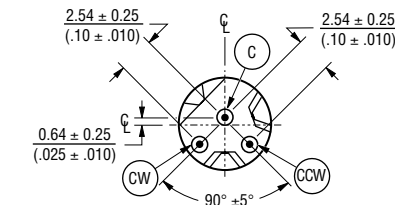
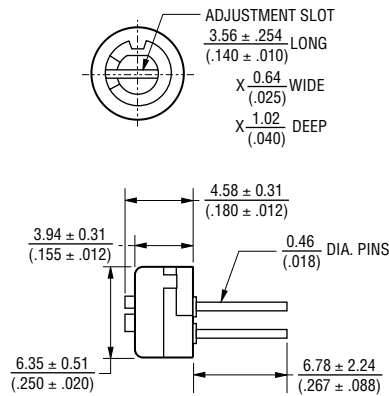
How to Order

7829 H - 1 - 051

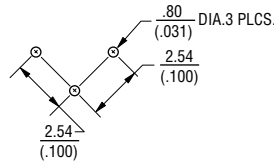
Model _____
 Terminal _____
 Switch Type _____
 1 = SPDT
 Rotational Life _____
 -051 = 50 Cycles
 -023 = 2000 Cycles

Product Dimensions

7829H



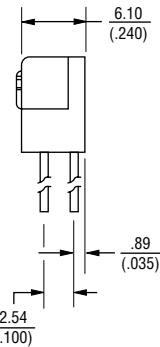
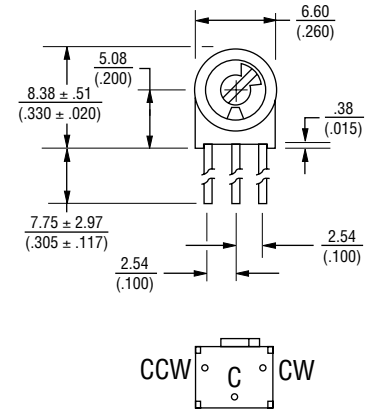
RECOMMENDED PCB LAYOUT



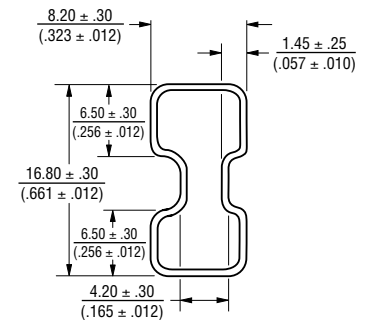
DIMENSIONS: $\frac{\text{MM}}{\text{(INCHES)}}$

TOLERANCES: ±2 EXCEPT WHERE NOTED.

7829S



Packaging Specifications



.TUBE LENGTH - 356 ± 1.50 MM.
 UNITS PACKAGED 50 PIECES PER TUBE.