

BOURNS®

Features

- Available in E12 series
- Low profile - Available in both 3.8mm and 4.7mm unit heights
- High current

Applications

- Input/output of DC/DC converters
- Power supplies for:
 - Portable communication equipment
 - Camcorders
 - LCD TVs
 - Car radios

SRR0804/0805 Series - Shielded Power Inductor

Electrical Specifications

Bourns Part No.	L (μ H)	Q nom.	Test Frequency Hz		SRF Typ. (MHz)	RDC Max. (Ω)	IDC Max. (A)
			L	Q			
SRR0804-5R0M	5.0 \pm 20%	20	1000	7.96M	50.0	0.080	1.70
- 7R5M	7.5 \pm 20%	20	1000	7.96M	40.0	0.100	1.40
- 100M	10 \pm 20%	38	1000	2.52M	32.0	0.120	1.20
- 120M	12 \pm 20%	38	1000	2.52M	28.0	0.150	1.10
- 150M	15 \pm 20%	38	1000	2.52M	25.0	0.170	1.00
- 180Y	18 \pm 15%	35	1000	2.52M	23.0	0.190	0.90
- 220Y	22 \pm 15%	30	1000	2.52M	22.0	0.250	0.80
- 270Y	27 \pm 15%	28	1000	2.52M	18.0	0.270	0.70
- 330Y	33 \pm 15%	26	1000	2.52M	17.0	0.300	0.65
- 390Y	39 \pm 15%	26	1000	2.52M	16.0	0.380	0.60
- 470K	47 \pm 10%	24	1000	2.52M	14.0	0.460	0.55
- 560K	56 \pm 10%	24	1000	2.52M	12.0	0.600	0.50
- 680K	68 \pm 10%	22	1000	2.52M	11.0	0.700	0.45
- 820K	82 \pm 10%	20	1000	2.52M	10.0	0.800	0.40
- 101K	100 \pm 10%	50	1000	0.796M	9.0	0.950	0.37
- 121K	120 \pm 10%	50	1000	0.796M	8.5	1.00	0.35
- 151K	150 \pm 10%	53	1000	0.796M	7.0	1.30	0.30
- 181K	180 \pm 10%	53	1000	0.796M	6.0	1.45	0.28
- 221K	220 \pm 10%	55	1000	0.796M	5.5	1.90	0.24
- 271K	270 \pm 10%	50	1000	0.796M	5.5	2.15	0.22
- 331K	330 \pm 10%	60	1000	0.796M	5.0	2.80	0.19
- 391K	390 \pm 10%	55	1000	0.796M	4.5	3.30	0.17
- 471K	470 \pm 10%	50	1000	0.796M	4.0	3.60	0.16

Bourns Part No.	L (μ H)	Q nom.	Test Frequency Hz		SRF Typ. (MHz)	RDC Max. (Ω)	IDC Max. (A)
			L	Q			
SRR0805-2R2M	2.2 \pm 20%	18	1000	7.96M	75.0	0.040	2.50
- 3R9M	3.9 \pm 20%	20	1000	7.96M	50.0	0.055	2.10
- 5R6M	5.6 \pm 20%	20	1000	7.96M	40.0	0.065	1.95
- 8R2M	8.2 \pm 20%	20	1000	7.96M	32.0	0.080	1.75
- 100M	10 \pm 20%	40	1000	2.52M	28.0	0.100	1.50
- 120M	12 \pm 20%	40	1000	2.52M	24.0	0.120	1.40
- 150M	15 \pm 20%	40	1000	2.52M	22.0	0.140	1.30
- 180Y	18 \pm 15%	40	1000	2.52M	19.0	0.160	1.20
- 220Y	22 \pm 15%	38	1000	2.52M	17.0	0.180	1.10
- 270Y	27 \pm 15%	35	1000	2.52M	15.5	0.200	1.00
- 330Y	33 \pm 15%	35	1000	2.52M	13.5	0.240	0.92
- 390Y	39 \pm 15%	35	1000	2.52M	12.0	0.260	0.84
- 470Y	47 \pm 15%	32	1000	2.52M	10.5	0.280	0.75
- 560K	56 \pm 10%	30	1000	2.52M	9.5	0.380	0.68
- 680K	68 \pm 10%	28	1000	2.52M	9.0	0.440	0.60
- 820K	82 \pm 10%	28	1000	2.52M	8.5	0.550	0.54
- 101K	100 \pm 10%	45	1000	0.796M	7.5	0.600	0.50
- 121K	120 \pm 10%	42	1000	0.796M	7.0	0.750	0.45
- 151K	150 \pm 10%	40	1000	0.796M	6.5	0.90	0.40
- 181K	180 \pm 10%	41	1000	0.796M	4.8	1.05	0.35
- 221K	220 \pm 10%	41	1000	0.796M	4.5	1.18	0.30
- 271K	270 \pm 10%	38	1000	0.796M	4.2	1.40	0.27
- 331K	330 \pm 10%	37	1000	0.796M	3.8	1.80	0.24
- 391K	390 \pm 10%	34	1000	0.796M	3.6	2.10	0.22
- 471K	470 \pm 10%	34	1000	0.796M	3.5	2.25	0.20
- 561K	560 \pm 10%	32	1000	0.796M	3.0	3.00	0.18
- 681K	680 \pm 10%	32	1000	0.796M	2.8	3.40	0.17
- 821K	820 \pm 10%	35	1000	0.796M	2.5	4.00	0.16
- 102K	1000 \pm 10%	35	1000	0.252M	2.2	5.00	0.15

General Specifications

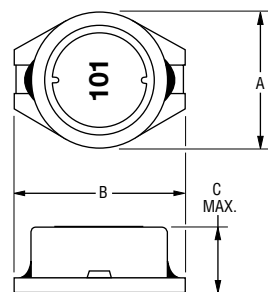
Test Voltage1V
 Reflow soldering230°C; 10 sec max.
 Operating Temperature-40°C to +105°C
 Storage Temperature-40°C to +125°C

Materials

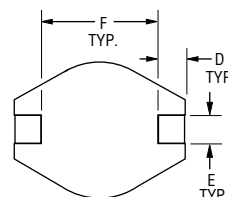
CoreFerrite DR&RI
 WireEnamelled copper
 BaseLCP E4008
 Terminal Electrode.....Tinned copper flat
 Temperature Rise.....40°C max.
 at rated IDC

Packaging1000 pcs. per reel

Product Dimensions

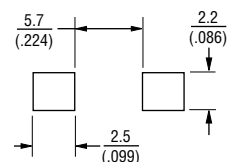


DIMENSIONS:
 METRIC
 (INCHES)



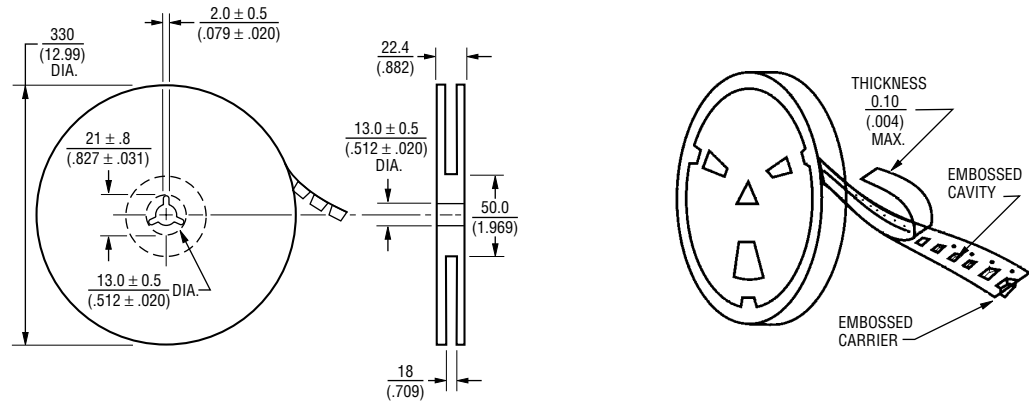
	SRR0804	SRR0805
A:	$\frac{8.0 \pm 0.2}{(.315 \pm .008)}$	$\frac{8.0 \pm 0.2}{(.315 \pm .008)}$
B:	$\frac{10.5 \pm 0.1}{(.413 \pm .004)}$	$\frac{10.5 \pm 0.1}{(.413 \pm .004)}$
C:	$\frac{3.8}{(.150)}$	$\frac{4.7}{(.185)}$
D:	$\frac{2.1}{(.082)}$	$\frac{2.1}{(.082)}$
E:	$\frac{2.0}{(.079)}$	$\frac{2.0}{(.079)}$
F:	$\frac{6.0}{(.236)}$	$\frac{6.0}{(.236)}$

Recommended Layout



SRR0804/0805 Series - Shielded Power Inductors

Packaging Specifications



DIMENSIONS: METRIC
 (INCHES)

