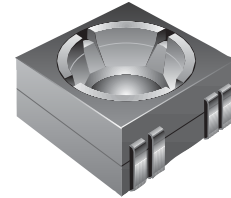




Product Obsolescence Memo

TRIMMERS

Bourns Manufacturers Representatives
Corporate Distributor Product Managers
Americas Sales Team
Asia Sales Team
Europe Sales Team



July, 2009

Bourns® Trimpot® Product Line TC73 Obsolescence

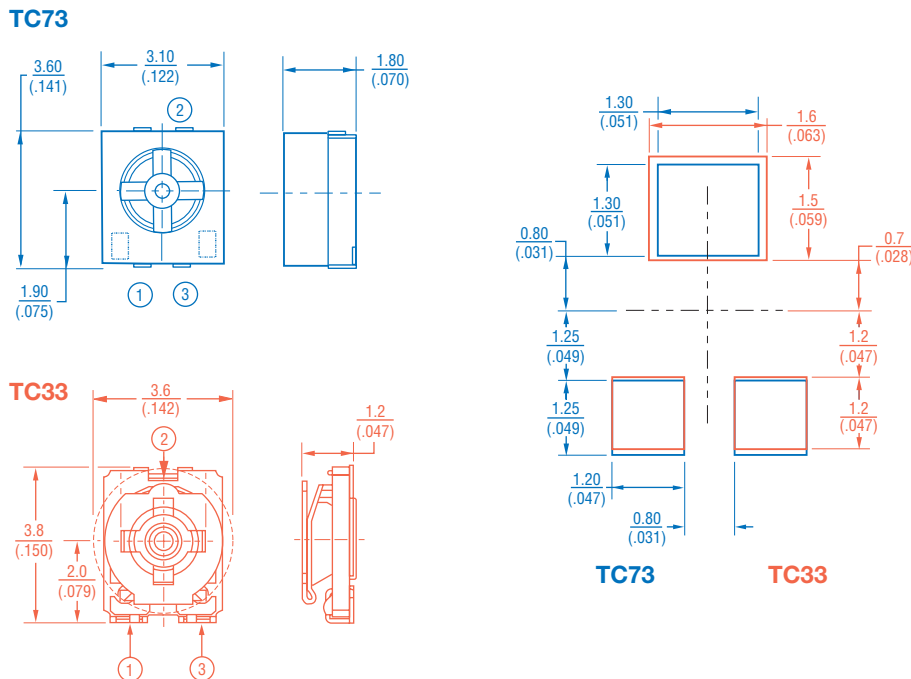
Due to the significant decrease in demand, Bourns is phasing out model **TC73**. The TC73 is an open-frame trimming potentiometer with a carbon resistance element. The recommended replacement is model **TC33**. The TC33 is manufactured with a cermet resistance element and offers tighter electrical and environmental specifications.

Orders for Model TC73 will be accepted until March 1, 2010. Last ship date will be April 1, 2010.

Crosses to the replacement product are outlined below. Should your application require additional assistance, please contact Bourns' techweb (techweb@bourns.com).

TC73W-1-xxxE TC33X-2-xxxE
TC73X-1-xxxE TC33X-2-xxxE

TC73W-2-xxxE..... TC33X-1-xxxE
TC73X-2-xxxE..... TC33X-1-xxxE



Best regards,
Emill Melliz
Product Line Manager
Bourns® Trimpot® Product Line
Resistive Products Division