



Features

- Formerly *J.W. Miller* model
- Height of 3.0 mm max.
- Current rating up to 3.0 A
- RoHS compliant*

Applications

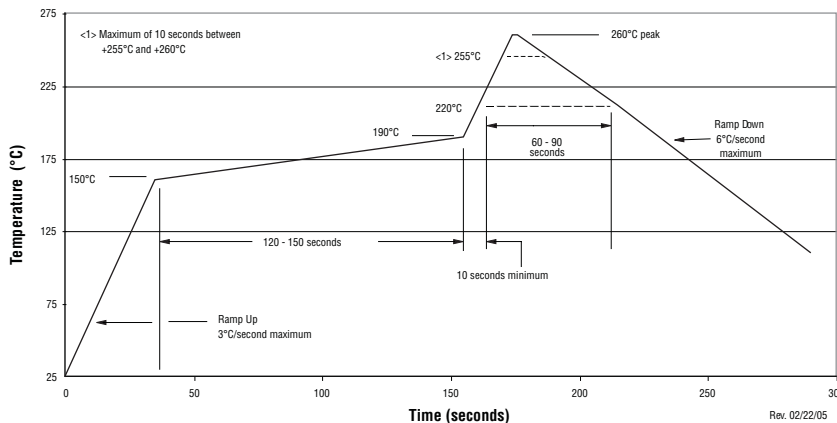
- Input/output of DC/DC converters
- Power supplies for:
 - Portable communication equipment
 - Camcorders
 - LCD TVs
 - Car radios

PM628S Series - Shielded SMD Power Inductors

Electrical Specifications

| Bourns Part No. | Inductance 100 kHz | | Q Ref. | Test Frequency (MHz) | SRF Typ. (MHz) | DCR Max. (mΩ) | I rms (A) | I sat (A) |
|-----------------|--------------------|--------|--------|----------------------|----------------|---------------|-----------|-----------|
| | (μH) | Tol. % | | | | | | |
| PM628S-3R0-RC | 3.0 | ±30 | 9 | 7.96 | 45 | 28 | 3.00 | 2.60 |
| PM628S-3R9-RC | 3.9 | ±30 | 9 | 7.96 | 47 | 32 | 2.45 | 2.30 |
| PM628S-5R0-RC | 5.0 | ±30 | 7.5 | 7.96 | 50 | 36 | 2.40 | 2.10 |
| PM628S-6R0-RC | 6.0 | ±30 | 9 | 7.96 | 48 | 40 | 2.30 | 2.00 |
| PM628S-7R3-RC | 7.3 | ±30 | 6 | 7.96 | 38 | 52 | 2.20 | 1.85 |
| PM628S-8R6-RC | 8.6 | ±30 | 8 | 2.52 | 33 | 56 | 2.10 | 1.82 |
| PM628S-100-RC | 10 | ±30 | 11 | 2.52 | 29 | 65 | 2.00 | 1.70 |
| PM628S-120-RC | 12 | ±30 | 10 | 2.52 | 24 | 70 | 1.90 | 1.50 |
| PM628S-150-RC | 15 | ±30 | 9.5 | 2.52 | 23 | 78 | 1.70 | 1.30 |
| PM628S-180-RC | 18 | ±30 | 9 | 2.52 | 21 | 85 | 1.50 | 1.10 |
| PM628S-220-RC | 22 | ±30 | 8.5 | 2.52 | 19 | 115 | 1.40 | 1.08 |
| PM628S-270-RC | 27 | ±30 | 9 | 2.52 | 19 | 130 | 1.20 | 1.00 |
| PM628S-330-RC | 33 | ±30 | 10 | 2.52 | 14 | 155 | 1.15 | 0.92 |
| PM628S-390-RC | 39 | ±30 | 10 | 2.52 | 17 | 195 | 1.00 | 0.75 |
| PM628S-470-RC | 47 | ±30 | 10 | 2.52 | 11 | 235 | 0.92 | 0.72 |
| PM628S-560-RC | 56 | ±30 | 10 | 0.796 | 15 | 260 | 0.85 | 0.65 |
| PM628S-680-RC | 68 | ±30 | 11 | 0.796 | 10.5 | 300 | 0.80 | 0.60 |
| PM628S-820-RC | 82 | ±30 | 9 | 0.796 | 14 | 400 | 0.70 | 0.56 |
| PM628S-101-RC | 100 | ±30 | 8.5 | 0.796 | 7 | 500 | 0.58 | 0.55 |

Soldering Profile



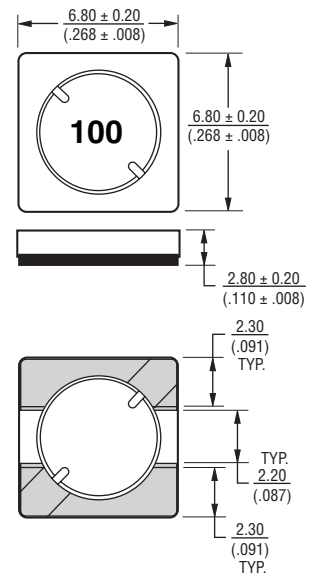
General Specifications

Test Voltage 0.1 V, 100 KHz
 Reflow Soldering 230 °C; 50 sec max.
 Operating Temperature
 -40 °C to +125 °C
 (Temperature rise included)
 Storage Temperature
 -40 °C to +125 °C
 Resistance to Soldering Heat
 260 °C for 10 sec.

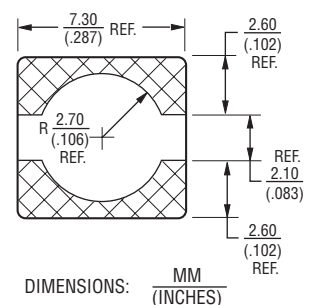
Materials

Core Material Ferrite
 Wire Enameled Copper
 Adhesive Epoxy Resin
 Terminal Ag/Ni/Sn
 Rated Current Ind. drop of 35 % typ.
 at Isat
 Temperature Rise 30 °C typ. at Isat
 Packaging 1500 pcs. per reel

Product Dimensions



Recommended Layout

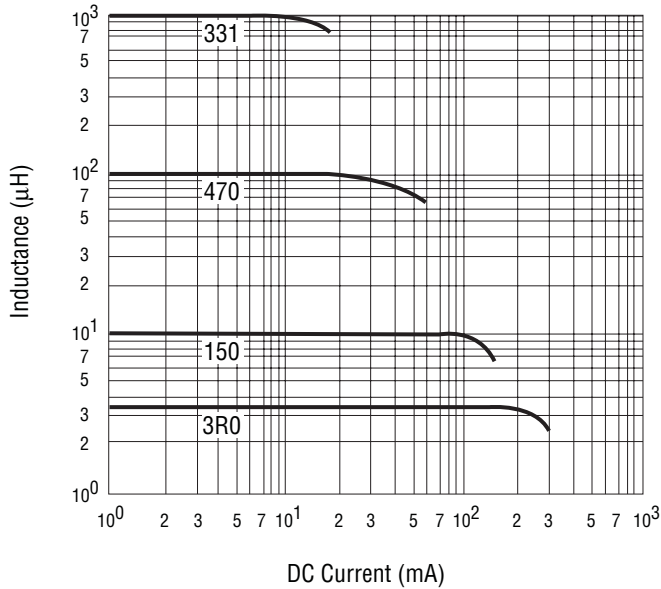


*RoHS Directive 2002/95/EC Jan 27 2003 including Annex.
 Specifications are subject to change without notice.
 Customers should verify actual device performance in their specific applications

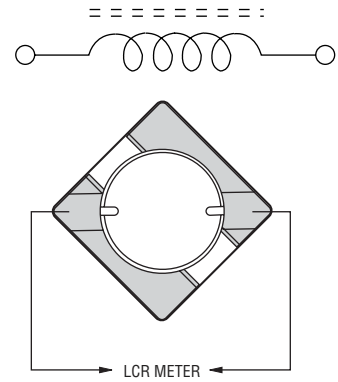
PM628S Series - Shielded SMD Power Inductors

BOURNS®

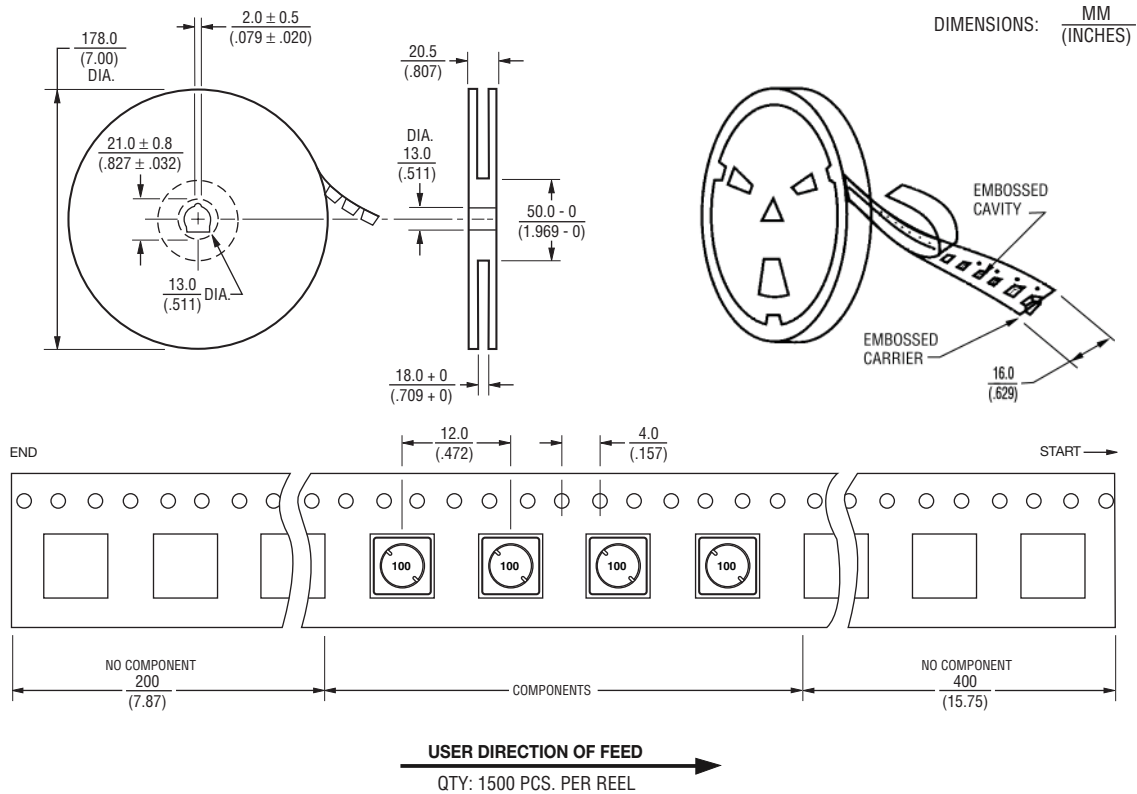
Inductance vs. Current



Electrical Schematic



Packaging Specifications



REV. 05/09

Specifications are subject to change without notice.
Customers should verify actual device performance in their specific applications