

# Shielded, SMT Power Inductors

## Special Features

- High current capacity
- Magnetic shielded for low radiation
- Ferrite bobbin core
- Low core loss for high frequency power applications
- Compact size
- Large terminal surface for good PCB bonding
- Easy access for reflow soldering inspection
- Operating temperature -30 to +100 °C
- Tape & reel packaged 1500/reel

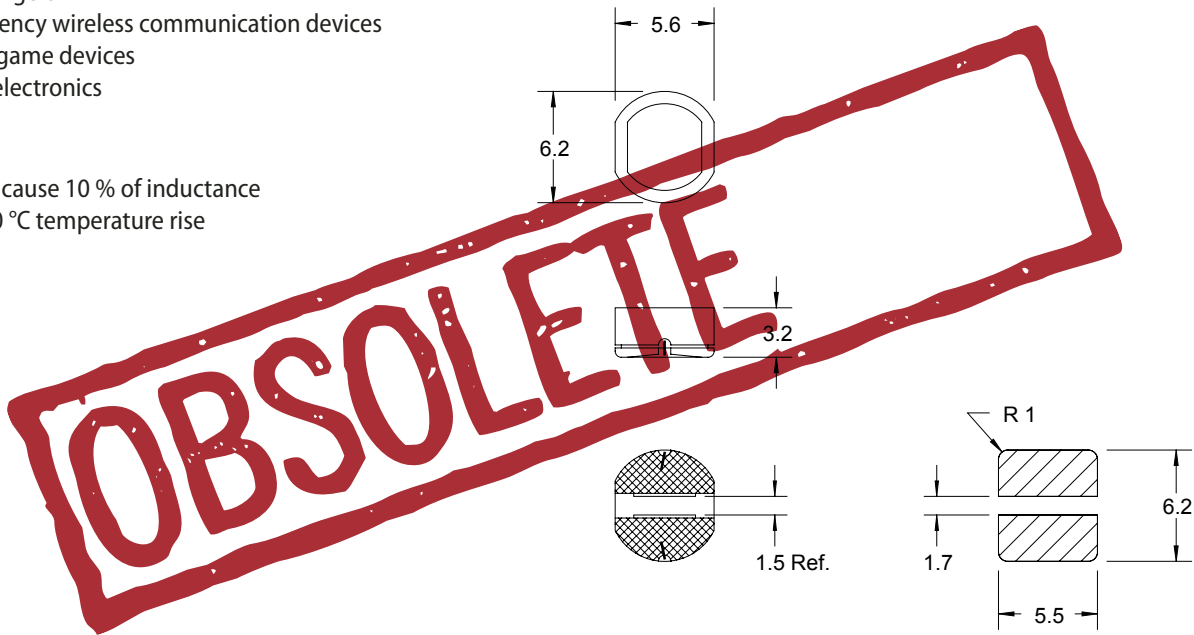
## Typical Applications

- Desktop, notebook computers, servers
- Network hubs, bridges, routers
- xDSL, PBX base stations
- PDAs, MP3 players
- Digital TVs, DVDs, cable modems, DSS set-top boxes
- Battery chargers
- High frequency wireless communication devices
- Electronic game devices
- Industrial electronics

## Notes

\* Current to cause 10 % of inductance drop, or 40 °C temperature rise

PM63SB Series					
Part Number	L (μH) ±20 %	Test Freq.	SRF (MHz) Typ.	DCR (Ω) Max.	I, DC* (A)
PM63SB-100M-RC	10	2.52MHz	35	0.14	1.00
PM63SB-120M-RC	12	2.52MHz	32	0.16	0.94
PM63SB-150M-RC	15	2.52MHz	29	0.18	0.86
PM63SB-180M-RC	18	2.52MHz	26	0.25	0.78
PM63SB-220M-RC	22	2.52MHz	23	0.32	0.76
PM63SB-270M-RC	27	2.52MHz	20	0.36	0.64
	± 15 %				
PM63SB-330L-RC	33	2.52MHz	18	0.41	0.61
PM63SB-390L-RC	39	2.52MHz	17	0.47	0.53
PM63SB-470L-RC	47	2.52MHz	15	0.51	0.50
PM63SB-560L-RC	56	2.52MHz	14	0.72	0.46
PM63SB-680L-RC	68	2.52MHz	12	0.82	0.42



Dimensions: mm  
Tolerance: +/- 0.3

Pad Layout