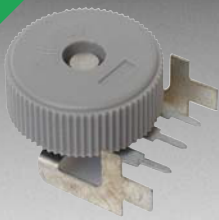


*RoHS COMPLIANT



BOURNS®

Features

- Edge control
- Various knurled knobs are tooled
- Additional models and versions available
- Carbon resistive element



This model is not recommended for new designs.

0074 - Rotary Potentiometer

Characteristics

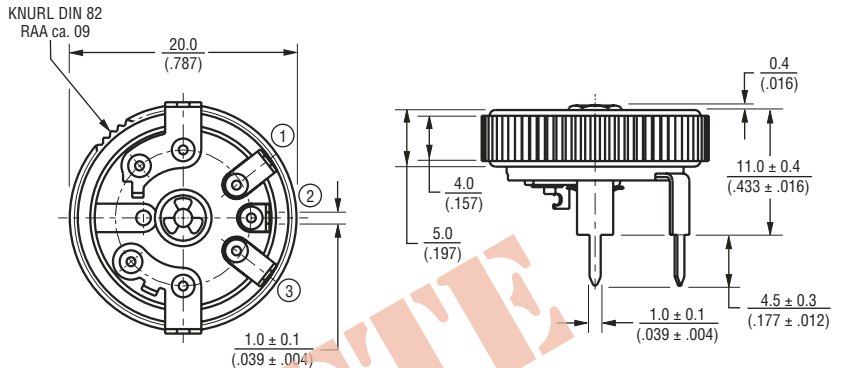
Mechanical Angle..... $240 \pm 10^\circ$
 Starting Torque.....0.7 to 2.5 Ncm
 End Stop Strength.....>30 Ncm
 Resistance Range
100 ohms to 4.7 megohms
 Resistance Taper.....Linear
 Power Rating.....0.20 W
 Temperature Range..... -25°C to $+70^\circ\text{C}$
 Rotational Life.....10,000 cycles

Standard Resistance Table

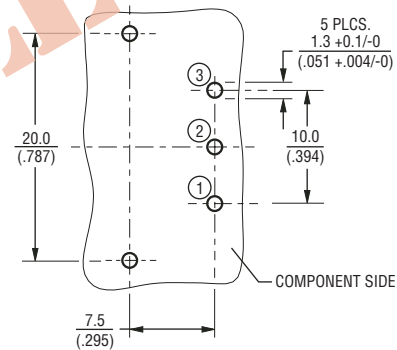
Resistance (Ohms)	Resistance Code
100	101
220	221
470	471
1,000	102
2,200	222
4,700	472
10,000	103
22,000	223
47,000	473
100,000	104
220,000	224
470,000	474
1,000,000	105
2,200,000	225
4,700,000	475

Product Dimensions

0074-600



Recommended PCB Layout



How to Order

0074 - 600 - A B 103

Model Type _____
 • 0074

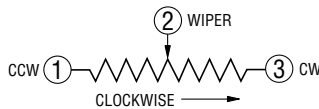
Terminal Style and Knob Version _____
 • 600 (Other knobs available upon request)

Independent Linearity _____
 A = ±5 %

Element Taper _____
 B = Linear Carbon ±20 %
 M = Linear Carbon ±30 %

Resistance Code _____

Other versions available upon request.



DIMENSIONS ARE: $\frac{\text{MM}}{(\text{INCHES})}$