

Features

- DC to 2.2 GHz
- Terminals for PCB placement
- Low VSWR
- Aluminum Nitride ceramic
- High power
- RoHS compliant*

Applications

- RF amplifiers
- Attenuators
- Antenna feeds
- Wilkinson dividers

CHF2010xNP Series 10 W Power RF Chip Termination/Resistor

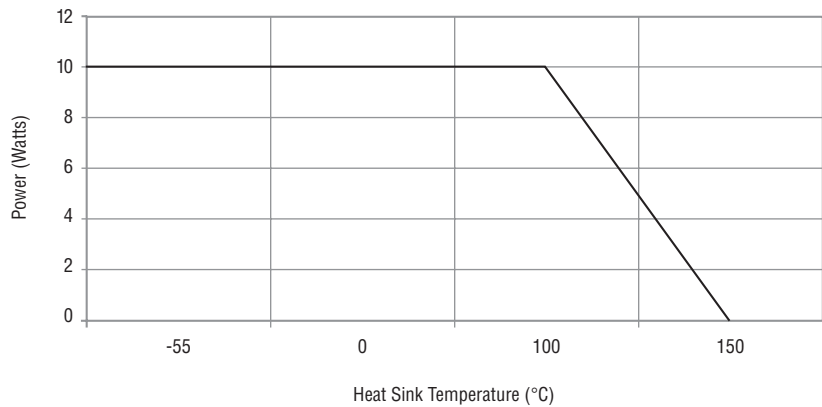
General Specifications

| | |
|----------------------|---------------------|
| Substrate | ALN |
| Resistive Film | Thick-Film |
| Terminals | NiAu |
| Capacitance | 0.75 pF |
| Resistance | |
| CHF2010CNP500L | 50 Ω |
| CHF2010CNP101R | 100 Ω |
| CHF2010DNP101R | 100 Ω |
| Tolerance | |
| CHF2010CNP500L | ±5 % |
| CHF2010CNP101R | ±5 % |
| CHF2010DNP101R | ±2 % |
| Packaging | |
| Tape & Reel | 2000 pcs./10 " reel |
| Bulk | 100 pcs./bag |

Absolute Ratings

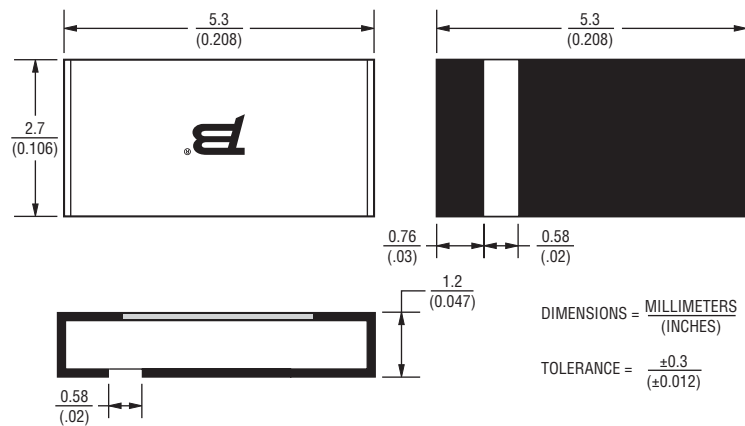
| | |
|----------------------|-------------|
| Power | 10 W |
| Frequency | |
| CHF2010CNP500L | 2 GHz |
| CHF2010CNP101R | 2.2 GHz |
| CHF2010DNP101R | 2.2 GHz |
| VSWR | 1.2 Maximum |

Characteristic Curve

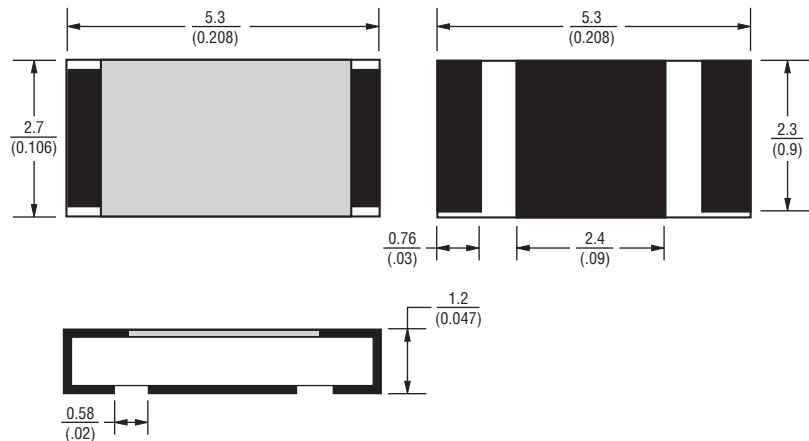


Product Dimensions

CHF2010CNP500L



CHF2010CNP101R & CHF2010DNP101R



Asia-Pacific:
Tel: +886-2 2562-4117
Fax: +886-2 2562-4116

Europe:
Tel: +41-41 768 5555
Fax: +41-41 768 5510

The Americas:
Tel: +1-951 781-5500
Fax: +1-951 781-5700

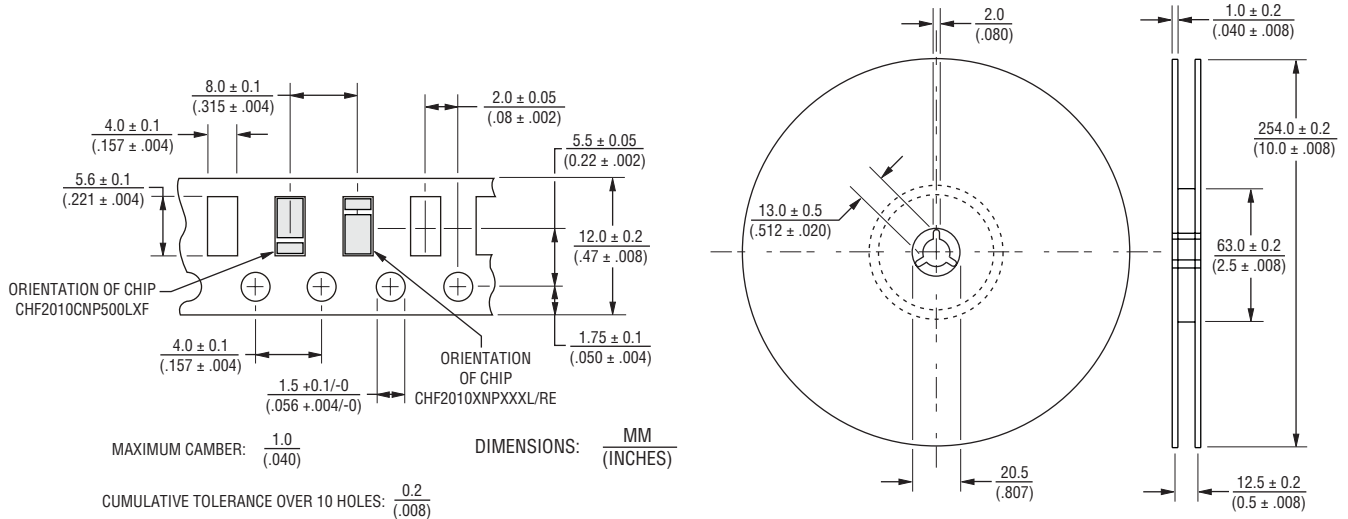
www.bourns.com

*RoHS Directive 2002/95/EC Jan 27 2003 including Annex.
Specifications are subject to change without notice.
Customers should verify actual device performance in their specific applications

CHF2010xNP Series 10 W Power RF Chip Termination/Resistor



Packaging Dimensions



How to Order

CHF 2010 C N P 500 L X E

Model _____

Package _____

Version _____
 C = 5 % Tolerance
 D = 2 % Tolerance

Substrate _____

Mount _____
 P = Printed Circuit Board

Resistance Code _____
 500 = 50 Ohm
 101 = 100 Ohm

Type _____
 L = Termination (One Lead)
 R = Resistor (Two Leads)

Plating _____
 X = NiAu

Packaging _____
 Blank = Bulk (100 pcs./bag)
 E = Tape & Reel (2,000 pcs./10" reel, Orientation of Input Terminal Away from Sprocket)
 *F = Tape & Reel (2,000 pcs./10" reel, Orientation of Input Terminal Facing from Sprocket)

*Packaging Option F is only available on CHF2010CNP500LXF.