




## Features

- Hybrid design
- Low leakage
- Bidirectional protection
- Low capacitance
- UL Type 5 Recognized 
- RoHS compliant\*



## GMOV™ Series – 14 & 20 mm Hybrid Protection Component

### General Information

Bourns combines its patented GDT with FLAT® technology and a Metal Oxide Varistor (MOV) to create a new and innovative GMOV™ Series Hybrid Protection Component. By combining the best features of both MOV and GDT technologies, the GMOV™ Series achieves high performance as a long life protector with low capacitance and, most importantly, very low leakage. The GMOV™ Series is ideally suited for any number of AC and DC power applications where a high level of performance is required over time.

### Additional Information

Click these links for more information:



### Absolute Maximum Ratings (@ T<sub>A</sub> = 25 °C Unless Otherwise Noted)

Parameter	Symbol	Min.	Typ.	Max.	Unit
Operating Temperature	TOPR	-40	25	+85	°C
Storage Temperature	TSTG	-40	25	+105	°C

### Electrical Characteristics (@ T<sub>A</sub> = 25 °C Unless Otherwise Noted)

Bourns Part No.	Operating				Protection						
	Max. Continuous Operating Voltage (MCOV)		Max. Leakage @ MCOV	Max. Capacitance	I <sub>nom</sub> UL 1449/4th.	I <sub>max</sub>	Ring Wave Surge IEEE 62.41	Protection Level Current Class (1) IEC 61051-1		Clamp Transition Time	Energy 8/20 μs
	V <sub>rms</sub>	V <sub>dc</sub>	A <sub>rms</sub>	1 MHz	15 Ops.	1 Op.	200 A	Max.	Typ.		
	V	V	μA	pF	A	A	Ops.	V <sub>fp</sub>	V <sub>c</sub>	μs	J
GMOV-14D450K	45	56	< 1	4	3,000	6,000	± 250	900	150	0.3	24
GMOV-14D500K	50	65	< 1	4	3,000	6,000	± 250	800	150	0.3	27
GMOV-14D650K	65	85	< 1	4	3,000	6,000	± 250	800	185	0.3	33
GMOV-14D950K	95	125	< 1	4	3,000	6,000	± 250	800	270	0.3	53
GMOV-14D111K	115	150	< 1	4	3,000	6,000	± 250	800	320	0.3	60
GMOV-14D131K	130	170	< 1	4	3,000	6,000	± 250	800	360	0.3	70
GMOV-14D141K	140	180	< 1	4	3,000	6,000	± 250	950	380	0.3	78
GMOV-14D151K	150	200	< 1	4	3,000	6,000	± 250	950	420	0.3	84
GMOV-14D171K	175	225	< 1	4	3,000	6,000	± 250	950	470	0.3	99
GMOV-14D231K	230	300	< 1	4	3,000	6,000	± 250	1,300	620	0.3	130
GMOV-14D251K	250	320	< 1	4	3,000	6,000	± 250	1,300	675	0.3	140
GMOV-14D271K	275	350	< 1	4	3,000	6,000	± 250	1,300	730	0.3	155
GMOV-14D301K	300	385	< 1	4	3,000	6,000	± 250	1,300	800	0.3	175
GMOV-14D321K	320	415	< 1	4	3,000	6,000	± 250	1,300	875	0.3	180
GMOV-20D450K	45	56	< 1	4	5,000	10,000	± 250	950	150	0.3	49
GMOV-20D500K	50	65	< 1	4	5,000	10,000	± 250	900	150	0.3	56
GMOV-20D650K	65	85	< 1	4	5,000	10,000	± 250	900	185	0.3	70
GMOV-20D950K	95	125	< 1	4	5,000	10,000	± 250	900	270	0.3	106
GMOV-20D111K	115	150	< 1	4	5,000	10,000	± 250	950	320	0.3	130
GMOV-20D131K	130	170	< 1	4	5,000	10,000	± 250	950	360	0.3	140
GMOV-20D141K	140	180	< 1	4	5,000	10,000	± 250	950	380	0.3	155
GMOV-20D151K	150	200	< 1	4	5,000	10,000	± 250	950	420	0.3	168
GMOV-20D171K	175	225	< 1	4	5,000	10,000	± 250	950	470	0.3	190
GMOV-20D231K	230	300	< 1	4	5,000	10,000	± 250	1,300	620	0.3	255
GMOV-20D251K	250	320	< 1	4	5,000	10,000	± 250	1,300	675	0.3	275
GMOV-20D271K	275	350	< 1	4	5,000	10,000	± 250	1,300	730	0.3	305
GMOV-20D301K	300	385	< 1	4	5,000	10,000	± 250	1,300	800	0.3	350
GMOV-20D321K	320	415	< 1	4	5,000	10,000	± 250	1,300	875	0.3	360

(1) Front Level Protection (V<sub>fp</sub>) defined as measured with 10 % of peak current in accordance with IEC 61051-1.

\*RoHS Directive 2015/863, Mar 31, 2015 and Annex.

Specifications are subject to change without notice.

Users should verify actual device performance in their specific applications.

The products described herein and this document are subject to specific legal disclaimers as set forth on the last page of this document, and at [www.bourns.com/docs/legal/disclaimer.pdf](http://www.bourns.com/docs/legal/disclaimer.pdf).



**WARNING Cancer and Reproductive Harm**  
[www.P65Warnings.ca.gov](http://www.P65Warnings.ca.gov)

## Applications

### AC Line Protection

- White goods
- Power line communications
- Smoke alarm systems
- High value consumer goods
- UL1449 SPD

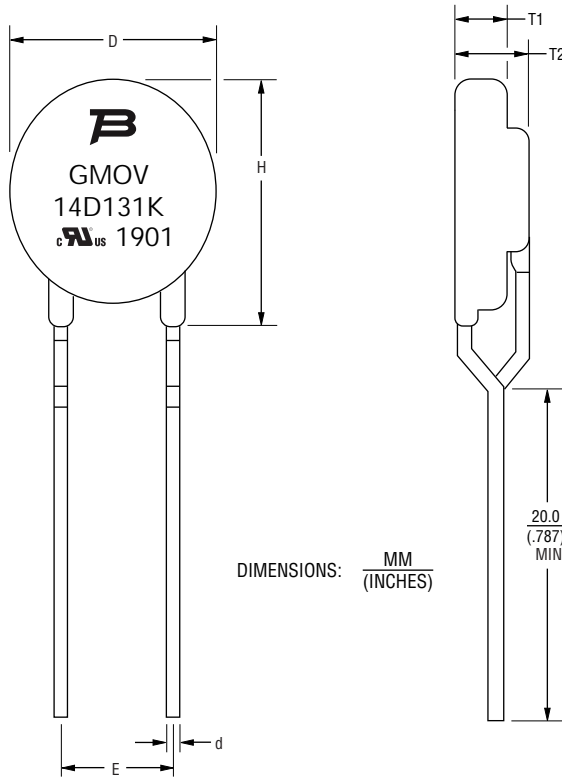
### DC Line Protection

- Solar inverters
- Power supplies
- Distribution systems



# GMOV™ Series – 14 & 20 mm Hybrid Protection Component **BOURNS®**

### Product Dimensions



DIMENSIONS:  $\frac{\text{MM}}{\text{(INCHES)}}$

Dimension	GMOV-14DxxxK	GMOV-20DxxxK
D (Max.)	$\frac{16.5}{(.649)}$	$\frac{23.0}{(.906)}$
H (Max.)	$\frac{20.0}{(.787)}$	$\frac{26.0}{(1.024)}$
T1 (Max.)	$\frac{5.0}{(.197)}$	$\frac{6.0}{(.236)}$
T2 (Max.)	$\frac{8.0}{(.315)}$	$\frac{9.0}{(.354)}$
d	$\frac{0.8 \pm 0.1}{(.031 \pm .004)}$	$\frac{1.0 \pm 0.1}{(.039 \pm .004)}$
E	$\frac{7.5 \pm 1.0}{(.295 \pm .039)}$	$\frac{10.0 \pm 1.0}{(.394 \pm .039)}$

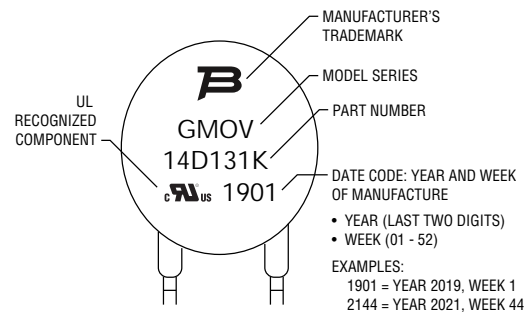
### Industry Standard Compliance

Standard	UL 1449 4th Edition
File Number	<a href="#">E313168</a>

### Typical Part Marking

Bourns Part Number	Bourns Part Marking
GMOV-14D450K	14D450K
GMOV-14D500K	14D500K
GMOV-14D650K	14D650K
GMOV-14D950K	14D950K
GMOV-14D111K	14D111K
GMOV-14D131K	14D131K
GMOV-14D141K	14D141K
GMOV-14D151K	14D151K
GMOV-14D171K	14D171K
GMOV-14D231K	14D231K
GMOV-14D251K	14D251K
GMOV-14D271K	14D271K
GMOV-14D301K	14D301K
GMOV-14D321K	14D321K

GMOV-20D450K	20D450K
GMOV-20D500K	20D500K
GMOV-20D650K	20D650K
GMOV-20D950K	20D950K
GMOV-20D111K	20D111K
GMOV-20D131K	20D131K
GMOV-20D141K	20D141K
GMOV-20D151K	20D151K
GMOV-20D171K	20D171K
GMOV-20D231K	20D231K
GMOV-20D251K	20D251K
GMOV-20D271K	20D271K
GMOV-20D301K	20D301K
GMOV-20D321K	20D321K



### Environmental Specifications

Moisture Sensitivity Level	1
ESD Classification (HBM)	N/A

Specifications are subject to change without notice.

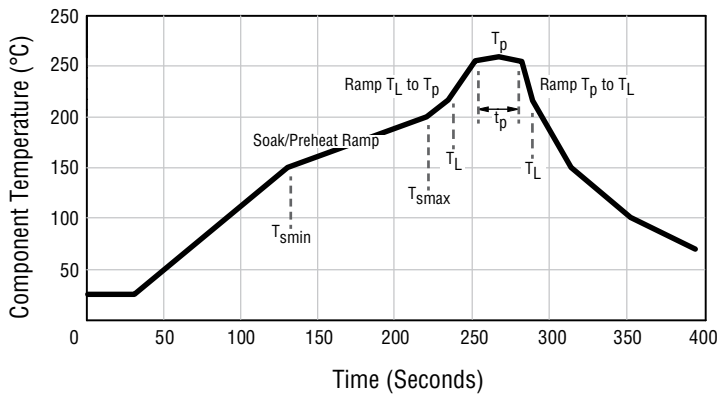
Users should verify actual device performance in their specific applications.

The products described herein and this document are subject to specific legal disclaimers as set forth on the last page of this document, and at [www.bourns.com/docs/legal/disclaimer.pdf](http://www.bourns.com/docs/legal/disclaimer.pdf).

# GMOV™ Series – 14 & 20 mm Hybrid Protection Component **BOURNS®**

## Solder Profile

Users should ensure that they do not exceed the scope of IPC/JEDEC J-STD-020 (Pb-Free) during solder assembly.

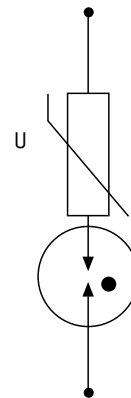


Profile Feature	Profile Limits
Preheat temperature min. ( $T_{smin}$ )	150 °C
Preheat temperature max. ( $T_{smax}$ )	200 °C
Ramp time ( $T_{smax} - T_{smin}$ )	60 – 120 seconds
Ramp-up rate ( $T_L$ to $T_p$ )	3 °C / second max.
Liquidus temperature ( $T_L$ )	217 °C
Time maintained above $T_L$	60 – 150 seconds
Peak package body temperature	260 °C
Time within 5 °C of peak temperature ( $T_p$ )	30 seconds max.
Ramp-down rate ( $T_p$ to $T_L$ )	6 °C / second max.
Time from 25 °C to peak temperature	8 minutes max.

## Construction



## Circuit Diagram



## How to Order

**GMOV - nnD nn (n) K -**

Model Designator \_\_\_\_\_  
 GMOV™ = GDT/MOV Hybrid Protection Component

Disc Diameter \_\_\_\_\_  
 14D = 14 mm  
 20D = 20 mm

RMS Voltage \_\_\_\_\_  
 See Electrical Characteristics Table

Multiplier of Voltage Digits \_\_\_\_\_  
 0 = No multiplier  
 1 = nn times 10<sup>1</sup>

MOV Disc Voltage Tolerance \_\_\_\_\_  
 K = 10 %

Packaging \_\_\_\_\_  
 Blank = Bulk

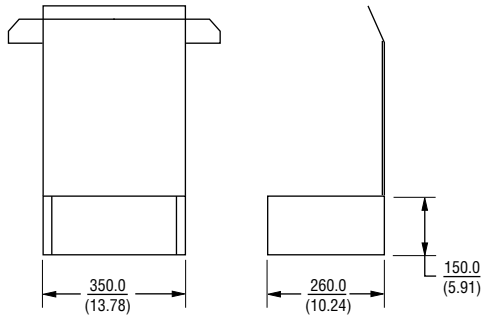
Specifications are subject to change without notice.  
 Users should verify actual device performance in their specific applications.  
 The products described herein and this document are subject to specific legal disclaimers as set forth on the last page of this document, and at [www.bourns.com/docs/legal/disclaimer.pdf](http://www.bourns.com/docs/legal/disclaimer.pdf).

## GMOV™ Series – 14 & 20 mm Hybrid Protection Component

# BOURNS®

### Packaging Information - 14 mm Disc

#### BULK



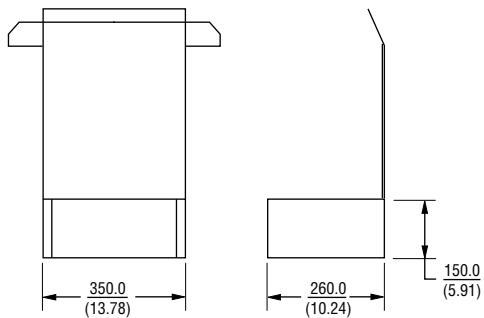
GMOV-14DxxxK: 1600 pcs. per carton

- 200 pcs. per bag;
- 2 bags per inner box;
- 4 inner boxes per carton

DIMENSIONS:  $\frac{\text{MM}}{\text{(INCHES)}}$

### Packaging Information - 20 mm Disc

#### BULK



GMOV-20DxxxK: 1000 pcs. per carton

- 250 pcs. per bag;
- 1 bag per inner box;
- 4 inner boxes per carton

DIMENSIONS:  $\frac{\text{MM}}{\text{(INCHES)}}$

# BOURNS®

Asia-Pacific: Tel: +886-2 2562-4117 • Email: asiacus@bourns.com

EMEA: Tel: +36 88 885 877 • Email: eurocus@bourns.com

The Americas: Tel: +1-951 781-5500 • Email: americus@bourns.com

[www.bourns.com](http://www.bourns.com)

REV. A – 03/19

Specifications are subject to change without notice.

Users should verify actual device performance in their specific applications.

The products described herein and this document are subject to specific legal disclaimers as set forth on the last page of this document, and at [www.bourns.com/docs/legal/disclaimer.pdf](http://www.bourns.com/docs/legal/disclaimer.pdf).

This legal disclaimer applies to purchasers and users of Bourns® products manufactured by or on behalf of Bourns, Inc. and its affiliates (collectively, "Bourns").

Unless otherwise expressly indicated in writing, Bourns® products and data sheets relating thereto are subject to change without notice. Users should check for and obtain the latest relevant information and verify that such information is current and complete before placing orders for Bourns® products.

The characteristics and parameters of a Bourns® product set forth in its data sheet are based on laboratory conditions, and statements regarding the suitability of products for certain types of applications are based on Bourns' knowledge of typical requirements in generic applications. The characteristics and parameters of a Bourns® product in a user application may vary from the data sheet characteristics and parameters due to (i) the combination of the Bourns® product with other components in the user's application, or (ii) the environment of the user application itself. The characteristics and parameters of a Bourns® product also can and do vary in different applications and actual performance may vary over time. Users should always verify the actual performance of the Bourns® product in their specific devices and applications, and make their own independent judgments regarding the amount of additional test margin to design into their device or application to compensate for differences between laboratory and real world conditions.

Unless Bourns has explicitly designated an individual Bourns® product as meeting the requirements of a particular industry standard (e.g., ISO/TS 16949) or a particular qualification (e.g., UL listed or recognized), Bourns is not responsible for any failure of an individual Bourns® product to meet the requirements of such industry standard or particular qualification. Users of Bourns® products are responsible for ensuring compliance with safety-related requirements and standards applicable to their devices or applications.

Bourns® products are not recommended, authorized or intended for use in nuclear, lifesaving, life-critical or life-sustaining applications, nor in any other applications where failure or malfunction may result in personal injury, death, or severe property or environmental damage. Unless expressly and specifically approved in writing by two authorized Bourns representatives on a case-by-case basis, use of any Bourns® products in such unauthorized applications might not be safe and thus is at the user's sole risk. Life-critical applications include devices identified by the U.S. Food and Drug Administration as Class III devices and generally equivalent classifications outside of the United States.

Bourns expressly identifies those Bourns® standard products that are suitable for use in automotive applications on such products' data sheets in the section entitled "Applications." Unless expressly and specifically approved in writing by two authorized Bourns representatives on a case-by-case basis, use of any other Bourns® standard products in an automotive application might not be safe and thus is not recommended, authorized or intended and is at the user's sole risk. If Bourns expressly identifies a sub-category of automotive application in the data sheet for its standard products (such as infotainment or lighting), such identification means that Bourns has reviewed its standard product and has determined that if such Bourns® standard product is considered for potential use in automotive applications, it should only be used in such sub-category of automotive applications. Any reference to Bourns® standard product in the data sheet as compliant with the AEC-Q standard or "automotive grade" does not by itself mean that Bourns has approved such product for use in an automotive application.

Bourns® standard products are not tested to comply with United States Federal Aviation Administration standards generally or any other generally equivalent governmental organization standard applicable to products designed or manufactured for use in aircraft or space applications. Bourns expressly identifies Bourns® standard products that are suitable for use in aircraft or space applications on such products' data sheets in the section entitled "Applications." Unless expressly and specifically approved in writing by two authorized Bourns representatives on a case-by-case basis, use of any other Bourns® standard product in an aircraft or space application might not be safe and thus is not recommended, authorized or intended and is at the user's sole risk.

The use and level of testing applicable to Bourns® custom products shall be negotiated on a case-by-case basis by Bourns and the user for which such Bourns® custom products are specially designed. Absent a written agreement between Bourns and the user regarding the use and level of such testing, the above provisions applicable to Bourns® standard products shall also apply to such Bourns® custom products.

Users shall not sell, transfer, export or re-export any Bourns® products or technology for use in activities which involve the design, development, production, use or stockpiling of nuclear, chemical or biological weapons or missiles, nor shall they use Bourns® products or technology in any facility which engages in activities relating to such devices. The foregoing restrictions apply to all uses and applications that violate national or international prohibitions, including embargos or international regulations. Further, Bourns® products and Bourns technology and technical data may not under any circumstance be exported or re-exported to countries subject to international sanctions or embargoes. Bourns® products may not, without prior authorization from Bourns and/or the U.S. Government, be resold, transferred, or re-exported to any party not eligible to receive U.S. commodities, software, and technical data.

To the maximum extent permitted by applicable law, Bourns disclaims (i) any and all liability for special, punitive, consequential, incidental or indirect damages or lost revenues or lost profits, and (ii) any and all implied warranties, including implied warranties of fitness for particular purpose, non-infringement and merchantability.

*For your convenience, copies of this Legal Disclaimer Notice with German, Spanish, Japanese, Traditional Chinese and Simplified Chinese bilingual versions are available at:*

*Web Page:* <http://www.bourns.com/legal/disclaimers-terms-and-policies>

*PDF:* <http://www.bourns.com/docs/Legal/disclaimer.pdf>