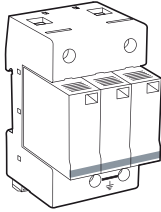


## 1420 Series DC Power SPD for Photovoltaic Applications INSTALLATION INSTRUCTIONS

### ATTENTION!

- Installation must be performed only by a properly trained operator or an electrician.
- National electrical installation rules must be followed.
- The unit must be used only as a surge protector and according to the conditions described in this document.
- Surge protectors must be selected in relation to a dedicated network.
- In the case of a red indicator, the surge protector must be replaced.

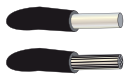
### Technical Data



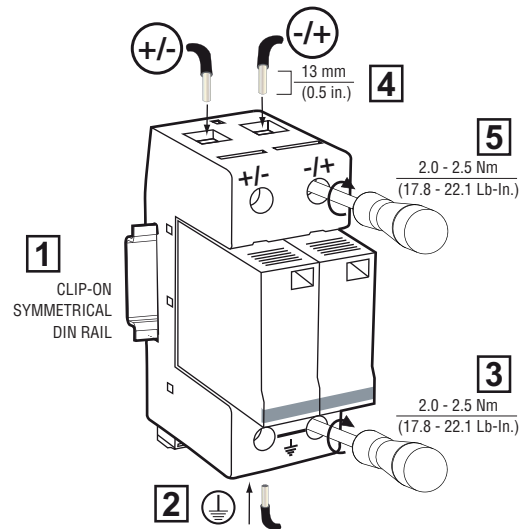
Specification	Model 1420-PV-1000
PV Network (Uocstc)	1000 Vdc
$I_{scwpv}$	1000 A
$I_{PE}$	0 mA
$I_{max}$	40 kA
Protection Level	IP 20
Operating Altitude	2000 m max. (6500 ft. max.)
Operating Temperature	-40 to +85 °C max. (-40 to +1 °F max.)
Indoor Use Only	X

### Installation

#### DIMENSIONS

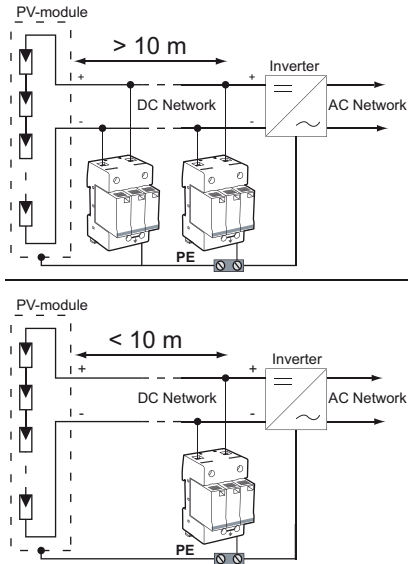
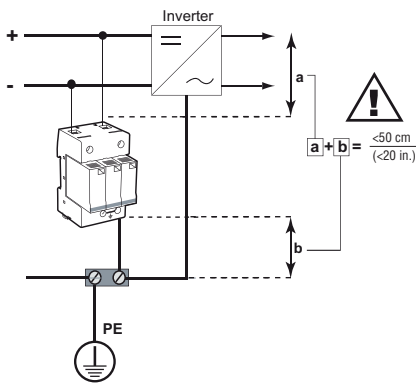


	MIN.	MAX.	DIA.
	2.5 mm <sup>2</sup>	35 mm <sup>2</sup>	13 mm - 2 AWG
	2.5 mm <sup>2</sup>	25 mm <sup>2</sup>	13 mm - 4 AWG

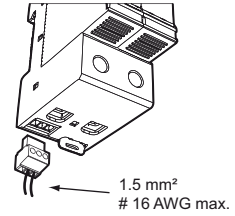


# 1420 Series DC Power SPD for Photovoltaic Applications INSTALLATION INSTRUCTIONS

## Wiring



## Remote Contact Wiring

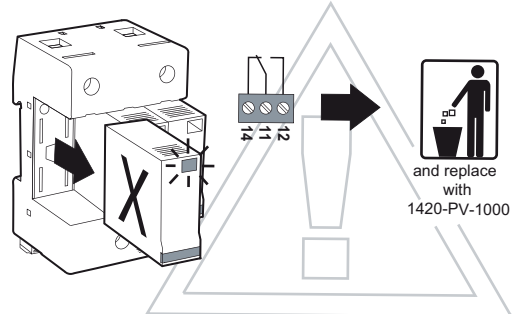
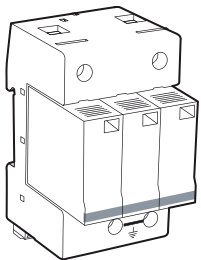


2.1 Lb-In  
0.5 Nm max.  
250 Vac / 0.5 A max.  
30 Vdc / 3 A max.

### Remote signal for disconnection information

11-12 Closed = SPD OK  
11-14 Open = SPD OK  
11-12 Open = SPD disconnect  
11-14 Closed = SPD disconnect

## Maintenance



# BOURNS®

Asia-Pacific: Tel: +886-2 2562-4117 • Fax: +886-2 2562-4116

Europe: Tel: +41-41 768 5555 • Fax: +41-41 768 5510

The Americas: Tel: +1-951 781-5500 • Fax: +1-951 781-5700

[www.bourns.com](http://www.bourns.com)