

VDSL Over Pots

ITU-T & GR-1089-CORE Solutions

Bourns[®] PortNote[®] solutions provide protection recommendations for typical port threats.

Solution Products



TBU-CA085-500-WH



2020-42T-C2FLF



SF-3812TM125T-2

Objective

VDSL circuits are sometimes combined with Plain Old Telephone Service (POTS) circuits. This solution protects those communication ports against surge and power contact threats.

Solution

2 TBU[®] High-Speed Protectors:

TBU-CA085-500-WH

1 GDT: 2020-42T-C2FLF

1 SinglFuse[™] Telefuse[™]:

SF-3812TM125T-2

Compliance

ITU-T K.20, K.45, K.21 (Enhanced)

- 6 kV 10/700 μ s Lightning Surge
- 600 V_{rms} Power Induction
- 230 V_{rms} Power Contact

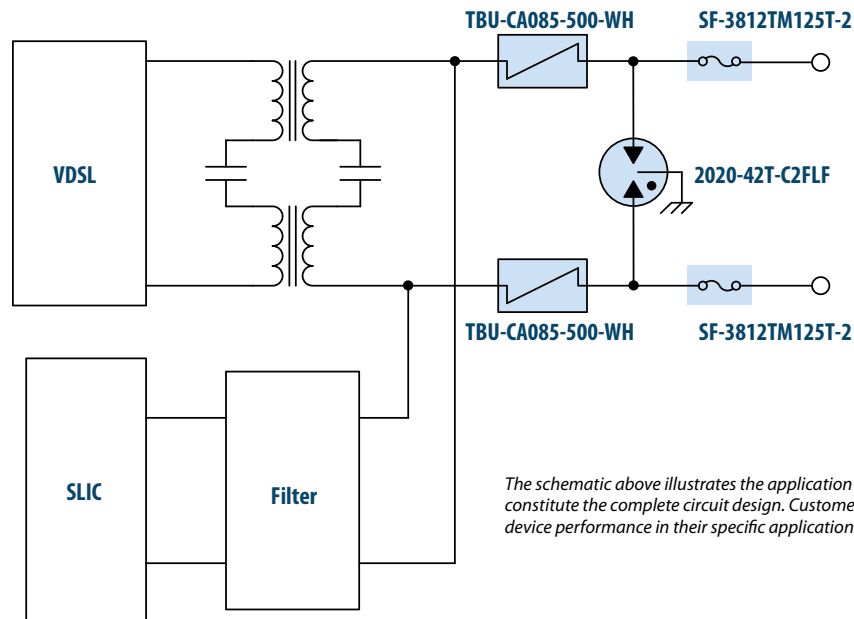
GR-1089-CORE Issue 6

Alternate Recommendations

Variations of this circuit are available depending on specific design constraints; contact your local Bourns technical representative for more information.

Benefit

This solution provides protection to the voice and data circuits without impairing the VDSL signal.



The schematic above illustrates the application protection and does not constitute the complete circuit design. Customers should verify actual device performance in their specific applications.

www.bourns.com

BOURNS[®]

Americas: Tel +1-951-781-5500
Email americus@bourns.com

EMEA: Tel +36 88 885 877
Email eurocus@bourns.com

Asia-Pacific: Tel +886-2 256 241 17
Email asiacus@bourns.com