

Features

- Convenient kit for T1/E1 stations
- Meets the T1 pulse mask as per ANSI T1.403 and the E1 mask per ITU G.703
- The protectors utilize PTC resistor technology for automatic resetting overcurrent protection and gas discharge tube technology for overvoltage protection
- Both protectors can be on-site configured for either powered or unpowered spans
- Simplicity of DIN-3 rail mounting; the rail also serves as protector ground
- Vibration proof screw-type clamping connector interface

Model 1830-A T1/E1 Protection Assembly, Rail Mounted

Bourns Model 1830-A T1/E1 Protection Assemblies provide secondary overvoltage protection for multiple T1 or E1 lines. DIN-3 Rail Mounted and able to accommodate future add-on modules, the assembly is designed to provide maximum surge protection caused from direct and induced lightning surges, power line disturbances and ground potential rises.

Common installations of the 1830-A are power cabinets located in wireless base stations or other larger telecom service entrance terminals.

Characteristics

	Powered Span	Unpowered Span
Maximum System Voltage		
Tip-Ring	12 Vp-p	12 Vp-p
Tip/Ring-Gnd	170 Vpk	6 Vpk
DC Breakdown Rating @ <2000V/s (Tip-Ring-Gnd)	6.5 Vdc	15 Vdc
Impulse Voltage Rating @ 100V/ms (Tip/Ring-Gnd)	475 Vpk	20 Vpk
Peak Clamping Voltage (Tip-Ring)		
14 A ¹ 10/1000μs	20 Vpk	20 Vpk
1 kA 8/20μs	30 Vpk	30 Vpk
5 kA 8/20μs	45 Vpk	45 Vpk
Maximum Current, per line		
@ 65°C	100 mA	100 mA
@ 85°C	66 mA	66 mA
Surge Life Tip/Ring-Gnd		
14 A ¹ 10/1000 μs	100 Operations	100 Operations
500 A ¹ 2/10 μs	1 Operation	1 Operation
100 A 10/1000 μs	300 Operations	300 Operations
10 kA 8/20 μs	10 Operations	10 Operations
20 kA 8/20 μs	1 Operation	1 Operation
Pulse Mask		
ANSI T1.403(1.544 Mbits/s)	Complies	Complies
CCITT G.703 (2.048 Mbits/s)	Complies	Complies
Data Attenuation		
1.544 Mbits/s	0.6 dB	0.6 dB
2.048 Mbits/s	1.4 dB	1.4 dB
Capacitance @ 1.0 MHz, Tip-Ring	<75 pF	<75 pF
Series Resistance, per line	10 Ω	10 Ω
Operating Temperature	-40°C to +85°C	-40°C to +85°C
Response Time	< 1 ns	< 1 ns
Wire Size, Input and Output	AWG 14 – 22	AWG 14 – 22
Warranty	1 Year	1 Year

¹applies to model 1830

BOURNS®

Asia-Pacific: Tel: +886-2 2562-4117 • Email: asiacus@bourns.com

EMEA: Tel: +36 88 885 877 • Email: eurocus@bourns.com

The Americas: Tel: +1-951 781-5500 • Email: americus@bourns.com

www.bourns.com



WARNING
Cancer and Reproductive Harm
www.P65Warnings.ca.gov

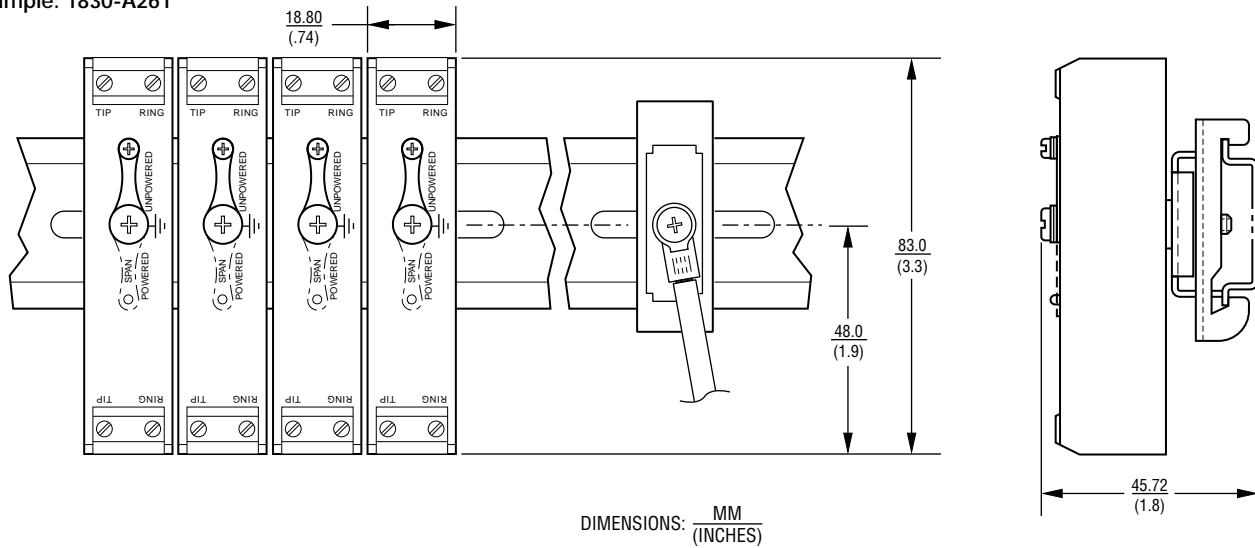
Specifications are subject to change without notice. Users should verify actual device performance in their specific applications. The products described herein and this document are subject to specific legal disclaimers as set forth on the last page of this document, and at www.bourns.com/docs/legal/disclaimer.pdf.

Model 1830-A T1/E1 Protection Assembly, Rail Mounted

BOURNS®

Product Dimensions

Example: 1830-A261



How To Order

1830-A X X X

Model Number Designator _____

Number of Protected T1 Lines¹ _____

- 1 = One line (two protectors)
- 2 = Two lines (four protectors)
- 3 = Three lines (six protectors)
- 4 = Four lines (eight protectors)
- 5 = Five lines (ten protectors)

Rail Length _____

- 1 = 2.8' long - Accommodates **one** pair of protectors **without** ground wire clamp
- 2 = 4.2' long - Accommodates **one** pair of protectors with ground wire clamp
- 3 = 5.6' long - Accommodates **two** pair of protectors with ground wire clamp
- 4 = 7.0' long - Accommodates **three** pair of protectors with ground wire clamp
- 5 = 8.4' long - Accommodates **four** pair of protectors with ground wire clamp
- 6 = 9.8' long - Accommodates **five** pair of protectors with ground wire clamp

Without ground wire clamp, use next shorter rail.
For smaller spaces, use next shorter rail.
(Rail mounting screw heads will be partially hidden under clamps.)

Ground Wire Clamp and 24' AWG #12 Insulated Ground Wire _____

- 0 = Without clamp and wire
- 1 = With clamp and wire

Notes:

¹ Two protectors are required for each T1 line, one for transmit and one for receive.
Slots in rail are .21' wide; will accommodate #10 screw. Drill enlarge for bigger screw.

REV. A 10/19

Specifications are subject to change without notice.

Users should verify actual device performance in their specific applications.

The products described herein and this document are subject to specific legal disclaimers as set forth on the last page of this document, and at www.bourns.com/docs/legal/disclaimer.pdf.

This legal disclaimer applies to purchasers and users of Bourns® products manufactured by or on behalf of Bourns, Inc. and its affiliates (collectively, "Bourns").

Unless otherwise expressly indicated in writing, Bourns® products and data sheets relating thereto are subject to change without notice. Users should check for and obtain the latest relevant information and verify that such information is current and complete before placing orders for Bourns® products.

The characteristics and parameters of a Bourns® product set forth in its data sheet are based on laboratory conditions, and statements regarding the suitability of products for certain "typical" applications are based on Bourns' knowledge of typical requirements in generic applications. Bourns assumes that "typical" applications include failsafe/backup features to address critical risks to users and are designed to allow rework of Bourns® product to avoid scrap of a device solely due to malfunctioning Bourns® product. The characteristics and parameters of a Bourns® product in a user application may vary from the data sheet characteristics and parameters due to (i) the combination of the Bourns® product with other components in the user's application, or (ii) the environment of the user application itself. The characteristics and parameters of a Bourns® product also can and do vary in different applications and actual performance may vary over time. Thus, users should always verify the actual performance of the Bourns® product in their specific devices and applications and make their own independent judgments regarding the suitability of Bourns® product and the amount of additional test margin to design into their device or application to compensate for differences between laboratory and real-world conditions.

Unless Bourns has explicitly designated an individual Bourns® product as meeting the requirements of a particular industry standard (e.g., IATF 16949) or a particular qualification (e.g., UL listed or recognized), Bourns is not responsible for any failure of an individual Bourns® product to meet the requirements of such industry standard or particular qualification even if such industry standard or qualification is a "state of art". Users of Bourns® products are responsible for ensuring compliance with safety-related requirements and standards applicable to their devices or applications.

Bourns® products are not recommended, authorized or intended for use in applications where failure or malfunction may result in personal injury, death, or severe property or environmental damage, such as without limitation nuclear, life-critical medical and certain automotive and aviation applications. Except as set forth in the bullet points below or unless expressly and specifically approved in writing on a case-by-case basis by an authorized Bourns' representative, use of any Bourns® products in such unauthorized high-risk applications is at the user's sole risk.

- Bourns considers implantable/invasive devices and devices/procedures designed as life-supporting or life-sustaining by the U.S. Food and Drug Administration or equivalent organizations outside of the United States as "life-critical" medical applications. Bourns expressly identifies those Bourns® standard products that are suitable for use in typical medical applications that are not life-critical in its publication entitled "Bourns Medical Grade Component Guide."
- Bourns expressly identifies those Bourns® standard products that are suitable for use in typical automotive applications associated with any Automate Safety Integrity Level (ASIL) in its publication entitled "Bourns Automotive Grade Component Guide." Bourns' designation of Bourns® product as compliant with the AEC-Q standard does not by itself mean that Bourns has approved such product for use in an automotive application.
- Bourns expressly identifies Bourns® standard products that are suitable for use in the typical aviation applications/systems requiring System Design Assurance Level (RTCA DO-254 DAL) of C, D or E in its publication entitled "Bourns Civilian Aerospace/Aviation Grade Component Guide." Bourns does not test its products for compliance with United States Federal Aviation Administration standards or any other generally equivalent governmental organization standard applicable to products designed or manufactured for use in aviation applications. Use of Bourns® standard components in aviation applications associated with RTCA DO-254 DAL A or B without proper approval noted above shall be at the user's sole risk.
- Bourns will review and authorize on a case-by-case basis the use of Bourns® standard products which are at least AEC-Q compliant in space-related civil applications (rockets, satellites) with a negotiated cross-waiver and indemnity agreement.

The use and level of testing applicable to Bourns® custom products shall be negotiated on a case-by-case basis by Bourns and the user for which such Bourns® custom products are specially designed. Absent a written agreement between Bourns and the user regarding the use and level of such testing, the above provisions applicable to Bourns® standard products shall also apply to such Bourns® custom products.

Use of Bourns® products or Bourns' technology in military/defense applications must be reviewed with Bourns for compliance with applicable export control laws and embargoes. Users shall not sell, transfer, export or re-export (which includes transfers within a country) any Bourns® products or technology or technical data for use in activities which involve the design, development, production, use or stockpiling of nuclear, chemical or biological weapons or missiles, nor shall they use Bourns® products or technology or technical data in any facility which engages in activities relating to such devices. Further, Bourns® products and Bourns' technology and technical data may not under any circumstance be exported or re-exported to countries subject to international sanctions or embargoes. Bourns® products and technology may not, without prior authorization from Bourns and/or the Government of a country where such product/technology is designed and/or manufactured, be resold, transferred, or re-exported (including within the same country) to any party not eligible to receive commodities, software, and technical data originating in such country.

To the maximum extent permitted by applicable law, Bourns disclaims (i) any and all liability for special, punitive, consequential, incidental or indirect damages or lost revenues or lost profits, and (ii) any and all implied warranties (those not based on parameters specified in Bourns' data sheets and/or specifications), including implied warranties of fitness for particular purpose, non-infringement and merchantability.

For your convenience, copies of this Legal Disclaimer Notice with German, Spanish, Japanese, Traditional Chinese and Simplified Chinese bilingual versions are available at:

Web Page: <https://www.bourns.com/legal/disclaimers-terms-and-policies>

PDF: <https://www.bourns.com/docs/Legal/disclaimer.pdf>