



Features

- Low capacitance
- Robust GDT protection
- Fail-Short device
- Rugged sealed construction
- Low loss for broadband applications
- High surge-energy handling
- Fire-retardant
- Long life
- For use with C-50 and C-52 Protector Blocks

2022-28-A Series Gas Tube Surge Protector

Bourns® Model 2022-28-A Central Office (CO) protectors are ideal for protection of legacy Main Distributing Frames (MDF). They are designed to protect against lightning surges, power-cross conditions and ground potential rises.

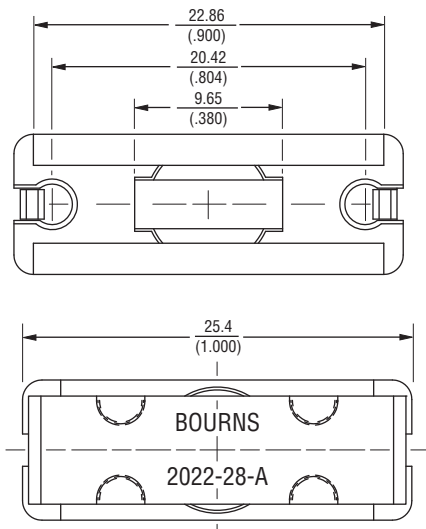
The protector element consists of Bourns' own balanced, heavy-duty rated, Gas Discharge Tube (GDT). A Fail-Short mechanism provides an extra measure of safety against thermal overload. The GDT mechanism is housed in a fire-retardant body.

Characteristics

Test Methods per IEEE C62.31, UL 497, RUS PE80, Telcordia GR-1361.

DC Breakdown @ 100 V/sec.....	300-500 V
Impulse Breakdown	
100 V/μsec	600 V
10 kV/μsec.....	850 V
Insulation Resistance @ 100 V	>10 ⁹ Ω
Capacitance @ 1 kHz.....	<15 pF
DC Extinguishing @ 52 V, 135 V, 150 V.....	<150 msec
Impulse Life Characteristics	
3000x 10 A.....	10/1000 μsec
300x 100 A.....	10/1000 μsec
100x 300 A.....	10/1000 μsec
400x 500 A.....	10/1000 μsec
25x 2 kA.....	10/250 μsec
20 kA.....	8/20 μsec
AC Life Characteristics	
20x 10 A.....	1 sec.
60x 1 A.....	1 sec.
65 A.....	11 cycles

Product Dimensions



Packaging Specifications

Model 2022-28-A ships standard bulk pack, 500 pcs./bag.

How to Order

Part Number2022-28-A

REV. B 09/13

Specifications are subject to change without notice.

The device characteristics and parameters in this data sheet can and do vary in different applications and actual device performance may vary over time. Users should verify actual device performance in their specific applications.