



\*RoHS COMPLIANT  
\*\*HALOGEN FREE

#### Features

- Designed to meet IEC 60269-4 (aR class) fuse standard
- 800/1000 VDC rated voltage and 50 kA interrupting current
- RoHS compliant\*
- Halogen free\*\*

#### Applications

- Power conversion devices
- DC common bus systems
- Battery energy storage systems (BESS)
- DC charging piles

#### Sustainability

- Eco-logistics-friendly packing
- Energy-saving low-power design
- ISO 14001, low-impact energy



#### Product Overview



Bourns® PF-01N100E Series POWrFuse™ High-Power Fuses feature high-power industrial fuse links designed to meet semiconductor (aR class) protection standards to protect semiconductors against overcurrent conditions.

The PF-01N100E Series provides dependable aR class protection for 800/1000 VDC applications, delivering fast fault response, high interrupting performance, and IEC 60269-4 compliance for today's energy storage and power electronics designs.

#### Electrical Characteristics

Model***	Rated Current (A)	Rated Voltage	Interrupting Rating	I <sup>2</sup> t (A <sup>2</sup> s)		Power Loss**** (W)	Agency Recognition
				Pre-arcing	Clearing		
PF-01N100E50xx	50	1000 VDC	50 kA @ 1000 VDC	350	1650	14	 B 118437   N8A 118437
PF-01N100E63xx	63			968	4550	15	
PF-01N100E80xx	80			1400	6549	24	
PF-01N100E100xx	100			1900	8900	25	
PF-01N100E125xx	125			3850	18200	32	
PF-01N100E160xx	160			5550	26200	40	
PF-01N100E200xx	200			9900	46600	52	
PF-01N100E250xx	250			15400	72800	70	
PF-01N100E315xx	315			31100	146400	80	
PF-01N100E350xx	350			41500	195000	90	
PF-01N100E400xx	400			56000	265000	95	
PF-01N80E450xx	450	800 VDC	50 kA @ 1000 VDC	75500	295000	100	

\*\*\* xx = Mounting Type: B1 = Bolt Down (Type 1); B2 = Bolt Down (Type 2); DB = DIN Blade; FE = Flush End

\*\*\*\* Tested at rated current

#### Environmental Characteristics

Specification	Value
Operating Temperature	-40 °C to +85 °C

#### Contact Information

<a href="http://www.bourns.com">www.bourns.com</a>	Phone	Email
Asia-Pacific	+886-2 2562-4117	<a href="mailto:asiacus@bourns.com">asiacus@bourns.com</a>
Europe	+36 88 885 877	<a href="mailto:eurocus@bourns.com">eurocus@bourns.com</a>
Mexico	+52 614 478 0400	<a href="mailto:mexicus@bourns.com">mexicus@bourns.com</a>
The Americas	+1-951 781-5500	<a href="mailto:americus@bourns.com">americus@bourns.com</a>

#### How to Order

POWrFuse™ Product Designator **PF - 01N 100E 250 FE**

Size \_\_\_\_\_  
01N = NH01

Rated Voltage \_\_\_\_\_  
100E = 1000 VDC      80E = 800 VDC

Rated Current \_\_\_\_\_  
250 = 250 A

Mounting Type \_\_\_\_\_  
B1 = Bolt Down (Type 1)      DB = DIN Blade  
B2 = Bolt Down (Type 2)      FE = Flush End

\* RoHS Directive 2015/863, Mar 31, 2015 and Annex.

\*\* Bourns considers a product to be "halogen free" if (a) the Bromine (Br) content is 900 ppm or less; (b) the Chlorine (Cl) content is 900 ppm or less; and (c) the total Bromine (Br) and Chlorine (Cl) content is 1500 ppm or less.

Specifications are subject to change without notice.

Users should verify actual device performance in their specific applications.

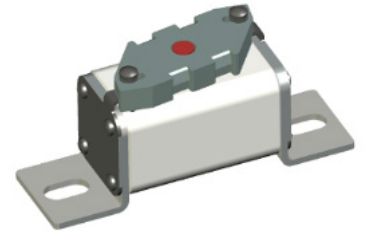
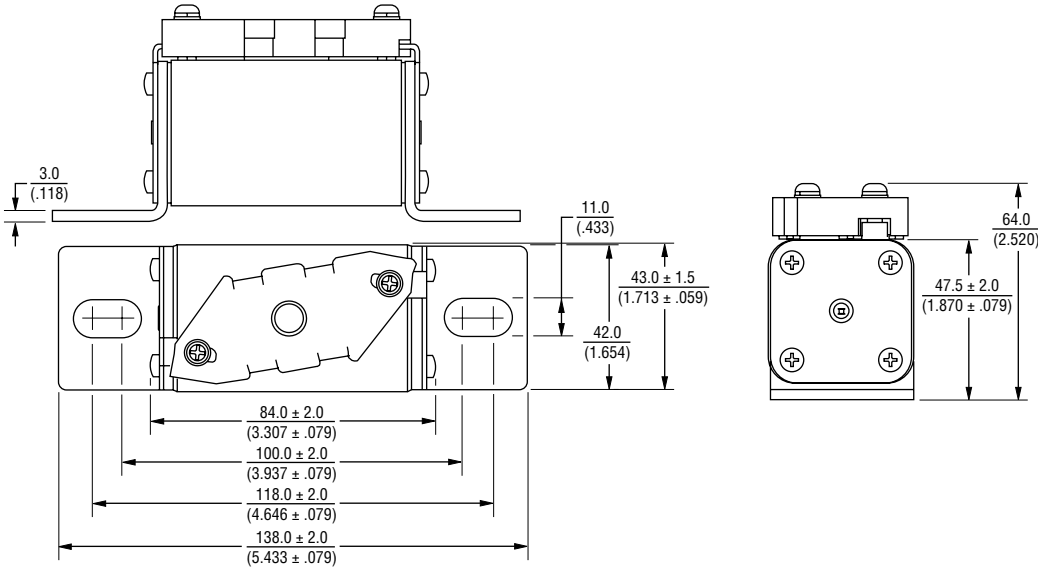
The products described herein and this document are subject to specific legal disclaimers as set forth on the last page of this document, and at [www.bourns.com/docs/legal/disclaimer.pdf](http://www.bourns.com/docs/legal/disclaimer.pdf).



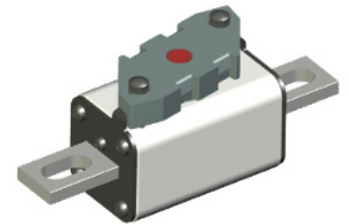
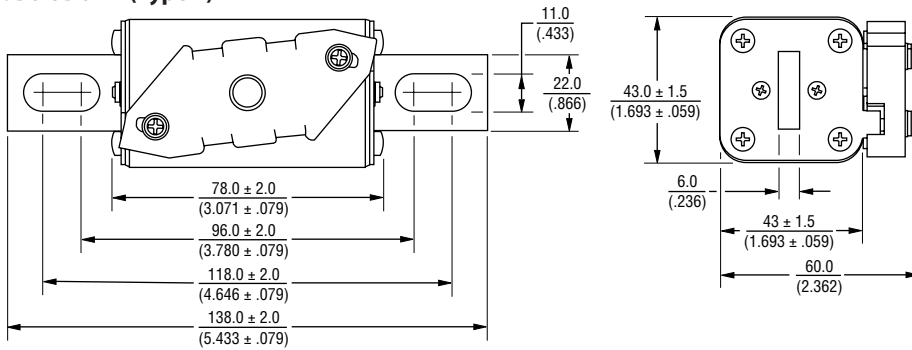
**\*RoHS COMPLIANT  
&  
\*\*HALOGEN FREE**

**Product Dimensions**

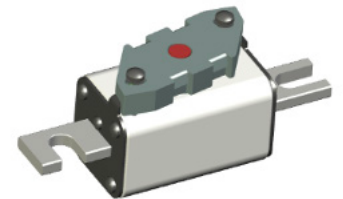
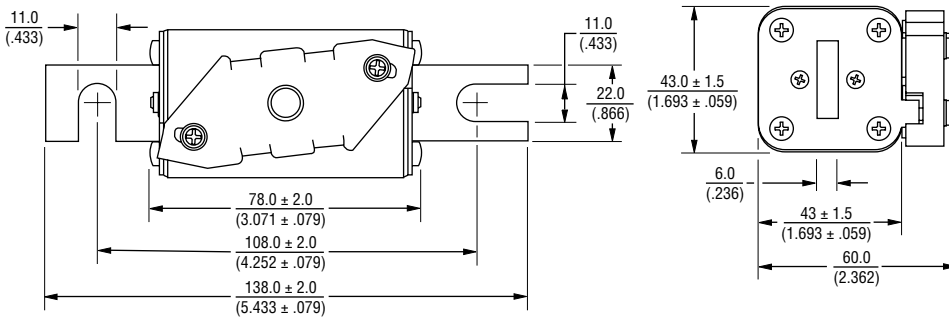
**B1: Bolt Down (Type 1)**



**B2: Bolt Down (Type 2)**



**DB: DIN Blade**



DIMENSIONS:  $\frac{\text{MM}}{\text{(INCHES)}}$

Product Dimensions continued on next page

Specifications are subject to change without notice. Users should verify actual device performance in their specific applications.

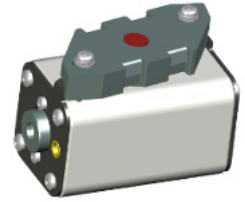
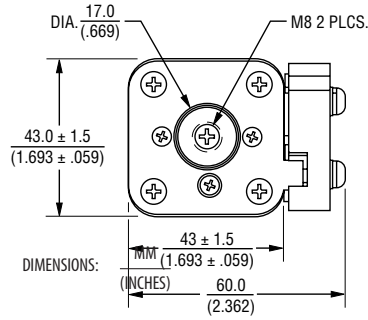
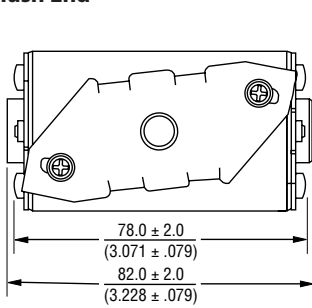
The products described herein and this document are subject to specific legal disclaimers as set forth on the last page of this document, and at [www.bourns.com/docs/legal/disclaimer.pdf](http://www.bourns.com/docs/legal/disclaimer.pdf).



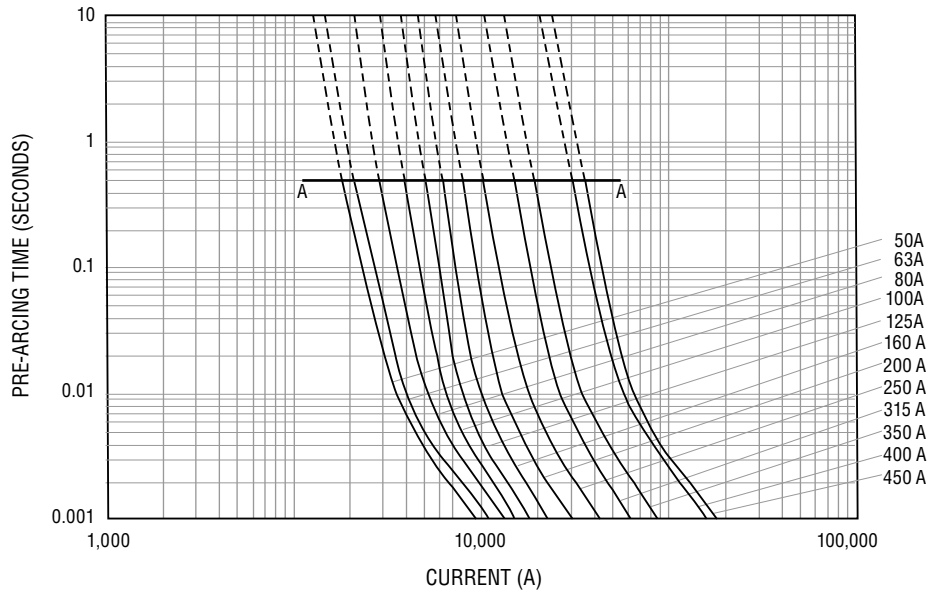
\*RoHS COMPLIANT  
&  
\*\*HALOGEN FREE

#### Product Dimensions (Continued)

FE: Flush End



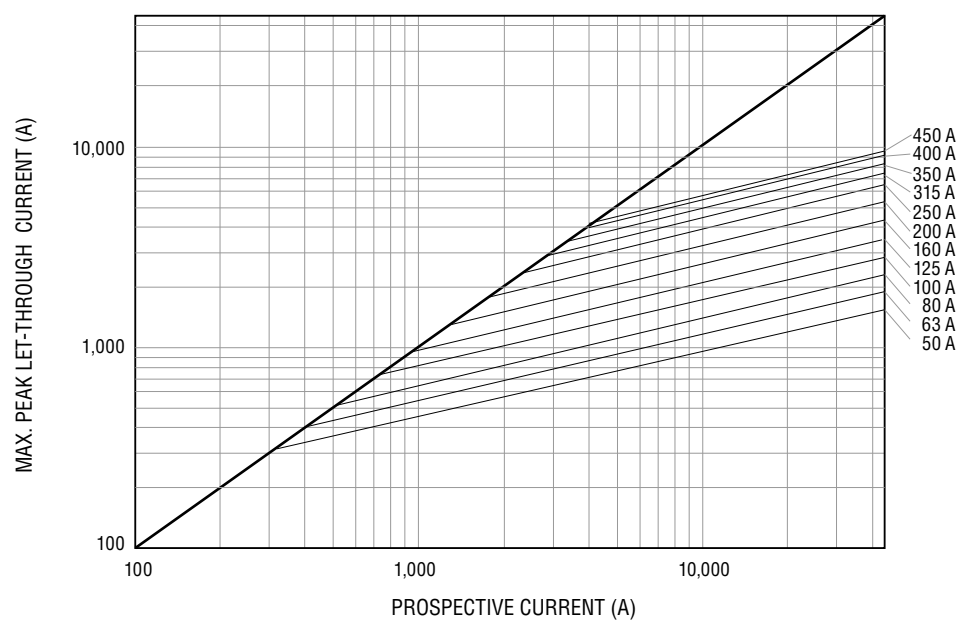
#### Average Pre-Arcing Time vs. Current Curves



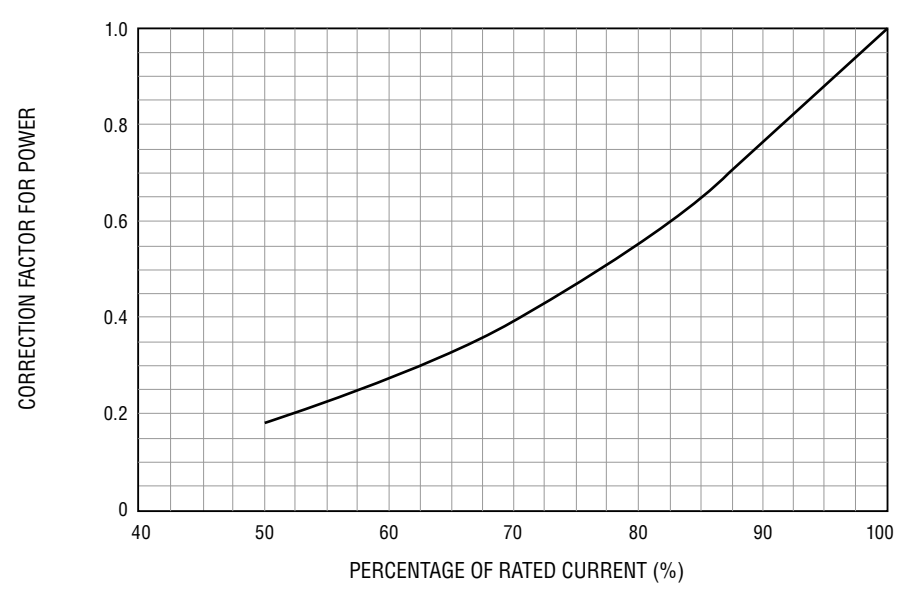


\*RoHS COMPLIANT  
&  
\*\*HALOGEN FREE

**Truncated Current Curve (For Reference Only)**



**Power Dissipation Curve (For Reference Only)**



Specifications are subject to change without notice. Users should verify actual device performance in their specific applications.

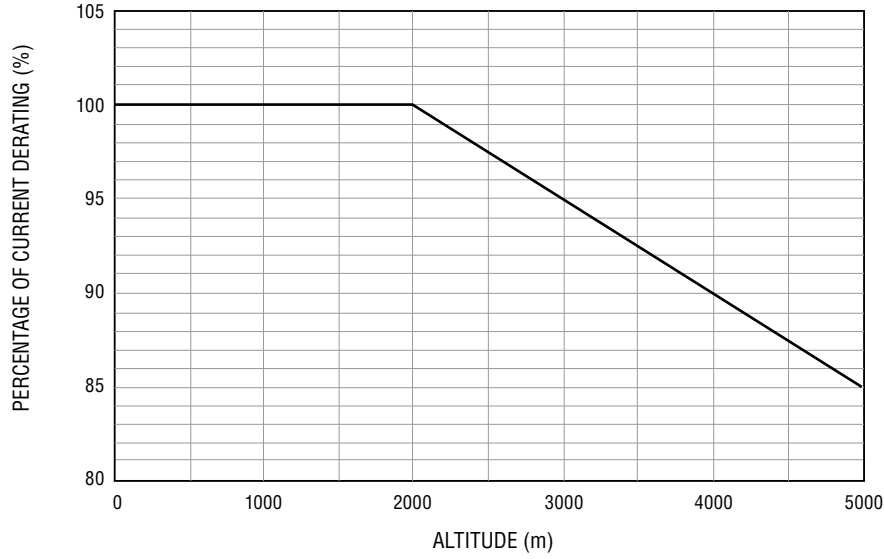
The products described herein and this document are subject to specific legal disclaimers as set forth on the last page of this document, and at [www.bourns.com/docs/legal/disclaimer.pdf](http://www.bourns.com/docs/legal/disclaimer.pdf).



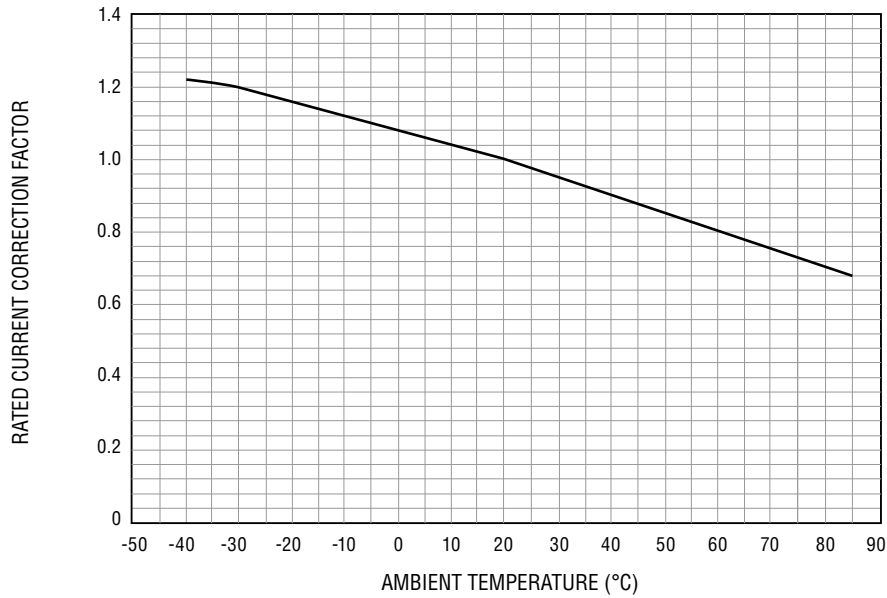


**\*RoHS COMPLIANT  
&  
\*\*HALOGEN FREE**

**Altitude Curve (For Reference Only)**



**Current Rating Thermal Derating Curve**



Specifications are subject to change without notice. Users should verify actual device performance in their specific applications.

The products described herein and this document are subject to specific legal disclaimers as set forth on the last page of this document, and at [www.bourns.com/docs/legal/disclaimer.pdf](http://www.bourns.com/docs/legal/disclaimer.pdf).



\*RoHS COMPLIANT  
&  
\*\*HALOGEN FREE

#### Typical Part Marking

Current Rating (A)	Note 1	Note 2	Note 3	Note 4
50	50	DC Resistance	Date Code	Mounting Type (B1/B2/DB/FE)
63	63			
80	80			
100	100			
125	125			
160	160			
200	200			
250	250			
315	315			
350	350			
400	400			
450	450			

#### Packaging Specifications

Model	Pearl Cotton Pallet	Carton
PF-01N100E	8 Pieces	32 Pieces

#### Recommended Mounting Torque and Bolt Sizes

Mounting Type	Mounting Torque	Bolt Size
B1 / B2 / DB	21 ± 1 Nm	M10
FE	13~20 Nm	M8

#### Marking



This legal disclaimer applies to purchasers and users of Bourns® products manufactured by or on behalf of Bourns, Inc. and its affiliates (collectively, "Bourns").

Unless otherwise expressly indicated in writing, Bourns® products and data sheets relating thereto are subject to change without notice. Users should check for and obtain the latest relevant information and verify that such information is current and complete before placing orders for Bourns® products.

The characteristics and parameters of a Bourns® product set forth in its data sheet are based on laboratory conditions, and statements regarding the suitability of products for certain "typical" applications are based on Bourns' knowledge of typical requirements in generic applications. Bourns assumes that "typical" applications include failsafe/backup features to address critical risks to users and are designed to allow rework of Bourns® product to avoid scrap of a device solely due to malfunctioning Bourns® product. The characteristics and parameters of a Bourns® product in a user application may vary from the data sheet characteristics and parameters due to (i) the combination of the Bourns® product with other components in the user's application, or (ii) the environment of the user application itself. The characteristics and parameters of a Bourns® product also can and do vary in different applications and actual performance may vary over time. Thus, users should always verify the actual performance of the Bourns® product in their specific devices and applications and make their own independent judgments regarding the suitability of Bourns® product and the amount of additional test margin to design into their device or application to compensate for differences between laboratory and real-world conditions.

Unless Bourns has explicitly designated an individual Bourns® product as meeting the requirements of a particular industry standard (e.g., IATF 16949) or a particular qualification (e.g., UL listed or recognized), Bourns is not responsible for any failure of an individual Bourns® product to meet the requirements of such industry standard or particular qualification even if such industry standard or qualification is a "state of art". Users of Bourns® products are responsible for ensuring compliance with safety-related requirements and standards applicable to their devices or applications.

Bourns® products are not recommended, authorized or intended for use in applications where failure or malfunction may result in personal injury, death, or severe property or environmental damage, such as without limitation nuclear, life-critical medical and certain automotive and aviation applications. Except as set forth in the bullet points below or unless expressly and specifically approved in writing on a case-by-case basis by an authorized Bourns' representative, use of any Bourns® products in such unauthorized high-risk applications is at the user's sole risk.

- Bourns considers implantable/invasive devices and devices/procedures designed as life-supporting or life-sustaining by the U.S. Food and Drug Administration or equivalent organizations outside of the United States as "life-critical" medical applications. Bourns expressly identifies those Bourns® standard products that are suitable for use in typical medical applications that are not life-critical in its publication entitled "Bourns Medical Grade Component Guide."
- Bourns expressly identifies those Bourns® standard products that are suitable for use in typical automotive applications associated with any Automate Safety Integrity Level (ASIL) in its publication entitled "Bourns Automotive Grade Component Guide." Bourns' designation of Bourns® product as compliant with the AEC-Q standard does not by itself mean that Bourns has approved such product for use in an automotive application.
- Bourns expressly identifies Bourns® standard products that are suitable for use in the typical aviation applications/systems requiring System Design Assurance Level (RTCA DO-254 DAL) of C, D or E in its publication entitled "Bourns Civilian Aerospace/Aviation Grade Component Guide." Bourns does not test its products for compliance with United States Federal Aviation Administration standards or any other generally equivalent governmental organization standard applicable to products designed or manufactured for use in aviation applications. Use of Bourns® standard components in aviation applications associated with RTCA DO-254 DAL A or B without proper approval noted above shall be at the user's sole risk.
- Bourns will review and authorize on a case-by-case basis the use of Bourns® standard products which are at least AEC-Q compliant in space-related civil applications (rockets, satellites) with a negotiated cross-waiver and indemnity agreement.

The use and level of testing applicable to Bourns® custom products shall be negotiated on a case-by-case basis by Bourns and the user for which such Bourns® custom products are specially designed. Absent a written agreement between Bourns and the user regarding the use and level of such testing, the above provisions applicable to Bourns® standard products shall also apply to such Bourns® custom products.

Use of Bourns® products or Bourns' technology in military/defense applications must be reviewed with Bourns for compliance with applicable export control laws and embargoes. Users shall not sell, transfer, export or re-export (which includes transfers within a country) any Bourns® products or technology or technical data for use in activities which involve the design, development, production, use or stockpiling of nuclear, chemical or biological weapons or missiles, nor shall they use Bourns® products or technology or technical data in any facility which engages in activities relating to such devices. Further, Bourns® products and Bourns' technology and technical data may not under any circumstance be exported or re-exported to countries subject to international sanctions or embargoes. Bourns® products and technology may not, without prior authorization from Bourns and/or the Government of a country where such product/technology is designed and/or manufactured, be resold, transferred, or re-exported (including within the same country) to any party not eligible to receive commodities, software, and technical data originating in such country.

To the maximum extent permitted by applicable law, Bourns disclaims (i) any and all liability for special, punitive, consequential, incidental or indirect damages or lost revenues or lost profits, and (ii) any and all implied warranties (those not based on parameters specified in Bourns' data sheets and/or specifications), including implied warranties of fitness for particular purpose, non-infringement and merchantability.

For your convenience, copies of this Legal Disclaimer Notice with German, Spanish, Japanese, Traditional Chinese and Simplified Chinese bilingual versions are available at:

Web Page: <https://www.bourns.com/legal/disclaimers-terms-and-policies>

PDF: <https://www.bourns.com/docs/Legal/disclaimer.pdf>

K2540 05/26R



**CALIFORNIA WARNING:** Can expose you to lead, a carcinogen and reproductive toxicant.

See [www.P65Warnings.ca.gov](http://www.P65Warnings.ca.gov)