

Features

- Custom designs to meet appropriate applications
- Compatible with current industry standards
- Overcurrent and overtemperature protection
- Standard and low-temperature material

■ Agency recognition: **UL**[®]

Applications

- Lithium cells
- Battery cells
- Powered toys
- Motors

MF-D Series - PTC Resettable Fuses

Bourns Multifuse Product Line offers a PTC resettable fuse in a disk, square or rectangular configuration for overcurrent protection in various custom applications. These products are specific to customer's design requirements and are designed by Bourns to meet customer requirements. Some typical specification

information is listed below. However, all disk products are subject to the end customer verification of the product in the application. For ordering information, contact your nearest Bourns representative.

Electrical Characteristics

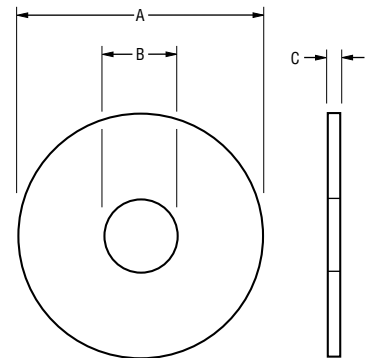
Model	V max. Volts	I max. Amps	I _{hold}	Initial Resistance		Max. Time to Trip	
			Amperes at 23 °C	Ohms at 23 °C		Amperes at 23 °C	Seconds at 23 °C
			Hold	Min.	Max.		
MF-D*	15	10	2.5	0.015	0.032	5	80
MF-D*	15	20	3.5	0.015	0.032	10	10
MF-D*	15	40	5.5	0.014	0.30	10	5
MF-D*	15	50	12.2	0.007	0.017	15	15

*For ordering information, contact your nearest Bourns representative.

UL File Number E174545 <http://www.ul.com/> Follow link to Certifications, then UL File No., enter E174545

Product Dimensions

Model	A	B	C MAX.
MF-D	$\frac{14.4}{(0.567)}$	$\frac{6.3}{(0.248)}$	$\frac{0.36}{(0.014)}$
MF-D	$\frac{16.4}{0.646}$	$\frac{10}{(0.394)}$	$\frac{0.36}{(0.014)}$
MF-D	$\frac{16.08}{(0.633)}$	$\frac{9}{(0.354)}$	$\frac{0.36}{(0.014)}$
MF-D	$\frac{24}{(0.945)}$	—	$\frac{0.36}{(0.014)}$



NOTES:

1. Devices are 100 % resistance tested.
2. Foil materials are Nickel-coated Copper.
3. Alternative electrical and mechanical parameters are possible. Please contact your local Bourns sales office or representative for details.
4. Operating and storage temperatures: -40 to +85 °C.
5. All specifications are at 23 °C unless otherwise stated.

DIMENSIONS: $\frac{\text{MM}}{\text{(INCHES)}}$

TOLERANCE: $\pm \frac{0.05}{(.002)}$ TYPICAL

MF-D, REV. G, 03/13

Specifications are subject to change without notice.
Users should verify actual device performance in their specific applications.

The device characteristics and parameters in this data sheet can and do vary in different applications and actual device performance may vary over time.