



Features

- Formerly a **KEKOVARICON** product
- Two standard model sizes available - 7.5 x 9.0 mm and 8 x 12 mm (smaller sizes available upon request)
- Through-hole and surface mount styles
- Operating voltage range (V_{dc}): 16, 20, 26, 38 and 56 V
- Capacitance range: 0.47 pF to 1.5 μ F (higher values available upon request)
- Available in tape and reel packaging for automatic pick-and-place
- AEC-Q200 Grade 1 upon request
- RoHS compliant*

OV Series – Automotive Grade Dual Function Varicons

General Information

The OV series is a series of dual function protective devices that help protect against voltage surges in a voltage region and against radio frequency noise. This component typically replaces two components – a low voltage varistor and a capacitor.

OV series varicons incorporate a varistor function in a voltage region (12 V, 24 V, 42 V) and a function of a radio-frequency filtering capacitor in a high capacitance range from 0.47 to 1.5 μ F (higher values are available upon request), making them ideal for protection in certain automobile electronics applications.

OV varicons are square shaped components with in-line leads, which require very little mounting space - at least 30 % less than the two components they typically replace. Dual function varicons are also available in an SMD version upon request and are compliant with Pb-free soldering.

Absolute Maximum Ratings

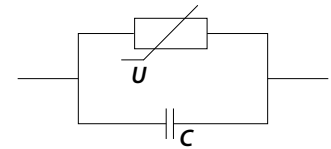
Parameter	Value	Units
Continuous:		
Steady State Applied Voltage		
DC Voltage Range (V_{dc})	16 to 56	V
AC Voltage Range (V_{rms})	14 to 40	V
Transient:		
Load Dump Energy (WLD)	6 to 12	J
Jump Start Capability - 5 minutes (V_{jump})	24 to 65	V
Non-Repetitive Surge Current, 8/20 μ s Waveform (I_{max})	800 to 1200	A
Non-Repetitive Surge Energy, 10/1000 μ s Waveform (W_{max})	2.4 to 10.5	J
Capacitance Range	470 to 4700	nF
Capacitor Temperature Characteristics	X7R	
Operating Ambient Temperature	-40 to +125	$^{\circ}$ C
Storage Temperature Range	-40 to +150	$^{\circ}$ C
Threshold Voltage Temperature Coefficient	< +0.05	%/ $^{\circ}$ C
Insulation Resistance	> 1	G Ω
Isolation Voltage Capability	> 1.25	kV
Response Time	< 5	ns
Climatic Category	40 / 125 / 56	

Additional Information

Click these links for more information:



Dual Function Component Symbol



Index

Features	1
General Information	1
Dual Function Component Symbol.....	1
Absolute Maximum Ratings.....	1
Applications.....	2
Device Ratings.....	2
Product Dimensions.....	3
How to Order.....	3
Typical Part Marking	3
Protection Level/ Pulse Rating Curves	4
Capacitance Characteristics.....	5
Application Circuit	5
Packaging Specifications	6-7
Assembly Recommendations for Through-hole Components.....	8
Reliability Testing Procedures.....	9-10
Terminology.....	11
Legal Disclaimer.....	12

BOURNS®

Asia-Pacific: Tel: +886-2 2562-4117 • Email: asiacus@bourns.com

EMEA: Tel: +36 88 885 877 • Email: eurocus@bourns.com

The Americas: Tel: +1-951 781-5500 • Email: americus@bourns.com

www.bourns.com



WARNING Cancer and Reproductive Harm
www.P65Warnings.ca.gov

*RoHS Directive 2015/863, Mar 31, 2015 and Annex.

Specifications are subject to change without notice.

Users should verify actual device performance in their specific applications.

The products described herein and this document are subject to specific legal disclaimers as set forth on the last page of this document, and at www.bourns.com/docs/legal/disclaimer.pdf.

Applications

- DC brush motors for automotive applications

OV Series – Automotive Grade Dual Function Varicons

BOURNS®

Device Ratings

Model	V _{rms}	V _{dc}	V _n @ 1 mA	V _{jump} 5 min.	V _c	I _c	W _{max} 10/1000 μs	WLD 10 times	P max.	I _{max} 8/20 μs	C Typ. @ 1 kHz
	V	V	V	V	V	A	J	J	W	A	μF
12 V Supply Voltage											
OV 14 K 474 MX 801	14	16	24	24.5	40	5	2.4	6	0.015	800	0.47
OV 14 K 105 MX 801	14	16	24	24.5	40	5	2.4	6	0.015	800	1.00
OV 14 K 155 MX 801	14	16	24	24.5	40	5	2.4	6	0.015	800	1.50
OV 14 K 474 MX 122	14	16	24	24.5	40	10	5.8	12	0.030	1200	0.47
OV 14 K 105 MX 122	14	16	24	24.5	40	10	5.8	12	0.030	1200	1.00
OV 14 K 155 MX 122	14	16	24	24.5	40	10	5.8	12	0.030	1200	1.50
OV 17 K 474 MX 801	17	20	27	30	44	5	2.8	6	0.015	800	0.47
OV 17 K 105 MX 801	17	20	27	30	44	5	2.8	6	0.015	800	1.00
OV 17 K 155 MX 801	17	20	27	30	44	5	2.8	6	0.015	800	1.50
OV 17 K 474 MX 122	17	20	27	30	44	10	7.4	12	0.030	1200	0.47
OV 17 K 105 MX 122	17	20	27	30	44	10	7.4	12	0.030	1200	1.00
OV 17 K 155 MX 122	17	20	27	30	44	10	7.4	12	0.030	1200	1.50
24 V Supply Voltage											
OV 20 K 474 MX 801	20	26	33	36	54	5	3.2	6	0.015	800	0.47
OV 20 K 105 MX 801	20	26	33	36	54	5	3.2	6	0.015	800	1.00
OV 20 K 155 MX 801	20	26	33	36	54	5	3.2	6	0.015	800	1.50
OV 20 K 474 MX 122	20	26	33	36	54	10	7.8	12	0.030	1200	0.47
OV 20 K 105 MX 122	20	26	33	36	54	10	7.8	12	0.030	1200	1.00
OV 20 K 155 MX 122	20	26	33	36	54	10	7.8	12	0.030	1200	1.50
OV 30 K 474 MX 801	30	38	47	50	77	5	4.5	6	0.015	800	0.47
OV 30 K 105 MX 801	30	38	47	50	77	5	4.5	6	0.015	800	1.00
OV 30 K 155 MX 801	30	38	47	50	77	5	4.5	6	0.015	800	1.50
OV 30 K 474 MX 122	30	38	47	50	77	10	10	12	0.030	1200	0.47
OV 30 K 105 MX 122	30	38	47	50	77	10	10	12	0.030	1200	1.00
OV 30 K 155 MX 122	30	38	47	50	77	10	10	12	0.030	1200	1.50
42 V Supply Voltage											
OV 40 K 474 MX 801	40	56	68	65	110	5	4.8	6	0.015	800	0.47
OV 40 K 105 MX 801	40	56	68	65	110	5	4.8	6	0.015	800	1.00
OV 40 K 155 MX 801	40	56	68	65	110	5	4.8	6	0.015	800	1.50
OV 40 K 474 MX 122	40	56	68	65	110	10	10.5	12	0.030	1200	0.47
OV 40 K 105 MX 122	40	56	68	65	110	10	10.5	12	0.030	1200	1.00
OV 40 K 155 MX 122	40	56	68	65	110	10	10.5	12	0.030	1200	1.50

"X" indicates X7R temperature characteristics; other capacitance values are available upon request.

Specifications are subject to change without notice.

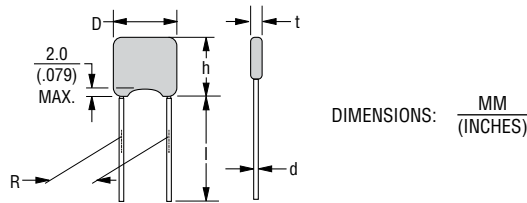
Users should verify actual device performance in their specific applications.

The products described herein and this document are subject to specific legal disclaimers as set forth on the last page of this document, and at www.bourns.com/docs/legal/disclaimer.pdf.

OV Series – Automotive Grade Dual Function Varicons

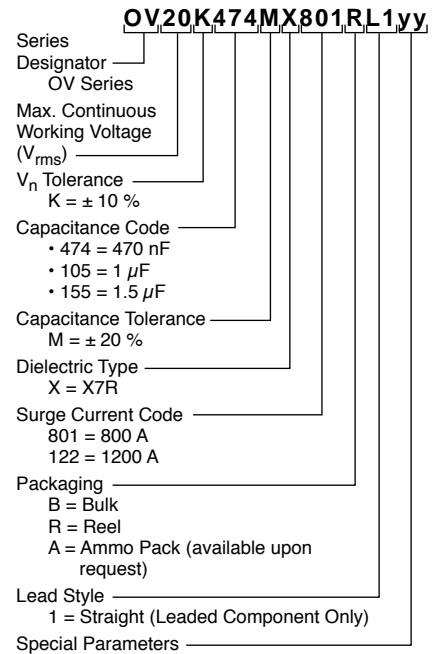


Product Dimensions



Surge Current Code	D max.	h max.	R	d	t max.
801	$\frac{7.5}{(.295)}$	$\frac{9.0}{(.354)}$	$\frac{5.0}{(.197)}$	$\frac{0.6}{(.024)}$	$\frac{5.5}{(.217)}$
122	$\frac{8.0}{(.315)}$	$\frac{12.0}{(.472)}$	$\frac{5.0}{(.197)}$	$\frac{0.6}{(.024)}$	$\frac{5.5}{(.217)}$

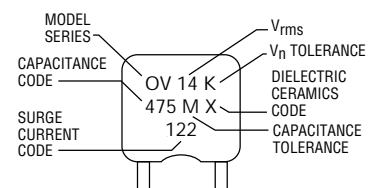
How to Order



Instructions for Creating Orderable Part Number:

- 1) Start with base part number in characteristics table (example: OV20K474MX801).
- 2) Add Packaging: R (example part number becomes OV20K474MX801R).
- 3) Add Lead Style: L1 (example part number becomes OV20K474MX801RL1).
- 4) Part number can have no spaces or lower case letters.

Typical Part Marking



Specifications are subject to change without notice.

Users should verify actual device performance in their specific applications.

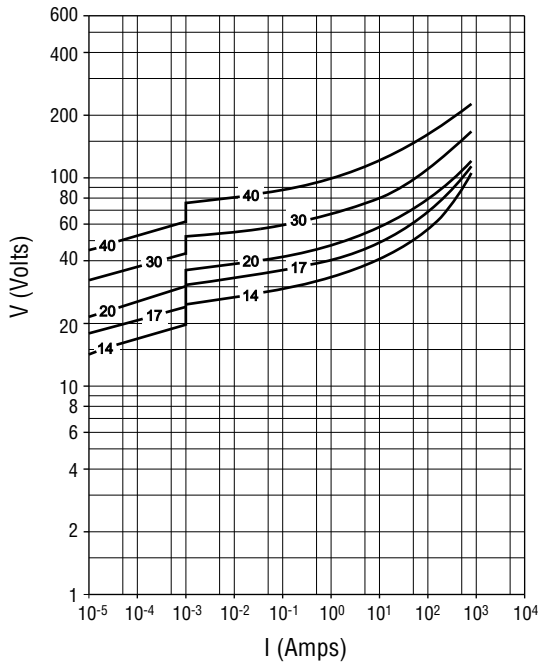
The products described herein and this document are subject to specific legal disclaimers as set forth on the last page of this document, and at www.bourns.com/docs/legal/disclaimer.pdf.

OV Series – Automotive Grade Dual Function Varicons

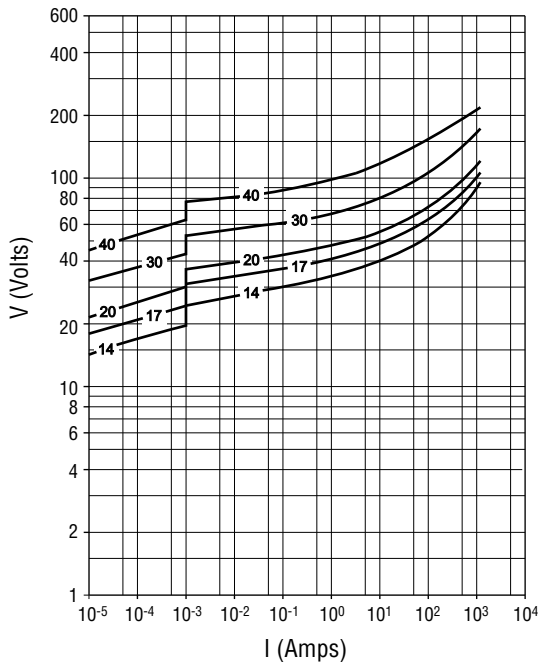
BOURNS®

Protection Level

Surge Current Code 801 - (OV14 ~ OV40)

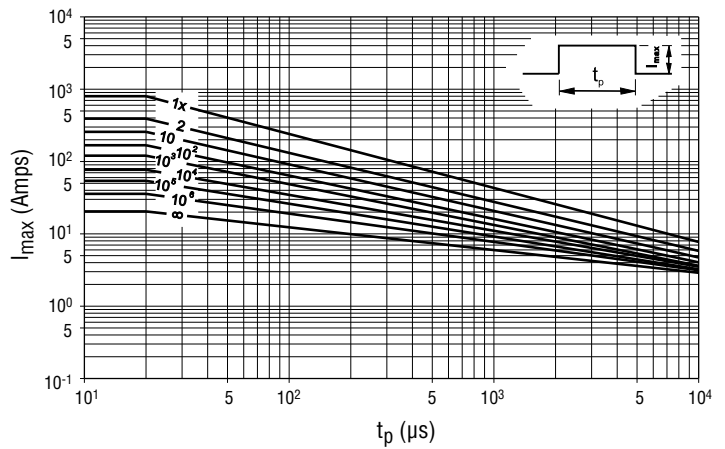


Surge Current Code 122 - (OV14 ~ OV40)

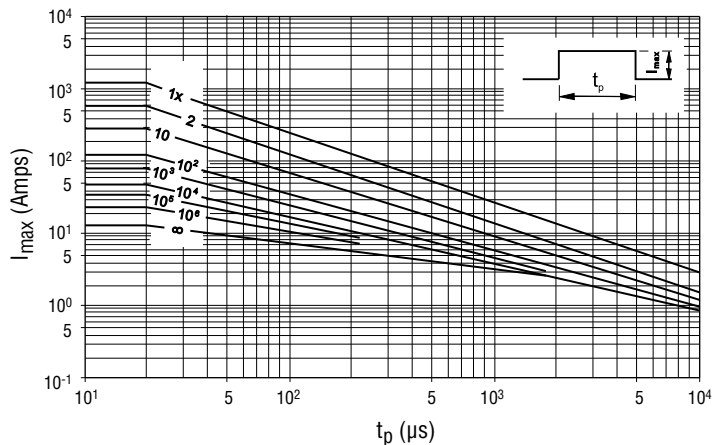


Pulse Rating Curves

Surge Current Code 801 - (OV14 ~ OV40)



Surge Current Code 122 - (OV14 ~ OV40)



Specifications are subject to change without notice.

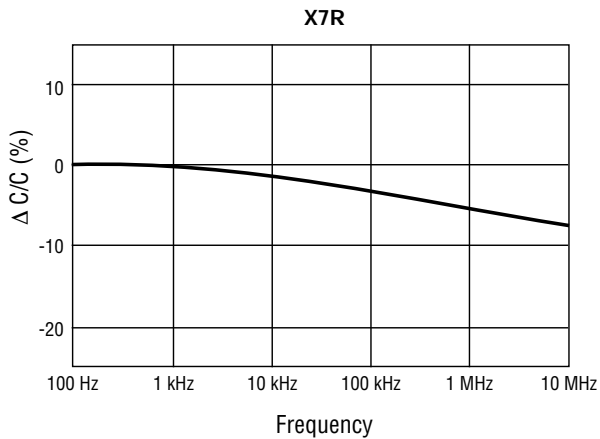
Users should verify actual device performance in their specific applications.

The products described herein and this document are subject to specific legal disclaimers as set forth on the last page of this document, and at www.bourns.com/docs/legal/disclaimer.pdf.

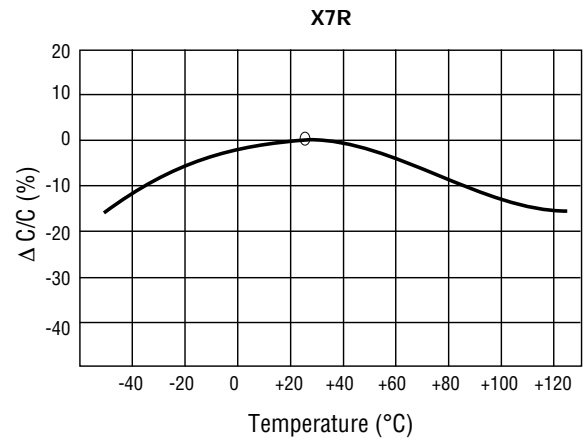
OV Series – Automotive Grade Dual Function Varicons

BOURNS®

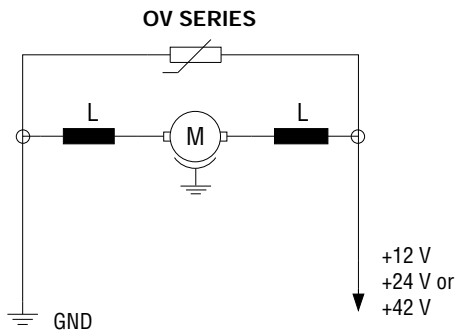
Capacitance - Frequency Characteristics



Capacitance - Temperature Characteristics



Application Circuit



Provides for the elimination of transients and EMI noise in automotive electronics such as engine control, exhaust gas control, safety systems, etc., against disturbances caused by small motors used in automobiles. Most frequently, small motors in an automobile are those used for windscreen wipers, window mechanisms, seat adjustments and automatic door locking.

Specifications are subject to change without notice.

Users should verify actual device performance in their specific applications.

The products described herein and this document are subject to specific legal disclaimers as set forth on the last page of this document, and at www.bourns.com/docs/legal/disclaimer.pdf.

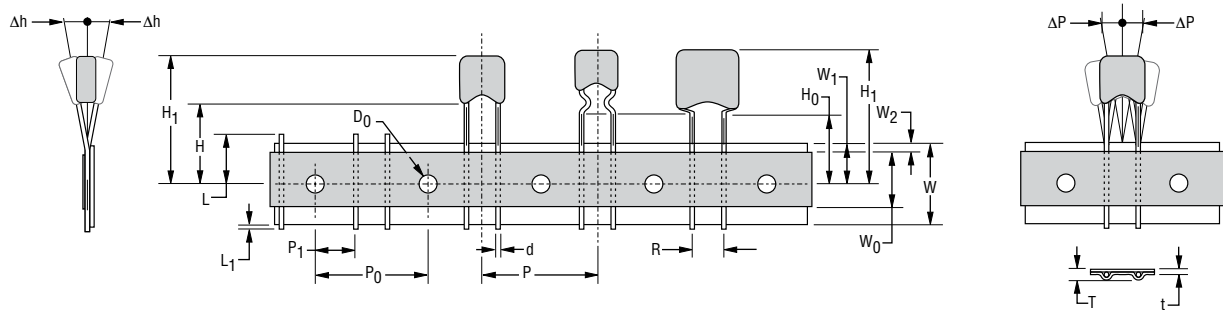
OV Series – Automotive Grade Dual Function Varicons

BOURNS®

Packaging Specifications

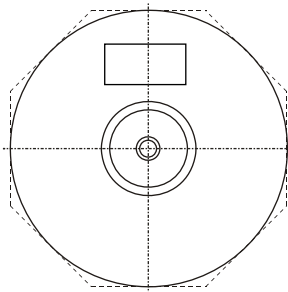
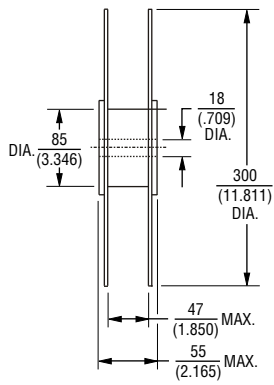
Tape

Conforms to IES Publication 286-2 Ed. 3: 2008-03



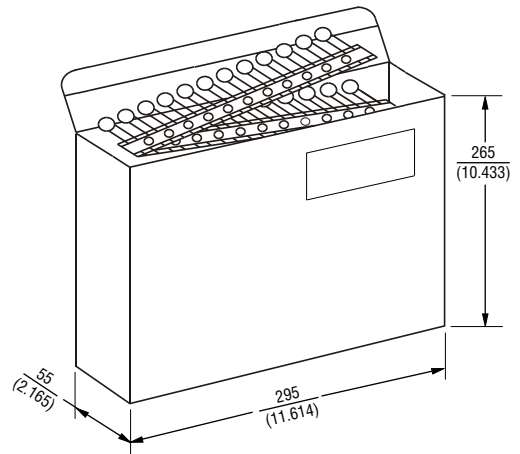
Dimensions on Next Page

Reel



DIMENSIONS: $\frac{\text{MM}}{\text{(INCHES)}}$

Ammo Pack (Available upon Special Request)



Specifications are subject to change without notice.

Users should verify actual device performance in their specific applications.

The products described herein and this document are subject to specific legal disclaimers as set forth on the last page of this document, and at www.bourns.com/docs/legal/disclaimer.pdf.

OV Series – Automotive Grade Dual Function Varicons

BOURNS®

Packaging Specifications - Tape (Continued)

Symbol	Parameter	Dimension
W	Carrier tape width	$\frac{18 +1.0/-0.5}{(.709 +.039/- .020)}$
W ₀	Hold down tape width	$\frac{5}{(.197)}$ MIN.
W ₁	Sprocket hole position	$\frac{9 +0.75/-0.5}{(.354 +.030/- .020)}$
W ₂	Distance between the upper edges of the carrier tape and hold down tape	$\frac{3}{(.118)}$ MAX.
T	Total tape thickness	$\frac{1.5}{(.059)}$ MAX.
t	Tape thickness	$\frac{0.9}{(.035)}$ MAX.
P	Pitch of component	$\frac{12.7 \pm 1.0}{(.500 \pm .039)}$
P ₀	Feed hole pitch	$\frac{12.7 \pm 0.3}{(.500 \pm .012)}$
P ₁	Feed hole center to pitch	$\frac{3.85 \pm 0.7}{(.152 \pm .028)}$
R	Lead spacing	$\frac{5 +0.5/-0.2}{(.197 +.020/- .008)}$
ΔP	Component alignment	$\frac{\pm 1.3}{(\pm .051)}$ MAX.
Δh	Component alignment	$\frac{\pm 2}{(\pm .079)}$ MAX.
d	Wire diameter	$\frac{0.6}{(.024)}$ MAX.
D ₀	Feed hold diameter	$\frac{4 \pm 0.2}{(.157 \pm .008)}$
H	Height from tape center to component base	$\frac{18 +2.0/-0.0}{(.709 +.079/- .000)}$
H ₀	Seating plane height	$\frac{16 \pm 0.5}{(.630 \pm .020)}$
H ₁	Component height	$\frac{32.2}{(1.268)}$ MAX.
L	Protrusion - cut out	$\frac{11}{(.433)}$ MAX.
L ₁	Protrusion - cut off	$\frac{0.5}{(.020)}$ MAX.

DIMENSIONS: $\frac{\text{MM}}{\text{(INCHES)}}$

Packaging Quantities

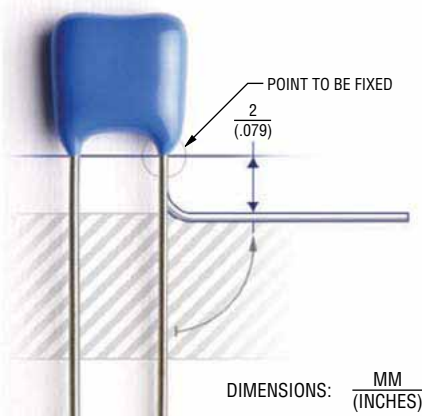
Bulk	1000
Reel	1000
Ammo Pack	1000

Specifications are subject to change without notice.

Users should verify actual device performance in their specific applications.

The products described herein and this document are subject to specific legal disclaimers as set forth on the last page of this document, and at www.bourns.com/docs/legal/disclaimer.pdf.

Assembly Recommendations for Through-Hole Components



Very often before soldering through-hole components, their leads get bent. It is important not to damage the components during lead bending. Damage most commonly incurred during bending is cracks in epoxy parts, which can lead to increased humidity sensitivity of a component and, consequentially, a shorter lifetime.

In order to avoid epoxy damage, it is necessary to:

- fix the most sensitive point (epoxy parts) of a component body
- bend the wire at least 2 mm below the end of epoxy parts

Other potential damage to a component which can lead to component failure or a shorter lifetime is thermal shock during manual soldering with a soldering iron. This can occur when a soldering iron is placed too close to one point of the component body and it happens most often when the solder joint is too close to the varistor body.

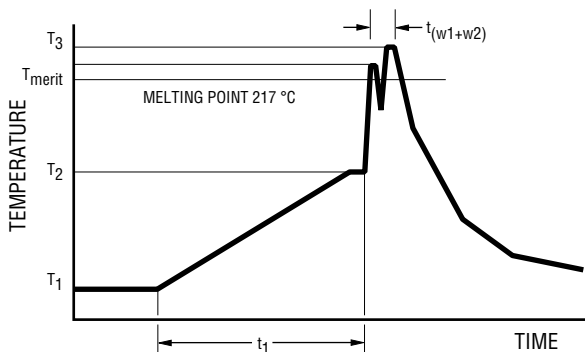
Resistance to Soldering Heat

In the case of automatic wave soldering, it is important to provide sufficient resistance to soldering heat. In order to prevent any potential problems, internal standards were introduced for testing the resistance to soldering heat of through-hole components: 300 °C, 10 seconds.

Pb-free Wave Soldering Profile Recommendations

Recommended soldering profiles for all above components are in accordance with JEDEC standard curves (J-STD-020D) and are, therefore, compatible with the Pb-free process.

Lead-free Wave Soldering Profile - Pb-free wave profile requirements for soldering heat resistance of components



Parameter	Symbol	Specification
Preheating temperature gradient		4 °C/sec. max.
Preheating time	t_1	2 to 5 min.
Min. preheating temperature	T_1	130 °C
Max. preheating temperature	T_2	180 °C
Melting temperature/point	T_{meltv}	217 °C
Time in wave soldering phase (w_1+w_2)	t_{w1+w2}	10 sec.
Max. wave temperature (w_1+w_2)	T_s	265 °C +0/-5 °C
Cooling temperature gradient		6° C/sec. max.
Temperature jump from T_2 to T_3 (w_1)	$T_{3(w1)} - T_2$	120 °C max
Time from 25 °C to T_3 (wave temperature)		8 min. max.

Specifications are subject to change without notice.

Users should verify actual device performance in their specific applications.

The products described herein and this document are subject to specific legal disclaimers as set forth on the last page of this document, and at www.bourns.com/docs/legal/disclaimer.pdf.

Reliability Testing Procedures

Varistor test procedures comply with CECC 42200, IEC 1051-1/2 (and AEC-Q200, if applicable). Test results are available upon customer request. Special tests can be performed upon customer request.

Reliability Parameter	Test	Tested According to	Condition to be Satisfied after Testing
AC/DC Bias Reliability	AC/DC Life Test	CECC 42200, Test 4.20 or IEC 1051-1, Test 4.20, AEC-Q200 Test 8 - 1000 h at UCT	$ \delta V_N (1 \text{ mA}) < 10 \%$
Pulse Current Capability	$I_{\text{max}} 8/20 \mu\text{s}$	CECC 42200, Test C 2.1 or IEC 1051-1, Test 4.5 10 pulses in the same direction at 2 pulses per minute at maximum peak current for 10 pulses	$ \delta V_N (1 \text{ mA}) < 10 \%$ no visible damage
Pulse Energy Capability	$W_{\text{max}} 10/1000 \mu\text{s}$	CECC 42200, Test C 2.1 or IEC 1051-1, Test 4.5 10 pulses in the same direction at 1 pulse every 2 minutes at maximum peak current for 10 pulses	$ \delta V_N (1 \text{ mA}) < 10 \%$ no visible damage
WLD Capability	WLD x 10	ISO 7637, Test pulse 5, 10 pulses at rate of 1 per minute	$ \delta V_N (1 \text{ mA}) < 15 \%$ no visible damage
V_{jump} Capability	V _{jump} 5 min.	Increase of supply voltage to $V \geq V_{\text{jump}}$ for 1 minute	$ \delta V_N (1 \text{ mA}) < 15 \%$ no visible damage
Environmental and Storage Reliability	Climatic Sequence	CECC 42200, Test 4.16 or IEC 1051-1, Test 4.17 a) Dry heat, 16h, UCT, Test Ba, IEC 68-2-2 b) Damp heat, cyclic, the first cycle: 55 °C, 93 % RH, 24 h, Test Db 68-2-4 c) Cold, LCT, 2 h, Test Aa, IEC 68-2-1 d) Damp heat cyclic, remaining 5 cycles: 55 °C, 93 % RH, 24 h/cycle, Test Bd, IEC 68-2-30	$ \delta V_N (1 \text{ mA}) < 10 \%$
	Thermal Shock	CECC 42200, Test 4.12, Test Na, IEC 68-2-14, AEC-Q200 Test 16, 5	$ \delta V_N (1 \text{ mA}) < 10 \%$ no visible damage
	Steady State Damp Heat	CECC 42200, Test 4.17, Test Ca, IEC 68-2-3, AEC-Q200 Test 6, 56 days, 40 °C, 93 % RH, AEC-Q200 Test 7: Bias, Rh, T all at 85.	$ \delta V_N (1 \text{ mA}) < 10 \%$
	Storage Test	IEC 68-2-2, Test Ba, AEC-Q200 Test 3, 1000 h at maximum storage temperature	$ \delta V_N (1 \text{ mA}) < 5 \%$

Continued on Next Page

Reliability Testing Procedures (Continued)

Reliability Parameter	Test	Tested According to	Condition to be Satisfied after Testing
Mechanical Reliability	Solderability	CECC 42200, Test 4.10.1, Test Ta, IEC 68-2-20 solder bath and reflow method	Solderable at shipment and after 2 years of storage, criteria: >95% must be covered by solder for reflow meniscus
	Resistance to Soldering Heat	CECC 42200, Test 4.10.2, Test Tb, IEC 68-2-20 solder bath nad reflow method	$ ΔV_{11}(1\text{ mA}) < 5\%$
	Terminal Strength	JIS-C-6429, App. 1, 18N for 60 sec. - same for AEC-Q200 Test 22	No visual damage
	Board Flex	JIS-C-6429, App. 2, 2 mm min. AEC-Q200 test 21 - Board flex: 2 mm flex min.	$ ΔV_{11}(1\text{ mA}) < 2\%$ No visible damage
	Vibration	CECC 42200, Test 4.15, Test Fc, IEC 68-2-6, AEC-Q200 Test 14 Frequency range 10 to 55 Hz (AEC: 10-2000 Hz) Amplitude 0.75 m/s ² or 98 m/s ² (AEC: 5 g for 20 minutes) Total duration 6 h (3x2 h) (AEC: 12 cycles each of 3 directions) Waveshape - half sine	$ ΔV_{11}(1\text{ mA}) < 2\%$ No visible damage
	Mechanical Shock	CECC 42200, Test 4.14, Test Ea, IEC 68-2-27, AEC-Q200 Test 13. Acceleration = 490 m/s ² (AEC: MIL-STD-202-Method 213), Pulse duration = 11 ms, Waveshape - half sine; Number of shocks = 3x6	$ ΔV_{11}(1\text{ mA}) < 10\%$ No visible damage
Electrical Transient Conduction	ISO-7637-1 Pulses	AEC-Q200 Test 30: Test pulses 1 to 3. Also other pulses - freestyle.	$ ΔV_{11}(1\text{ mA}) < 10\%$ No visible damage

Specifications are subject to change without notice.

Users should verify actual device performance in their specific applications.

The products described herein and this document are subject to specific legal disclaimers as set forth on the last page of this document, and at www.bourns.com/docs/legal/disclaimer.pdf.

Terminology

Term	Symbol	Definition
Rated AC Voltage	V_{rms}	Maximum continuous sinusoidal AC voltage (<5 % total harmonic distortion) which may be applied to the component under continuous operation conditions at +25 °C
Rated DC Voltage.....	V_{dc}	Maximum continuous DC voltage (<5 % ripple) which may be applied to the component under continuous operating conditions at +25 °C
Supply Voltage.....	V	The voltage by which the system is designated and to which certain operating characteristics of the system are referred; $V_{rms} = 1.1 \times V$
Leakage Current.....	I_{dc}	The current passing through the varistor at V_{dc} and at +25 °C or at any other specified temperature
Varistor Voltage	V_n	Voltage across the varistor measured at a given reference current (I_n)
Reference Current.....	I_n	Reference current = 1 mA DC
Clamping Voltage	V_c	The peak voltage developed across the varistor under standard atmospheric conditions, when passing an 8/20 μs class current pulse
Protection Level		
Class Current.....	I_c	A peak value of current which is 1/10 of the maximum peak current for 100 pulses at two per minute for the 8/20 μs pulse
Voltage Clamping Ratio.....	V_c/V_{app}	A figure of merit measure of the varistor clamping effectiveness as defined by the symbols V_c/V_{app} , where ($V_{app} = V_{rms}$ or V_{dc})
Jump Start Transient	V_{jump}	The jump start transient results from the temporary application of an overvoltage in excess of the rated battery voltage. The circuit power supply may be subjected to a temporary overvoltage condition due to the voltage regulation failing or it may be deliberately generated when it becomes necessary to boost start the car.
Rated Single Pulse	W_{max}	Energy which may be dissipated for a single 10/1000 μs pulse of a maximum rated current, with rated AC voltage or rated DC voltage also applied, without causing device failure
Transient Energy		
Load Dump Transient	WLD	Load Dump is a transient which occurs in automotive environments. It is an exponentially decaying positive voltage which occurs in the event of a battery disconnect while the alternator is still generating charging current with other loads remaining on the alternator circuit at the time of battery disconnect.
Rated Peak Single Pulse.....	I_{max}	Maximum peak current which may be applied for a single 8/20 μs pulse, with rated line voltage also applied, without causing device failure
Transient Current		
Rated Transient Average	P	Maximum average power which may be dissipated due to a group of pulses occurring within a specified isolated time period, without causing device failure at 25 °C
Power Dissipation		
Capacitance.....	C	Capacitance between two terminals of the varistor measured @ 1 kHz
Non-linearity Exponent	α	A measure of varistor nonlinearity between two given operating currents, I_n and I_1 as described by $I = k V \exp(a)$, where: - k is a device constant, - $I_1 < I < I_n$ and - $a \log(I_1/I_n)/\log(V_1/V_n) = 1/\log(V_1/V_n)$, where: - I_r is reference current (1 mA) and V_n is varistor voltage - $I_1 = 10 I_n$, V_1 is the voltage measured at I_1
Response Time.....	t_r	The time lag between application of a surge and varistor's "turn-on" conduction action
Varistor Voltage Temperature	TC	$(V_n @ 85 \text{ °C} - V_n @ 25 \text{ °C}) / (V_n @ 25 \text{ °C}) \times 60 \text{ °C} \times 100$
Coefficient		
Insulation Resistance	IR.....	Minimum resistance between shorted terminals and varistor surface
Isolation Voltage		The maximum peak voltage which may be applied under continuous operating conditions between the varistor terminations and any conducting mounting surface
Operating Temperature		The range of ambient temperature for which the varistor is designed to operate continuously as defined by the temperature limits of its climatic category
Climatic Category	LCT/UCT/DHD	LCT & UCT = Lower and Upper Category Temperature - the minimum and maximum ambient temperatures for which a varistor has been designed to operate continuously. DHD = Dump Heat Test Duration
Storage Temperature.....		Storage temperature range without voltage applied
Current/Energy Derating.....		Derating of maximum values when operated above UCT

REV. C 01/23

Specifications are subject to change without notice.

Users should verify actual device performance in their specific applications.

The products described herein and this document are subject to specific legal disclaimers as set forth on the last page of this document, and at www.bourns.com/docs/legal/disclaimer.pdf.

This legal disclaimer applies to purchasers and users of Bourns® products manufactured by or on behalf of Bourns, Inc. and its affiliates (collectively, “Bourns”).

Unless otherwise expressly indicated in writing, Bourns® products and data sheets relating thereto are subject to change without notice. Users should check for and obtain the latest relevant information and verify that such information is current and complete before placing orders for Bourns® products.

The characteristics and parameters of a Bourns® product set forth in its data sheet are based on laboratory conditions, and statements regarding the suitability of products for certain types of applications are based on Bourns’ knowledge of typical requirements in generic applications. The characteristics and parameters of a Bourns® product in a user application may vary from the data sheet characteristics and parameters due to (i) the combination of the Bourns® product with other components in the user’s application, or (ii) the environment of the user application itself. The characteristics and parameters of a Bourns® product also can and do vary in different applications and actual performance may vary over time. Users should always verify the actual performance of the Bourns® product in their specific devices and applications, and make their own independent judgments regarding the amount of additional test margin to design into their device or application to compensate for differences between laboratory and real world conditions.

Unless Bourns has explicitly designated an individual Bourns® product as meeting the requirements of a particular industry standard (e.g., ISO/TS 16949) or a particular qualification (e.g., UL listed or recognized), Bourns is not responsible for any failure of an individual Bourns® product to meet the requirements of such industry standard or particular qualification. Users of Bourns® products are responsible for ensuring compliance with safety-related requirements and standards applicable to their devices or applications.

Bourns® products are not recommended, authorized or intended for use in nuclear, lifesaving, life-critical or life-sustaining applications, nor in any other applications where failure or malfunction may result in personal injury, death, or severe property or environmental damage. Unless expressly and specifically approved in writing by two authorized Bourns representatives on a case-by-case basis, use of any Bourns® products in such unauthorized applications might not be safe and thus is at the user’s sole risk. Life-critical applications include devices identified by the U.S. Food and Drug Administration as Class III devices and generally equivalent classifications outside of the United States.

Bourns expressly identifies those Bourns® standard products that are suitable for use in automotive applications on such products’ data sheets in the section entitled “Applications.” Unless expressly and specifically approved in writing by two authorized Bourns representatives on a case-by-case basis, use of any other Bourns® standard products in an automotive application might not be safe and thus is not recommended, authorized or intended and is at the user’s sole risk. If Bourns expressly identifies a sub-category of automotive application in the data sheet for its standard products (such as infotainment or lighting), such identification means that Bourns has reviewed its standard product and has determined that if such Bourns® standard product is considered for potential use in automotive applications, it should only be used in such sub-category of automotive applications. Any reference to Bourns® standard product in the data sheet as compliant with the AEC-Q standard or “automotive grade” does not by itself mean that Bourns has approved such product for use in an automotive application.

Bourns® standard products are not tested to comply with United States Federal Aviation Administration standards generally or any other generally equivalent governmental organization standard applicable to products designed or manufactured for use in aircraft or space applications. Bourns expressly identifies Bourns® standard products that are suitable for use in aircraft or space applications on such products’ data sheets in the section entitled “Applications.” Unless expressly and specifically approved in writing by two authorized Bourns representatives on a case-by-case basis, use of any other Bourns® standard product in an aircraft or space application might not be safe and thus is not recommended, authorized or intended and is at the user’s sole risk.

The use and level of testing applicable to Bourns® custom products shall be negotiated on a case-by-case basis by Bourns and the user for which such Bourns® custom products are specially designed. Absent a written agreement between Bourns and the user regarding the use and level of such testing, the above provisions applicable to Bourns® standard products shall also apply to such Bourns® custom products.

Users shall not sell, transfer, export or re-export any Bourns® products or technology for use in activities which involve the design, development, production, use or stockpiling of nuclear, chemical or biological weapons or missiles, nor shall they use Bourns® products or technology in any facility which engages in activities relating to such devices. The foregoing restrictions apply to all uses and applications that violate national or international prohibitions, including embargos or international regulations. Further, Bourns® products and Bourns technology and technical data may not under any circumstance be exported or re-exported to countries subject to international sanctions or embargoes. Bourns® products may not, without prior authorization from Bourns and/or the U.S. Government, be resold, transferred, or re-exported to any party not eligible to receive U.S. commodities, software, and technical data.

To the maximum extent permitted by applicable law, Bourns disclaims (i) any and all liability for special, punitive, consequential, incidental or indirect damages or lost revenues or lost profits, and (ii) any and all implied warranties, including implied warranties of fitness for particular purpose, non-infringement and merchantability.

For your convenience, copies of this Legal Disclaimer Notice with German, Spanish, Japanese, Traditional Chinese and Simplified Chinese bilingual versions are available at:

Web Page: <http://www.bourns.com/legal/disclaimers-terms-and-policies>

PDF: <http://www.bourns.com/docs/Legal/disclaimer.pdf>