

Features

- Maximum configuration: 128 pairs (8 x 32)
- Rotates 180 ° and locks into place for convenient front access to equipment terminations
- Bifurcated quick-clip insulation displacement connections (IDC)
- Universal mounting plate hole pattern is compatible with most frames
- Hinged front cover to safeguard personnel and cross-connections
- Locking mechanism safeguards connectors against accidental uncoupling
- Protective top cover shields equipment terminations from wire clipping or other debris
- Terminates 22 to 26 AWG conductors

Versablock® Rotating Terminal Block

Versablock® Rotating Terminal Blocks are a family of rotating terminal blocks that offer termination arrangements configured for decimal and octal pair-count applications.

The product family is intended for use on central office (CO) frames, private automatic branch exchange (PABX) frames or any application where a compact terminal block is required.

The Versablock® Rotating Terminal Block is a molded plastic assembly measuring 200 mm (7.875 in.) wide, 98.4 mm (3.875 in.) high and 121 mm (4.75 in.) deep.

A variety of cross-connect terminal counts is available up to 128 pairs. Cross-connect terminal options include both single and bifurcated wire-wrap and bifurcated quick-clip insulation displacement connection (IDC). Each Versablock® Rotating Terminal Block has a protective front cover to shield connections from wire clippings and other debris. The cover snaps on and off easily.

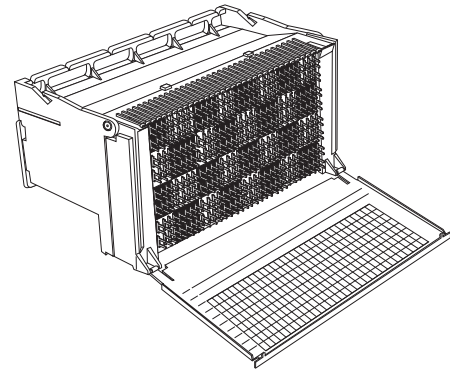
Jumper wires are routed through front and rear fanning strips. The front slots are aligned with the wire-dressing channels between terminal rows. This allows rapid cross-connect wire identification and promotes orderly dressing.

An integral locking system is employed on the connectors of connectorized units. This locking mechanism safeguards connectors against accidental uncoupling. The standard male connectors are equipped with windows that engage pre-installed spring clips at both ends of female cable connectors. The connectors may be readily disengaged by means of a ball-point pen or similar pointed object. This latching arrangement eliminates the need for additional locking hardware. Alternately, screws and tie-wraps may be used if desired.

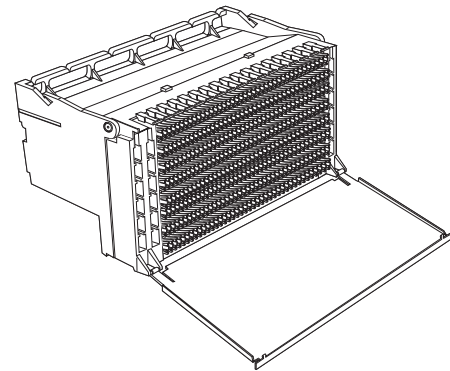
The following mounting hardware is provided with each Versablock® Rotating Terminal Connecting Block:

- Two 12-24 x 3/8 inch screws
- Four 8-32 x 5/16 inch screws
- Four 8-32 hex nuts

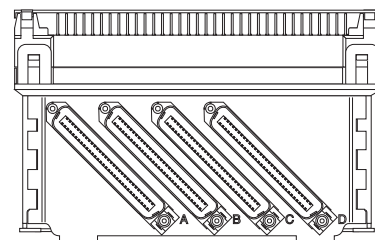
Note: A QTH38B tool is required for terminating cross-connect (jumper) wires on blocks ordered with the bifurcated quick-clip IDCs on the cross-connect field.



Versablock® Rotating Terminal Block Viewed From Jumper Side; Bifurcated Pins Shown



Versablock® Rotating Terminal Block Viewed From Jumper Side; Insulation Displacement Connection Pins Shown



Versablock® Rotating Terminal Block Bottom View; Connectorized Option Shown

Specifications are subject to change without notice.

Users should verify actual device performance in their specific applications.

The products described herein and this document are subject to specific legal disclaimers as set forth on the last page of this document, and at www.bourns.com/docs/legal/disclaimer.pdf.

Versablock® Rotating Terminal Block

BOURNS®

Specifications

Plastic Materials	Polycarbonate
Metal Parts	
Wire-wrap Terminals	Brass
IDC Terminals	Phosphor bronze
Plating	Hard, bright tin
Non-Connectorized Cable Connections	
Terminations	Wire-wrap
Cross-Connect (Jumper) Connections	
Terminations	Wire-wrap or IDC; contact resistance <1 milliohm change over product life
Dielectric Strength	2000 VDC
Insulation Resistance	>500 megohms
Environmental Conditions	For indoor use
Temperature Characteristics	-4 °F to +113 °F (-20 °C to +45 °C)
Practices	P0694232

Packaging Specifications

Standard Package	10 modules
Dimensions (H x W x D)	767.08 x 304.8 x 411.48 mm (30.2 x 12.0 x 16.2 in.)
Weight	11.7 kg (26.5 lbs.)

How to Order

Choose the Versablock® Rotating Terminal Block configuration that meets your requirements. The type and number of connectors, number of terminal pairs and terminal type should be taken into consideration.

Product Code	Part Number	Row & Column	Terminal Type, Cross-Connect	Terminal Type, Equipment	Applications
130-A4128L001	A0337920	8x32	128-pair bifurcated wire-wrap	Four 64-pin connectors (male)	DMS-100: lines
130-A4128W001	A0337925	8x32	128-pair single wire-wrap	Four 64-pin connectors (male)	DMS-10: lines; DMS-100: lines; GTD-5: misc.
130-A4128W002	A0337926	8x32	128-pair single wire-wrap	Four 64-pin connectors (male)	DMS-10: lines; DMS-100: trunks/ lines
130-A4128L011	A0337923	8x32	128-pair bifurcated wire-wrap	Four 64-pin connectors (male)	DMS-10: lines; DMS-100: lines
130-A4128W011	A0337928	8x32	128-pair single wire-wrap	Four 64-pin connectors (male)	DMS-100: lines
130-N0128L001	A0337625	8x32	128-pair bifurcated wire-wrap	Bifurcated wire-wrap	DMS-100: misc.; AT&T: trunk/lines/ special services
130-N0128W001	A0337626	8x32	128-pair single wire-wrap	Bifurcated wire-wrap	DMS-100: misc.; AT&T: trunk/toll/ special services
130-D5125W027	A0348396	8x32	125-pair single wire-wrap	Five 50-pin connectors (male)	-
130-D5120L005	A0337946	8x30	120-pair bifurcated wire-wrap	Five 50-pin connectors (male)	DMS-10: trunks/ peripheral equipment
130-D5120W005	A0389337	8x30	120-pair single wire-wrap	Five 50-pin connectors (male)	-

Note: Order by Part Number.

Specifications are subject to change without notice.

Users should verify actual device performance in their specific applications.

The products described herein and this document are subject to specific legal disclaimers as set forth on the last page of this document, and at www.bourns.com/docs/legal/disclaimer.pdf.

How to Order (Continued)

Product Code	Part Number	Row & Column	Terminal Type, Cross-Connect	Terminal Type, Equipment	Applications
130-N0120W020	A0337624	8x30	120-pair single wire-wrap	Bifurcated wire-wrap	AT&T: SMAS
130-D4100W012	A0355744	8x25	100-pair single wire-wrap	Four 50-pin connectors (male)	-
130-D4100L019	A0340090	8x25	100-pair bifurcated wire-wrap	Four 50-pin connectors (male)	-
130-D4100W019	A0397592	8x25	100-pair single wire-wrap	Four 50-pin connectors (male)	-
130-D4100L012	A0337940	8x25	100-pair single wire-wrap	Four 50-pin connectors (male)	NT5M Digital Announcer
130-N0100L012	A0337621	8x25	100-pair bifurcated wire-wrap	Bifurcated wire-wrap	AT&T: trunk/toll/special services
130-N0100W012	A0337622	8x25	100-pair single wire-wrap	Bifurcated wire-wrap	GTD-5: misc.; AT&T: trunk/toll/special services
130-D4096W015	A0337937	8x24	96-pair single wire-wrap	Four 50-pin connectors (male)	GTD-5: lines/misc.
130-N0096L013	A0337619	6x32	96-pair bifurcated wire-wrap	Bifurcated wire-wrap	-
130-N0096W013	A0333143	6x32	96-pair single wire-wrap	Bifurcated wire-wrap	-
130-N0096W014	A0333145	8x24	96-pair single wire-wrap	Bifurcated wire-wrap	-
QBB66QN8X32	A0330675	8x32	128-pair bifurcated quick-clip IDC	Bifurcated wire-wrap	-
QBB66QP8X32H4-00	A0330680	8x32	128-pair bifurcated quick-clip IDC	Four 64-pin connectors (male)	-
QBB66QP125SF5-42	A0393336	-	125-pair bifurcated quick-clip IDC	Five 50-pin connectors (male)	DMS-1U
QBB66QP6X40F6-39	A0375245	6x40	120-pair bifurcated quick-clip IDC	Six 50-pin connectors (male)	Wescom 931ERS
QBB66QN8X25	A0390886	8x25	100-pair bifurcated quick-clip IDC	Bifurcated wire-wrap	-
QBB66QN5X40	A0330673	5x40	100-pair bifurcated quick-clip IDC	Bifurcated wire-wrap	-
QBB66QP5X40F4-00	A0410440	5x40	100-pair bifurcated quick-clip IDC	Four 50-pin connectors (male)	-

Note: Order by Part Number.

BOURNS®

Asia-Pacific: Tel: +886-2 2562-4117 • Email: asiacus@bourns.com

EMEA: Tel: +36 88 885 877 • Email: eurocus@bourns.com

The Americas: Tel: +1-951 781-5500 • Email: americus@bourns.com

www.bourns.com

REV. A 10/19

Specifications are subject to change without notice.

Users should verify actual device performance in their specific applications.

The products described herein and this document are subject to specific legal disclaimers as set forth on the last page of this document, and at www.bourns.com/docs/legal/disclaimer.pdf.

This legal disclaimer applies to purchasers and users of Bourns® products manufactured by or on behalf of Bourns, Inc. and its affiliates (collectively, “Bourns”).

Unless otherwise expressly indicated in writing, Bourns® products and data sheets relating thereto are subject to change without notice. Users should check for and obtain the latest relevant information and verify that such information is current and complete before placing orders for Bourns® products.

The characteristics and parameters of a Bourns® product set forth in its data sheet are based on laboratory conditions, and statements regarding the suitability of products for certain types of applications are based on Bourns’ knowledge of typical requirements in generic applications. The characteristics and parameters of a Bourns® product in a user application may vary from the data sheet characteristics and parameters due to (i) the combination of the Bourns® product with other components in the user’s application, or (ii) the environment of the user application itself. The characteristics and parameters of a Bourns® product also can and do vary in different applications and actual performance may vary over time. Users should always verify the actual performance of the Bourns® product in their specific devices and applications, and make their own independent judgments regarding the amount of additional test margin to design into their device or application to compensate for differences between laboratory and real world conditions.

Unless Bourns has explicitly designated an individual Bourns® product as meeting the requirements of a particular industry standard (e.g., ISO/TS 16949) or a particular qualification (e.g., UL listed or recognized), Bourns is not responsible for any failure of an individual Bourns® product to meet the requirements of such industry standard or particular qualification. Users of Bourns® products are responsible for ensuring compliance with safety-related requirements and standards applicable to their devices or applications.

Bourns® products are not recommended, authorized or intended for use in nuclear, lifesaving, life-critical or life-sustaining applications, nor in any other applications where failure or malfunction may result in personal injury, death, or severe property or environmental damage. Unless expressly and specifically approved in writing by two authorized Bourns representatives on a case-by-case basis, use of any Bourns® products in such unauthorized applications might not be safe and thus is at the user’s sole risk. Life-critical applications include devices identified by the U.S. Food and Drug Administration as Class III devices and generally equivalent classifications outside of the United States.

Bourns expressly identifies those Bourns® standard products that are suitable for use in automotive applications on such products’ data sheets in the section entitled “Applications.” Unless expressly and specifically approved in writing by two authorized Bourns representatives on a case-by-case basis, use of any other Bourns® standard products in an automotive application might not be safe and thus is not recommended, authorized or intended and is at the user’s sole risk. If Bourns expressly identifies a sub-category of automotive application in the data sheet for its standard products (such as infotainment or lighting), such identification means that Bourns has reviewed its standard product and has determined that if such Bourns® standard product is considered for potential use in automotive applications, it should only be used in such sub-category of automotive applications. Any reference to Bourns® standard product in the data sheet as compliant with the AEC-Q standard or “automotive grade” does not by itself mean that Bourns has approved such product for use in an automotive application.

Bourns® standard products are not tested to comply with United States Federal Aviation Administration standards generally or any other generally equivalent governmental organization standard applicable to products designed or manufactured for use in aircraft or space applications. Bourns expressly identifies Bourns® standard products that are suitable for use in aircraft or space applications on such products’ data sheets in the section entitled “Applications.” Unless expressly and specifically approved in writing by two authorized Bourns representatives on a case-by-case basis, use of any other Bourns® standard product in an aircraft or space application might not be safe and thus is not recommended, authorized or intended and is at the user’s sole risk.

The use and level of testing applicable to Bourns® custom products shall be negotiated on a case-by-case basis by Bourns and the user for which such Bourns® custom products are specially designed. Absent a written agreement between Bourns and the user regarding the use and level of such testing, the above provisions applicable to Bourns® standard products shall also apply to such Bourns® custom products.

Users shall not sell, transfer, export or re-export any Bourns® products or technology for use in activities which involve the design, development, production, use or stockpiling of nuclear, chemical or biological weapons or missiles, nor shall they use Bourns® products or technology in any facility which engages in activities relating to such devices. The foregoing restrictions apply to all uses and applications that violate national or international prohibitions, including embargos or international regulations. Further, Bourns® products and Bourns technology and technical data may not under any circumstance be exported or re-exported to countries subject to international sanctions or embargoes. Bourns® products may not, without prior authorization from Bourns and/or the U.S. Government, be resold, transferred, or re-exported to any party not eligible to receive U.S. commodities, software, and technical data.

To the maximum extent permitted by applicable law, Bourns disclaims (i) any and all liability for special, punitive, consequential, incidental or indirect damages or lost revenues or lost profits, and (ii) any and all implied warranties, including implied warranties of fitness for particular purpose, non-infringement and merchantability.

For your convenience, copies of this Legal Disclaimer Notice with German, Spanish, Japanese, Traditional Chinese and Simplified Chinese bilingual versions are available at:

Web Page: <http://www.bourns.com/legal/disclaimers-terms-and-policies>

PDF: <http://www.bourns.com/docs/Legal/disclaimer.pdf>