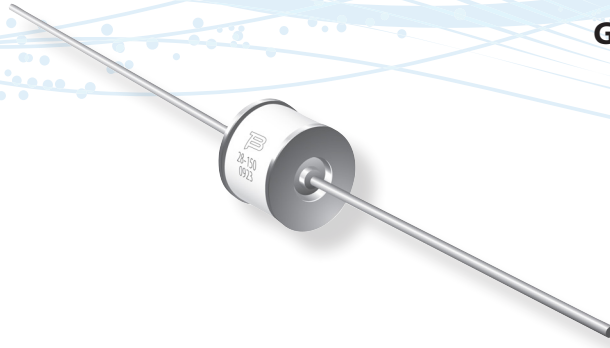




NEW PRODUCT RELEASE

GAS DISCHARGE TUBES



Bourns Expands its Next-Generation Gas Discharge Tube (GDT) Offering

Model GDT28H Series

Riverside, California – August 8, 2023 – Bourns is pleased to announce the addition of a new series to its innovative next-generation 2-electrode GDT line. The [Model GDT28H Series](#) continues Bourns' legacy of quality, innovation and design in GDT overvoltage surge arrestors and sets a new standard in speed and robustness.

Complementary to Bourns' previous next-generation GDT25 and GDT35 Series releases, this new high voltage range GDT provides significant improvements in protection from voltage transients caused by lightning and other AC power lines disturbances. The Model GDT28H next-generation series' high surge current handling capabilities also provide an enhanced level of voltage limiting during fast rising events while maintaining a compact size.

These features enable the GDT28H Series to be a great fit for the protection of AC lines and isolation applications. The new series is RoHS compliant* and UL recognized.

Bourns is also pleased to announce the release of the new [GDT28H Series Design Kit](#) - part number DK-GDT28H-01. This design kit contains five pieces of each selected model to provide design engineers with protection solutions for quick-turn prototype testing.

Features

- 1000 V - 3300 V breakdown voltages
- -40 °C to +125 °C operation
- High surge current rating
- High insulation resistance
- Quick response, long service life
- Design kit available for quick-turn prototype testing
- UL recognized
- RoHS compliant*

Applications

- Power supplies
- Medical devices (low/medium risk)**
- IEC 62368-1 compliant equipment
- HVAC
- Lighting

Please visit the Bourns website at [www.bourns.com/products/circuit-protection/gas-discharge-tube-\(gdt\)-surge-arrestors/2-electrode-gdts/high-voltage-series](http://www.bourns.com/products/circuit-protection/gas-discharge-tube-(gdt)-surge-arrestors/2-electrode-gdts/high-voltage-series) for details on Bourns® High Voltage 2-Electrode GDTs. If you have any questions, please contact [Bourns Customer Service/Inside Sales](#).

* RoHS Directive 2015/863, Mar 31, 2015 and Annex.

** Bourns® products have not been designed for and are not intended for use in "lifesaving," "life-critical" or "life-sustaining" applications nor any other application where failure or malfunction of the Bourns® product may result in personal injury or death. See Legal Disclaimer Notice <http://www.bourns.com/docs/legal/disclaimer.pdf>.