



PRODUCT EXTENSION RELEASE

CIRCUIT PROTECTION



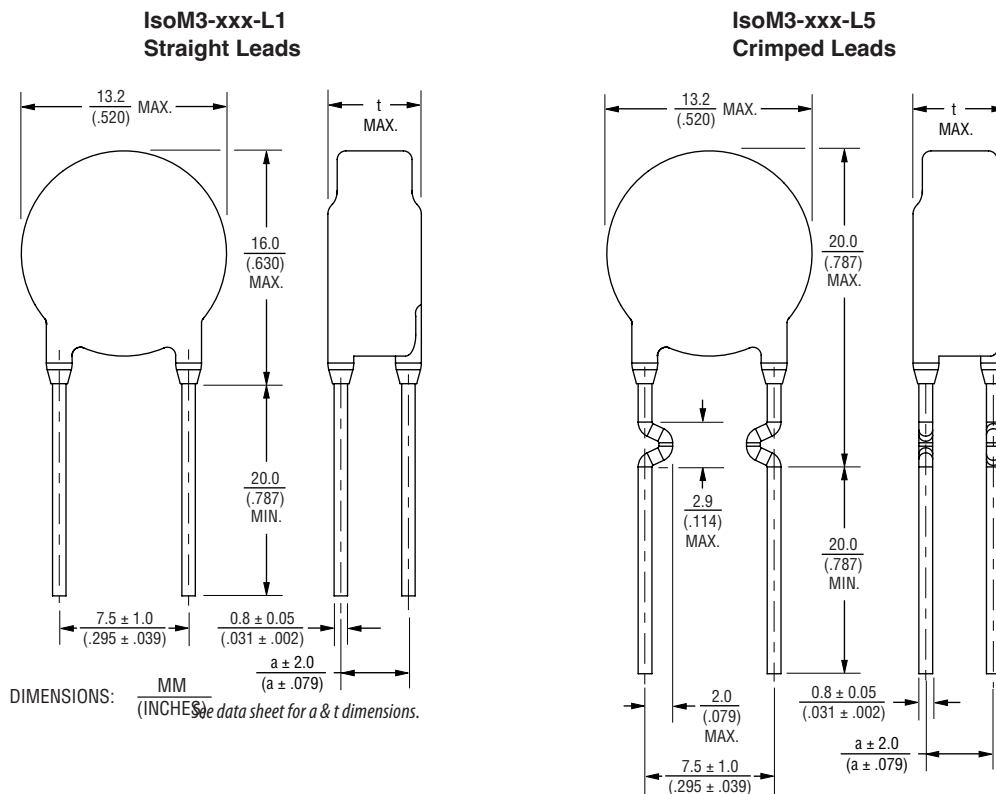
IsoMOV™

Bourns Announces New Lead Style Options

IsoMOV™ Hybrid Protection Component Series

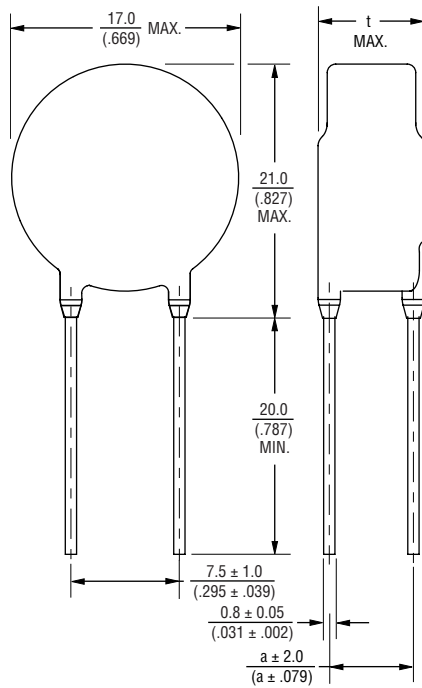
Riverside, California – August 31, 2023 – Bourns is pleased to announce the addition of two new lead configurations for the innovative [IsoMOV™ Hybrid Protection Component Series](#).

The following images depict the new straight (L1) and crimped (L5) lead configurations now being offered.



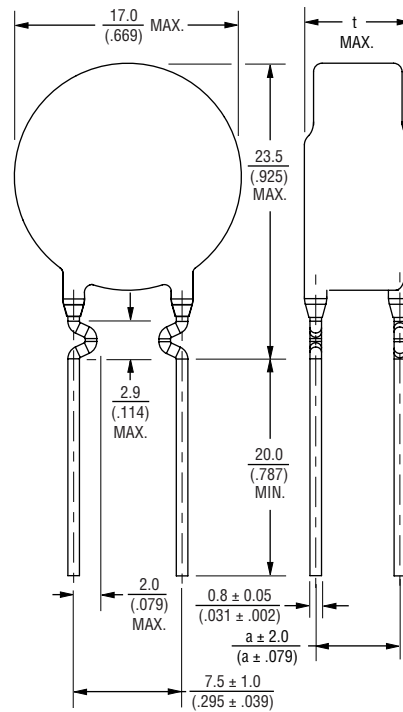
GDT2333

**IsoM5-xxx-L1
 Straight Leads**

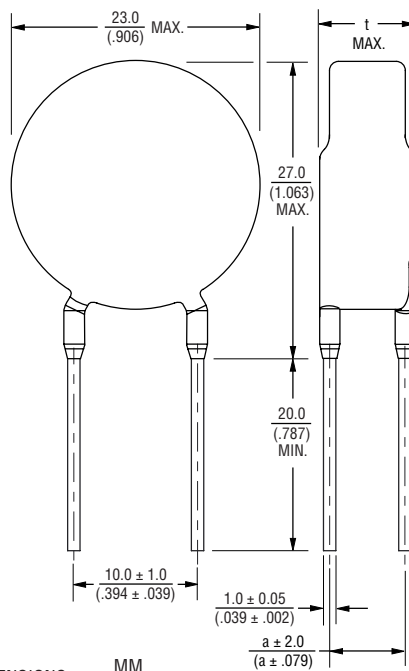


See data sheet for a & t dimensions.

**IsoM5-xxx-L5
 Crimped Leads**



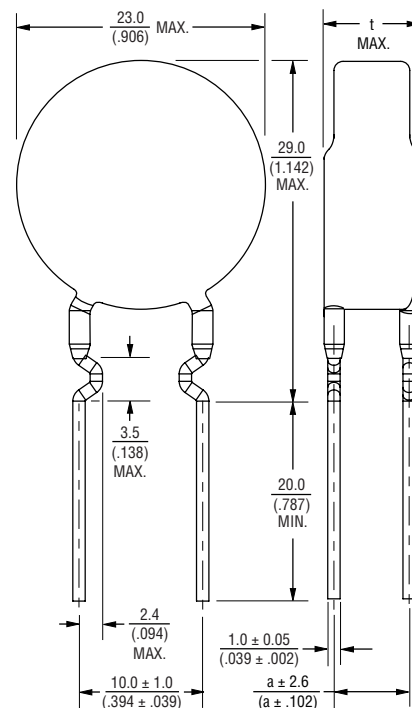
**IsoM8-xxx-L1
 Straight Leads**



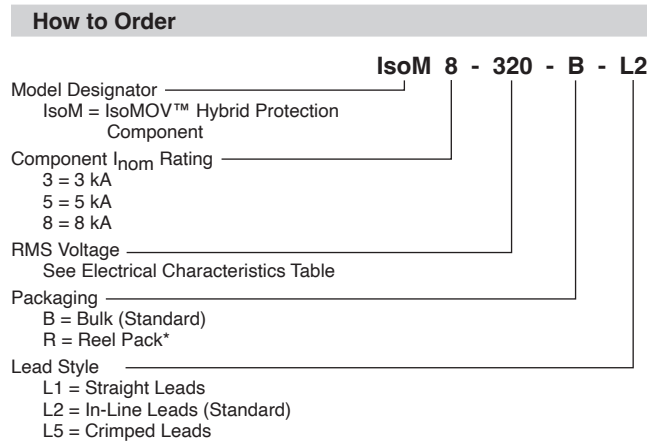
DIMENSIONS: $\frac{\text{MM}}{\text{(INCHES)}}$

See data sheet for a & t dimensions.

**IsoM8-xxx-L5
 Crimped Leads**



Ordering information is shown below:




*Reel Pack option not available for IsoM8 models.

Samples of the components with the new straight and crimped leads are available upon request.

If you have any questions or need additional information, please contact [Bourns Customer Service/ Inside Sales](#).

Features

- High energy handling density
- Hybrid (MOV and GDT) design
- Extended temperature range
- Ring-wave tolerant
- Low capacitance
- UL recognized 
- RoHS compliant*

Applications

- AC Line Protection
- White goods
 - Fire alarm systems
 - High value consumer goods
 - LED lighting
 - UL1449 SPD
 - Industrial equipment

DC Line Protection

- Solar inverters
- Power supplies
- Distribution systems