



Features

- Metal version
- Various housings (bushing lengths), shaft and rotary switches available
- Additional models and versions available
- Carbon resistive element



This model is obsolete and not recommended for new designs.

0503 - Rotary Potentiometer w/Switch

Characteristics

Mechanical Angle

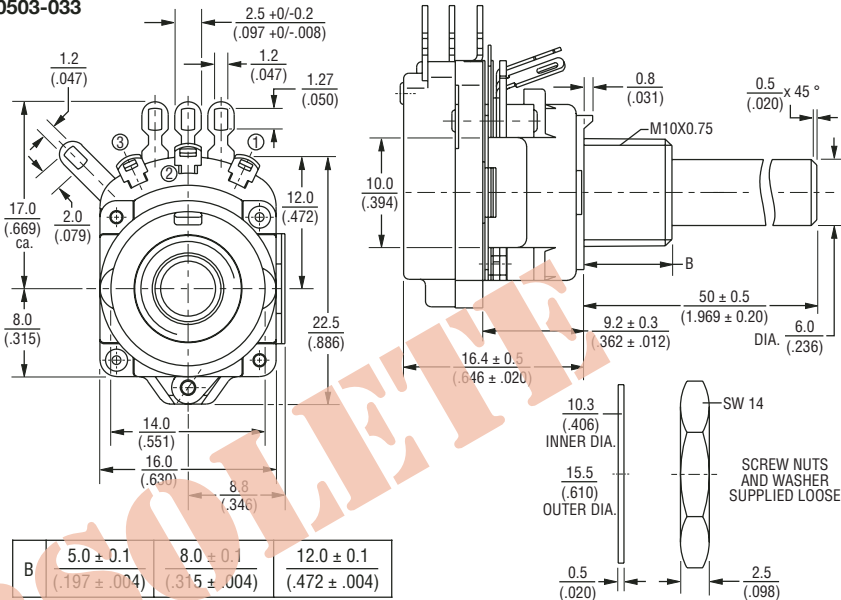
-310 ° (270 ° + 40 °)
- Starting Torque.....0.5 to 1.5 Ncm
- End Stop Strength.....60 Ncm
- Shaft Push-Pull Force.....100 N max.
- Resistance Range.....100 ohms to 4.7 megohms
- Resistance Taper.....Linear
- Power Rating.....0.2 W
- Switch Function.....1 pole on/change-over switch
- Switch Rating.....1 pole 250 V/1 A
- Switch Angle.....40 °
- Switch Torque.....3.5 Ncm to 7 Ncm
- Temperature Range.....-25 °C to +70 °C
- Rotational Life.....10,000 cycles
- Switch Life.....10,000 cycles

Standard Resistance Table

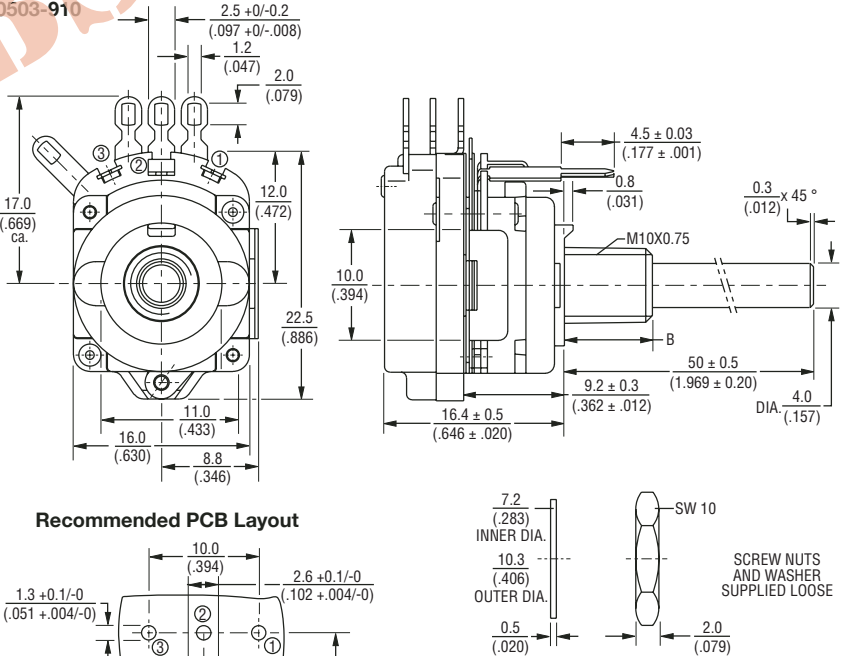
Resistance (Ohms)	Resistance Code
100	101
220	221
470	471
500	501
1,000	102
2,200	222
4,700	472
5,000	502
10,000	103
22,000	223
47,000	473
50,000	503
100,000	104
220,000	224
470,000	474
500,000	504
1,000,000	105

Product Dimensions

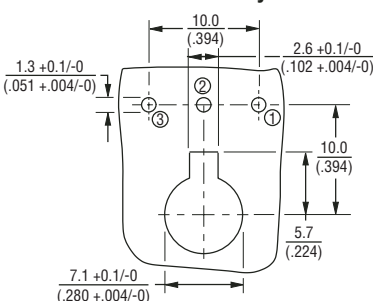
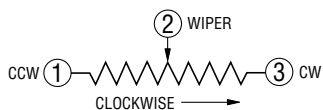
0503-033



0503-910



Recommended PCB Layout



B	5.0 ± 0.1 (.197 ± .004)	8.0 ± 0.1 (.315 ± .004)	12.0 ± 0.1 (.472 ± .004)
---	----------------------------	----------------------------	-----------------------------

DIMENSIONS ARE: $\frac{\text{MM}}{\text{(INCHES)}}$

*RoHS Directive 2002/95/EC Jan. 27, 2003 including annex and RoHS Recast 2011/65/EU June 8, 2011. Specifications are subject to change without notice. Customers should verify actual device performance in their specific applications.

0503 - Rotary Potentiometer w/Switch

BOURNS®

How to Order

0503 - 910 H 320 - A B 103

Model Type
• 0503

Terminal Style
Only
Avail. w/
Bushing
Code: K,M,N
Switch
Type: 1-pole
change-
over
• 910 G,H,U 1-pole
change-
over
Other versions avail.
on request.

Bushing & Shaft Type
U = 7 mmD x 8 mmL,
Shaft 4 mmD
H = 7 mmD x 5 mmL,
Shaft 4 mmD
G = 7 mmD x 12 mmL,
Shaft 4 mmD
K = 10 mmD x 8 mmL,
Shaft 6 mmD
M = 10 mmD x 5 mmL,
Shaft 6 mmD
N = 10 mmD x 12 mmL,
Shaft 6 mmD

Shaft Length
• 500 = 50 mm
Other lengths avail. upon request.

Independent Linearity
A = ± 5 %
B = ± 4 %
C = ± 3 %
Other versions avail. on request.

Element Taper
B = Linear Carbon ± 20 %
E = Linear Carbon ± 10 %
L = Linear Carbon ± 5 %

Resistance Code
Other versions available upon request.

OBSELETE