

### Features

- Screw-down connection
- Improved connection for better efficiency
- 2 x 16 mm<sup>2</sup> wire connection
- Adapted to Bourns® Model 1210 and 1250 Series Surge Protective Devices (SPDs)



This model is currently available but not recommended for new designs.

### Applications

- Electrical service entrance
- Branch panels

## Model 1200TA Terminal Adapter

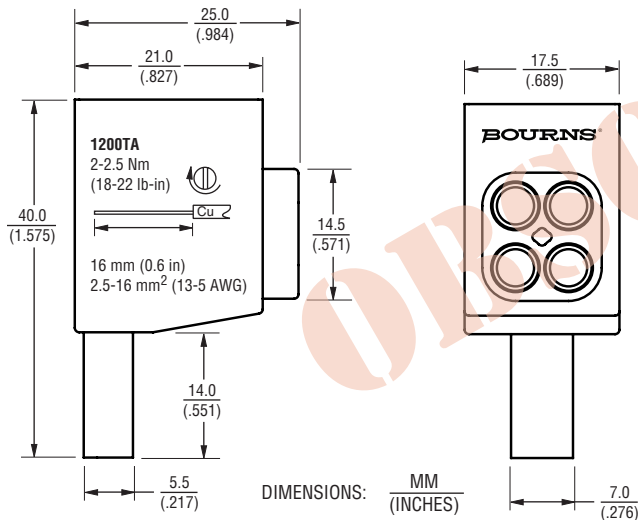
### Characteristics

The Bourns® Model 1200TA Terminal Adapter is designed to improve the wiring efficiency of Model 1210 and 1250 Series SPDs. This add-on adapter allows for efficient and safe parallel connections. This method of connection is highly recommended and minimizes voltage drops in parallel connections.

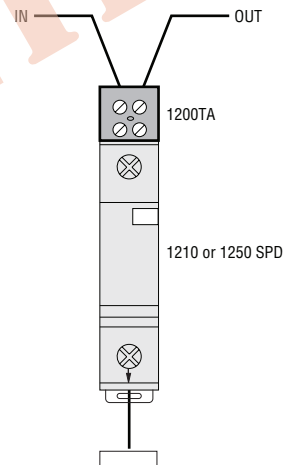
### Characteristics

Torque.....	2-2.5 Nm (18-22 lb-in)
Min.-Max. Cross Section .....	2.5-16 mm <sup>2</sup> (13-5 AWG)
Insulation Material .....	Polycarbonate UL-94V0
Metal Material.....	Brass
Mounting.....	Model 1210 & 1250 SPDs

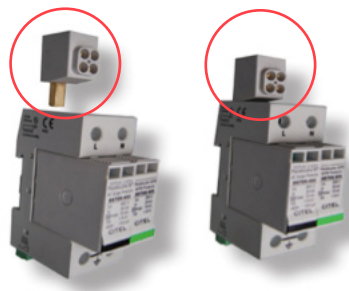
### Product Dimensions



### Electrical Diagram (1-pole)



### Installation



### How to Order

Bourns Part Number..... 1200TA

### Packaging Specifications

Standard Packaging ..... 8 pieces per package

REV. 05/23

Specifications are subject to change without notice.  
 Users should verify actual device performance in their specific applications.  
 The products described herein and this document are subject to specific legal disclaimers as set forth on the last page of this document, and at [www.bourns.com/docs/legal/disclaimer.pdf](http://www.bourns.com/docs/legal/disclaimer.pdf).