



Features

- Completely sealed and weatherproof construction
- Modular in design, allowing for second pair addition to the ground mounting stud
- Failsafe switch-grade shorting mechanism
- Modular design fits most Network Interface Devices



Models 356M 2377-01 and 2377-01-X1 are currently available but not recommended for new designs. Models 2377-35-G and 2377-35-G-IDC are preferred.

-  Listed per UL 497 (File: E53117)

Model 356M – 3-Pole Sealed Gas Tube Station Protector

Bourns® 356 type Station Protectors are designed to provide primary protection on conductors serving subscriber premises. The Model 356M provides protection against lightning surges, power-cross conditions and ground potential rises.

The protector element consists of a balanced, heavy-duty-rated, 3-pole Gas Tube with an external backup gap and a unique switch-grade shorting mechanism for each line. The Gas Tube is sealed in a fire-resistant plastic body with plated #10 brass studs, washers and hex nuts for connection to one subscriber pair. A plated brass ground connector is slotted to fit the ground connection points of station protector housings and network interface devices.

Characteristics (Each line-to-ground)

Tested per IEEE C62.31, UL 497, RUS PE80, UL Listed (UL 497), RUS Accepted.

DC Breakdown @ 100 V/sec	300-500 V
Impulse Breakdown 100 V/μsec	600 V
10 V/μsec	850 V
100 V/μsec, vented	1200 V
Insulation Resistance @ 100 Vdc	10 ¹⁰ Ω
Capacitance @ 1 kHz	15 pF
DC Extinguishing (Network Applied) @ 52 V, 135 V, 150 V	<150 msec
Impulse Life Characteristics	
500 A, 10/1000 μsec	>400 operations
10,000 A, 8/20 μsec	>1 operations
AC Life Characteristics	
>65 A, 11 cycles	1 operation
Operating Temperature	-55 to +85 °C

Line to Line voltage is approximately 1.8 to 2 times the stated Line to Ground breakdown voltage.

Model 356M – 3-Pole Sealed Gas Tube Station Protector

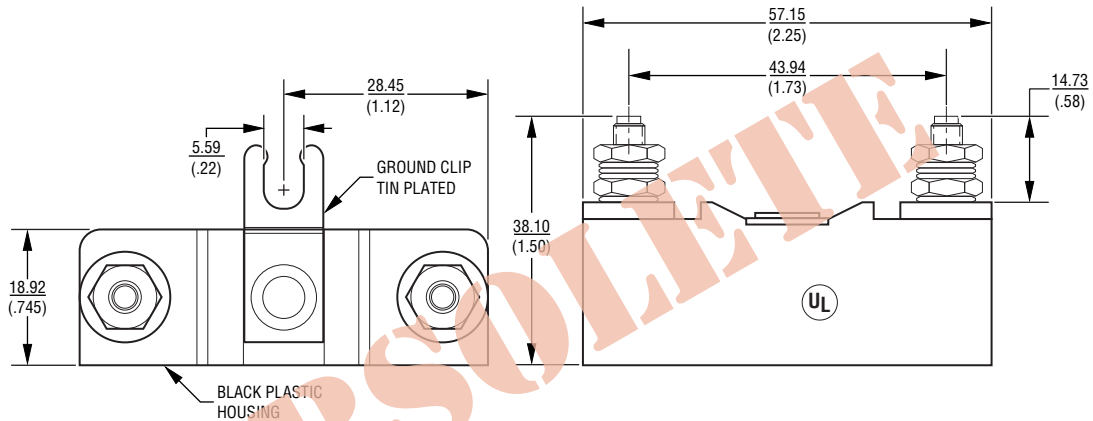
BOURNS®

How To Order

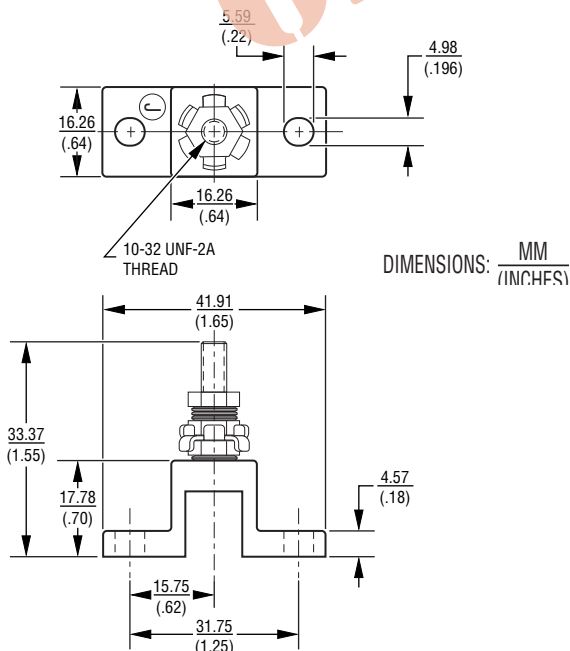
Model	Protector or Mounting Stud Only	1 Protector with Mounting Stud	2 Protectors with Mounting Stud
356M	2377-01	2377-01-X1	2377-01-X2
Mounting Stud	2372-02	-	-

Product Dimensions

2377-01



2372-02 Ground Mounting Stud (order separately)



BOURNS®

Asia-Pacific:

Tel: +886-2 2562-4117

Fax: +886-2 2562-4116

Europe:

Tel: +41-41 768 5555

Fax: +41-41 768 5510

The Americas:

Tel: +1-951 781-5500

Fax: +1-951 781-5700

www.bourns.com

REV. E 11/12

Specifications are subject to change without notice.

Customers should verify actual device performance in their specific applications.