


Features

- Cosmic frame compatible with Heat Coils for sneak current protection on standard 2402/05 modules
- For use in Building Entrance Terminals, Standard Central Office, 5ESS & PBX equipment
- GDT is UL/Telcordia compliant for use without Air Back-up Gap
- Fast response to transients and long surge life
- All models meet Telcordia requirements
- Color coded to Bell and independent standards
-  Listed per UL 497

240X Series – 5-Pin Gas Tubes

Bourns® 5-Pin 240X Series Gas Tube modules provide primary overvoltage protection for twisted pair copper communication circuits. The industry standard 5-pin design fits Central Office and remote terminal applications.

Characteristics

Tested per IEEE C62.31, UL 497, CSA C22.2, Telcordia (Bellcore) GR-1361, Telcordia Analysis Reports AR-TSY-000148 and AR-TSY-000343.

	Model 2401 / 2402	Model 2405
DC Breakdown		
100 V/s to .02 V/μs	265-500 V	215-265 V
2 V/μs		<350 V
Impulse Breakdown @ 100 V/μs - Nominal	600 V	600 V
Insulation Resistance @ 100 Vdc	>10 ⁸ Ω	>10 ⁸ Ω
Capacitance, (L-G) 1 MHz	<10 pF	<5 pF
Impulse Reset (DC Extinguishing)		
52 V, 260 mA	<150 ms	<150 ms
135 V, 200 mA	<150 ms	<150 ms
150 V, 140 mA	<150 ms	<150 ms
Impulse Life Characteristics		
10 A, 10/1000 μs	> 3000 ops	> 1500 ops
100 A, 10/1000 μs	> 300 ops	> 150 ops
300 A, 10/1000 μs	> 100 ops	> 5 ops
AC Life Characteristics		
0.5 A rms continuous	> 30 seconds	> 30 seconds
1 A rms, 1 second	> 60 operations	> 60 operations
10 A rms, 1 second	> 20 operations	> 20 operations
Sneak Current Characteristics - Heat Coil (3.45 Ω)		
350 mA continuous	>3 hours	>3 hours
540 mA continuous	<210 seconds	<210 seconds
Sneak Current Characteristics - Heat Coil (0.225 Ω)		
1.2 A continuous	>3 hours	>3 hours
1.875 A continuous	<210 seconds	<210 seconds
Fire Hazard/High Current Capability - 30 A, rms, 15 minutes	Meets Bellcore /	Meets Bellcore /
	UL requirement	UL requirement
Operating Temperature	-55 to +85 °C	-55 to +85 °C



Reliable Electronic Solutions

Asia-Pacific:

TEL +886- (0)2 25624117 • FAX +886- (0)2 25624116

Europe:

TEL +41-41 7685555 • FAX +41-41 7685510

North America:

TEL +1-951 781-5500 • FAX +1-951 781-5700

www.bourns.com

REV. F 09/04

Specifications are subject to change without notice.
Customers should verify actual device performance in their specific applications.

240X Series – 5-Pin Gas Tubes

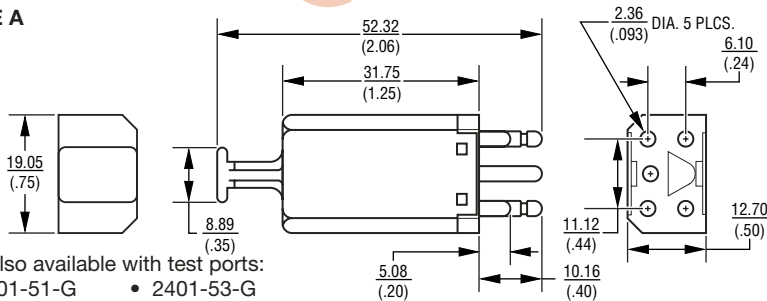
BOURNS®

How To Order

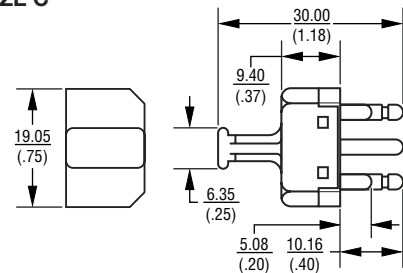
Part #	Type	Color	Protection Type	Circuit	Size
No Heat Coil					
2401-31-G	3B1E	Black	Voltage	Standard	A
2401-32-G	3B2E	Green	Voltage	Denied Service	A
2401-33-G	3B3E	Red	Voltage	Special Service	A
2401-34-G	3B4E	Yellow	Voltage	PBX Battery	A
2401-51-G	W/ Test Ports	Black	Voltage	Standard	A
2401-53-G	W/ Test Ports	Red	Voltage	Special Service	A
With Heat Coil					
2402-41-G	4B1E, 4C1E	Black	Voltage/Current	Standard	B
2402-42-G	4B2E, 4C2E	Green	Voltage	Denied Service	B
2402-43-G	4B3E	Red	Voltage/Current	Special Service	B
2402-44-G	4B4E, 4C4E	Yellow	Voltage/Current	PBX Battery	B
2402-45-G	4B9E, 4C4E	White	Voltage/Current	Tip & Ring Rev	B
2402-46-G	4B11E, 4C11E	Orange	Voltage/Current	Mini-bridge Lifter	B
2402-47-G	4C12C	Gray	None	-	B
#5ESS Type With Heat Coil					
2405-01-G	4C1F	Black	Voltage/Current	Standard	B
2405-02-G	4C2F	Green	Voltage	Denied Service	B
2405-03-G	4C3F	Red	Voltage/Current	Special Service	B
2405-04-G	4C4F	Yellow	Voltage/Current	PBX Battery	B
2405-05-G	4C5F	White	Voltage/Current	Tip & Ring Rev	B
2405-06-G	4C6F	Orange	Voltage/Current	Mini-bridge Lifter	B
Continuity Only – No Protection					
2403-01-G	5A1D	Gray	N/A	Standard	C
2403-02-G	5A2D	Green	N/A	Denied Service	C
2403-03-G	5A3D	Red	N/A	Special Service	C
2403-04-G	5A4D	Yellow	N/A	PBX Battery	C
2403-05-G	5A9D	White	N/A	Tip & Ring Rev	C
2403-07-G	-	Blue	N/A	Short to Ground	C

Product Dimensions

SIZE A



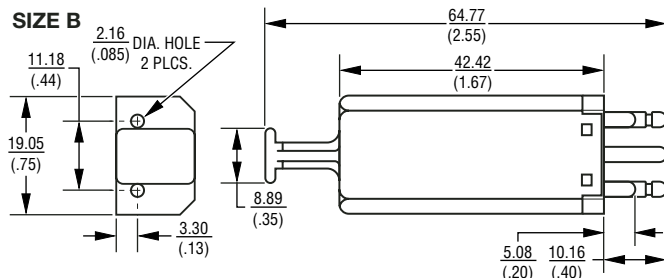
SIZE C



"A" also available with test ports:

- 2401-51-G
- 2401-53-G

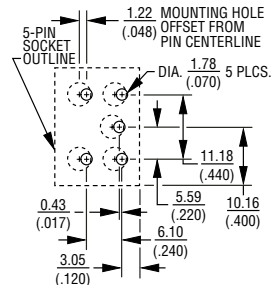
SIZE B



RECEPTACLE

85028 & 85025 DRILL-HOLE PATTERN

DIMENSIONS: $\frac{\text{MM}}{\text{(INCHES)}}$



Specifications are subject to change without notice.
Customers should verify actual device performance in their specific applications.