



TRIMPOT® Potentiometer
Model 3001
High Temperature, Humidity-Proof
Carbon Element

OBSOLETE

*OBSOLETE
 9/3/73
 NO DIRECT REPLACEMENT
 3006P IS CLOSEST CROSS BUT
 PIN OUT DIFFERENT*

FEATURES

- Space saver: (.75 x .16 x .31).
- 15-turn screwdriver adjustment.
- Meets mil specs for humidity, shock, vibration, etc.
- High temperature all-plastic case for operation to 150°C.
- Outstanding electrical stability.
- Bourns exclusive RESISTON® carbon infinite resolution element.
- Wiper assembly idles to prevent damage from forced adjustment.

Actual Size



3001

STANDARD RESISTANCES

Resistance (ohms)	Part Number*	
	3001P Printed Circuit Pins	
20,000	3001P-1-203	
50,000	3001P-1-503	
100,000	3001P-1-104	
200,000	3001P-1-204	

SPECIAL RESISTANCES AVAILABLE FROM 20,000 TO 1,000,000 OHMS

Resistance (ohms)	Part Number*	
	3001P Printed Circuit Pins	
500,000	3001P-1-504	
750,000	3001P-1-754	
1,000,000	3001P-1-105	

*The last three digits of the part number represent the resistance in standard code.

Model 3001 TRIMPOT® Potentiometer

SPECIFICATIONS

ELECTRICAL CHARACTERISTICS

Standard Resistance Range	20,000 to 1,000,000 ohms
Resistance Tolerance*	±20% standard, closer tolerances available
Absolute Minimum Resistance*	0 to 1.0% voltage ratio
Continuity*	Maintained for full mechanical range
Insulation Resistance, 500 volts DC*	100 megohms minimum
Contact Resistance Variation*	1.6% maximum

ENVIRONMENTAL CHARACTERISTICS

Power Ratings:	
70°C Ambient	0.20 watt or 300 volts maximum
110°C Ambient	0.10 watt or 300 volts maximum
150°C Ambient	0 watt
Operating Temperature Range	-65° to +150°C
Temperature Coefficient, Maximum	
20K ohms to 1 megohm	±400 ppm/°C
Moisture Resistance MIL-R-22097	100 megohms minimum insulation resistance after removal from chamber
Vibration	MIL-R-22097, 30Gs
Contact Bounce	0.1 millisecond maximum
Wiper Shift, Maximum	1.0% voltage ratio
Shock	MIL-R-22097, 100Gs
Contact Bounce and Wiper Shift	Same as vibration
Sand and Dust	Meets MIL-E-5272, Procedure 1

Salt Spray	Materials meet MIL-R-22097
Fungus	Materials meet MIL-E-5272
Load Life	1,000 hours per MIL-R-22097
Resistance Shift, Maximum	±10%
Mechanical Life	200 cycles without discontinuity
Dielectric Strength	MIL-R-22097
Room Conditions	1,000 volts AC
80,000 Feet (0.8" Hg)	400 volts AC

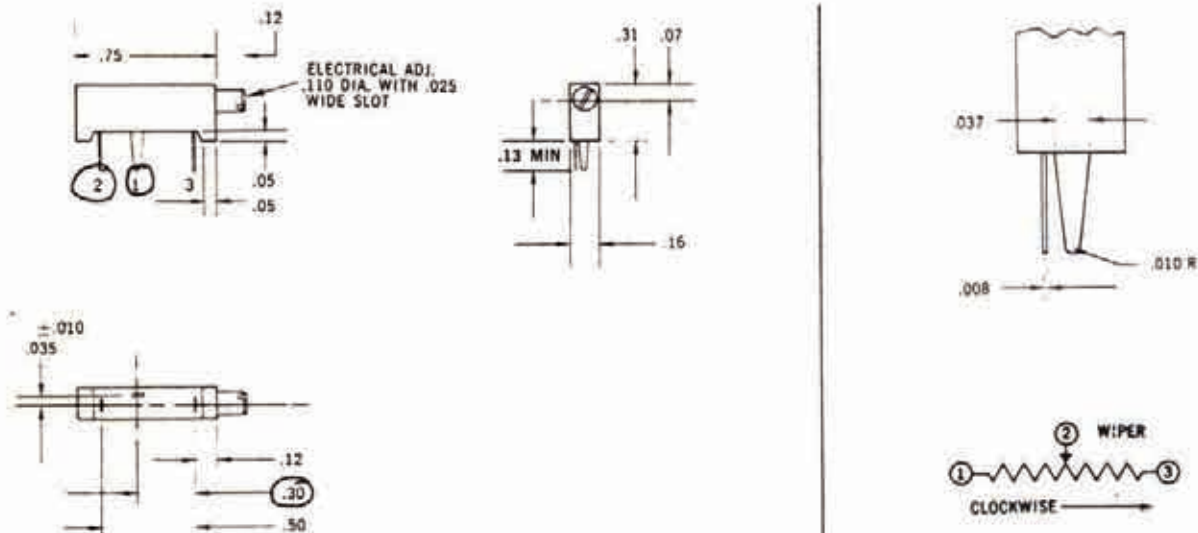
PHYSICAL CHARACTERISTICS

Shaft Torque*	5.0 oz.-in. maximum
Markings*	Manufacturer's name, wiring diagram, date code, resistance, and manufacturer's part number (customer's part number optional)
Appearance*	Legible markings, no physical defects
Mechanical Adjustment	15 turns nominal
Mechanical Stops*	Wiper assembly idles
Weight	Approximately 0.08 oz.
Terminals:	
P	Gold plated printed circuit pins

*Inspection Note: Applicable 100% or statistical sampling inspection performed to insure highest quality.

Specification Note: Closer performance tolerances can be supplied upon request. Specifications are subject to change without notice.

3001P



TOLERANCES EXCEPT AS SHOWN

xx = .010
xxx = .005

