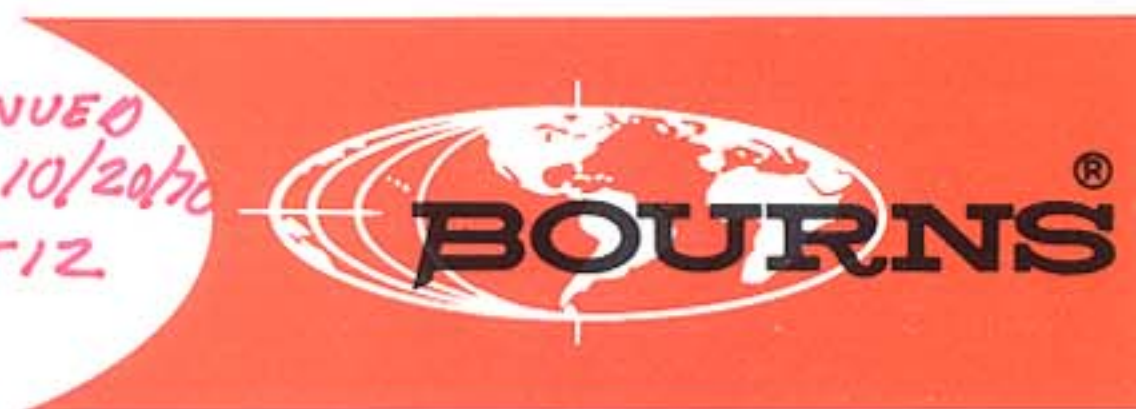


FEATURES

- Sealed against humidity, liquids and potting compounds. Meets or exceeds requirements of MIL-R-27208 (RT11)
- High power dissipation (1.0 watt at 70°C).
- High temperature all plastic case for operation to 175°C.
- SILVERWELD® termination alloys with multiple resistance wires eliminating vulnerable single wire termination.
- Stable wiper setting under extreme environmental conditions due to self-locking adjustment screw.

TRIMPOT® ADJUSTMENT POTENTIOMETER



MODEL 3010

INDUSTRIAL WIREWOUND POTENTIOMETER
1¼" LONG

OBSOLETE

STANDARD RESISTANCES

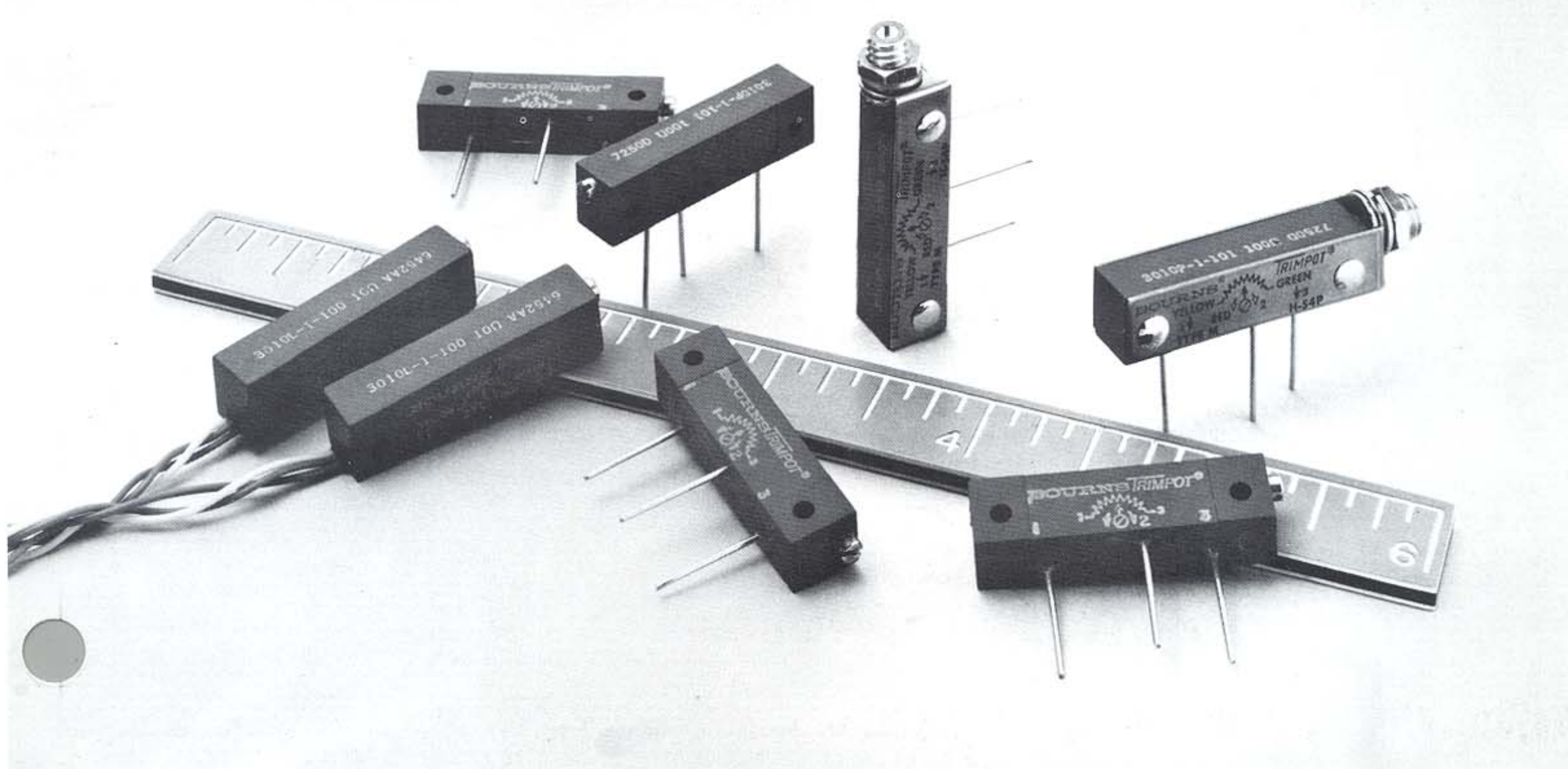
Resistance (ohms)	Part Numbers*		Nominal Resolution (percent)
	3010L Stranded Insulated Leads	3010P Printed Circuit Pins	
10	3010L-1-100	3010P-1-100	1.84
20	3010L-1-200	3010P-1-200	1.48
50	3010L-1-500	3010P-1-500	1.10
100	3010L-1-101	3010P-1-101	1.09
200	3010L-1-201	3010P-1-201	0.90
500	3010L-1-501	3010P-1-501	0.60
1,000	3010L-1-102	3010P-1-102	0.50

Resistance (ohms)	Part Numbers*		Nominal Resolution (percent)
	3010L Stranded Insulated Leads	3010P Printed Circuit Pins	
2,000	3010L-1-202	3010P-1-202	0.40
5,000	3010L-1-502	3010P-1-502	0.30
10,000	3010L-1-103	3010P-1-103	0.29
20,000	3010L-1-203	3010P-1-203	0.28
25,000	3010L-1-253	3010P-1-253	0.26
50,000	3010L-1-503	3010P-1-503	0.22
100,000	3010L-2-104	3010P-2-104	0.18

SPECIAL RESISTANCES AVAILABLE FROM 10Ω TO 100K

*The last three digits of the part number represent the resistance in standard code.

① When ordering Panel Mount Model, add "M" to part number. Example: 3010L-1-103M. See Panel Mount Bulletin for additional details.



BOURNS TRIMPOT® INDUSTRIAL WIREWOUND POTENTIOMETER 1¼" LONG MODEL 3010

ELECTRICAL CHARACTERISTICS

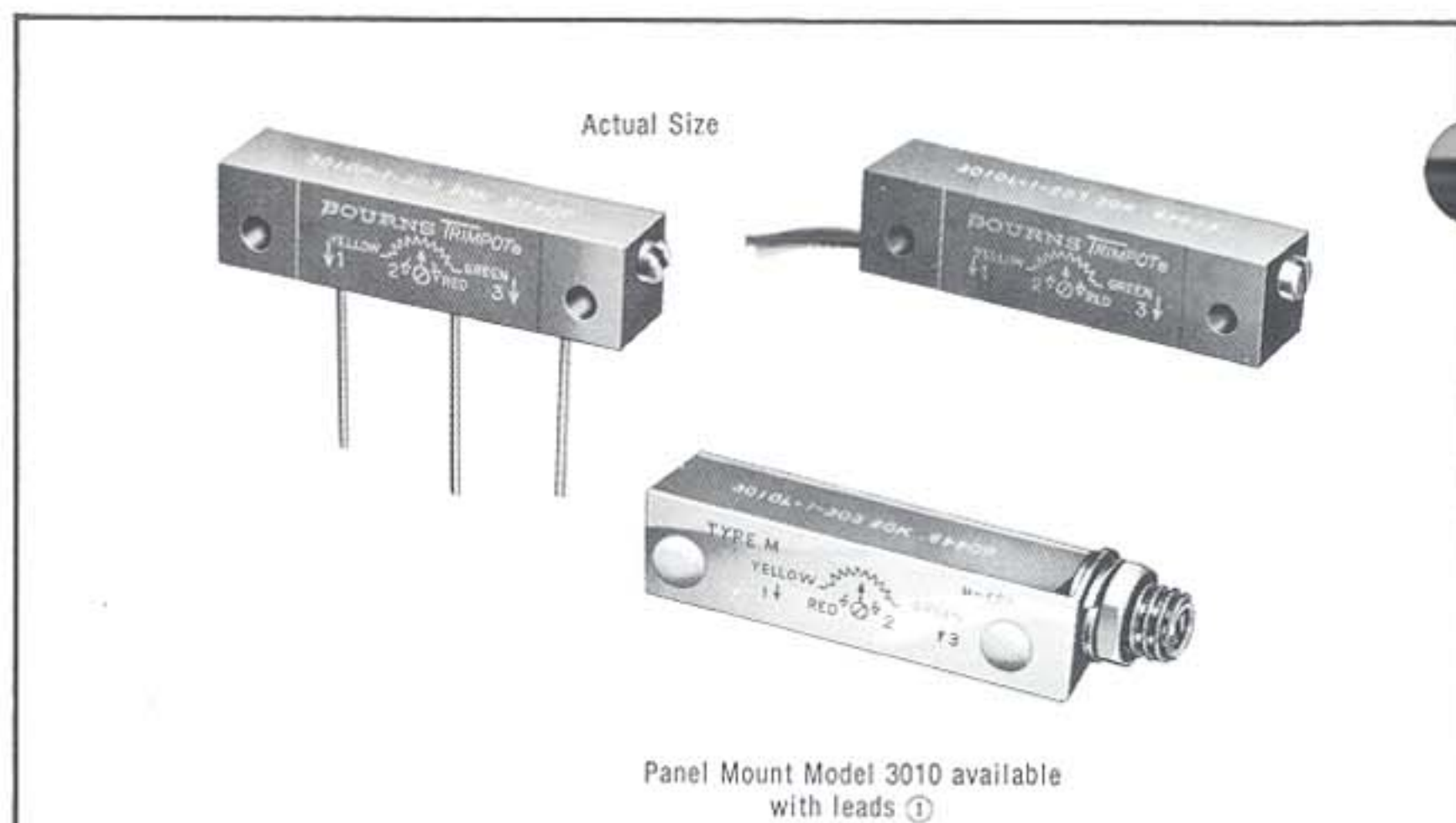
Standard Resistance Range (See chart on front) 10 to 100K ohms
 Resistance Tolerance ±5% Standard, closer tolerances available
 Absolute Minimum Resistance
 10Ω to 1 K 0.2% or 1.0Ω, whichever is greater
 2K to 50K 0.1%
 100K 5.0%
 Continuity Maintained for full mechanical range
 Noise During Adjustment 100Ω ENR maximum
 Insulation Resistance, 500 VDC 1000 Megohms minimum
 Resolution (See chart on front) 0.18 to 1.84%

ENVIRONMENTAL CHARACTERISTICS

Power Ratings:
 70°C Ambient 1.0 watt
 125°C Ambient 0.5 watt
 175°C Ambient 0 watt
 Operating Temperature Range -65° to +175°C
 Temperature Coefficient (per MIL-R-27208) 50 PPM/°C maximum
 Moisture Resistance:
 MIL-R-27208 100 Megohms minimum insulation resistance after removal from chamber
 Vibration MIL-R-27208, 30G
 Contact Bounce 0.1 Millisecond maximum
 Wiper Shift, Maximum 0.5% or resolution
 Shock MIL-R-27208, 100G
 Contact Bounce and Wiper Shift Same as vibration
 Salt Spray Meets MIL-R-27208
 Load Life 1000 hours per MIL-R-27208
 Resistance Shift, Maximum 2%
 Mechanical Life 200 cycles without discontinuity
 Dielectric Strength MIL-R-27208
 Room Conditions 1500 VAC
 80,000 Feet (0.8" Hg) 500 VAC

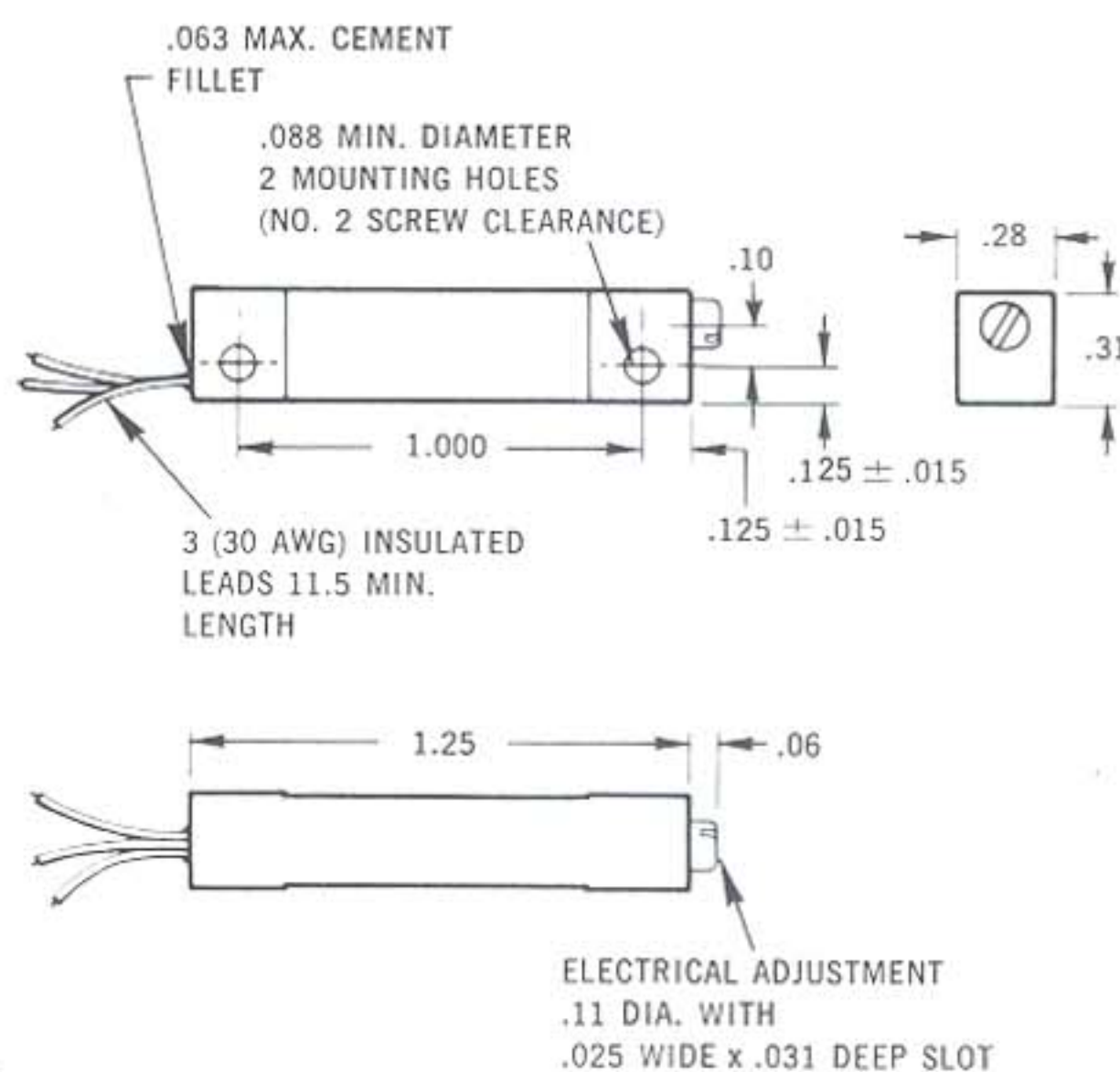
PHYSICAL CHARACTERISTICS

Leak Test No leaks
 Shaft Torque 5.0 oz.-in. maximum
 Markings Manufacturer's name, wiring diagram, date code, and manufacturer's part number (customer's part number optional)
 Appearance Legible markings, no physical defects
 Mechanical Adjustment 22 ±5 turns
 Mechanical Stops Wiper assembly idles
 Weight Approximately 0.1 oz.
 Terminals:
 L Teflon insulated stranded leads, 30 AWG (0.024 O.D.) 7 strands/38 AWG
 P Gold plated grade A nickel printed circuit pins
 Specification Note: Closer performance tolerances can be supplied upon request.
 Specifications subject to change without notice.

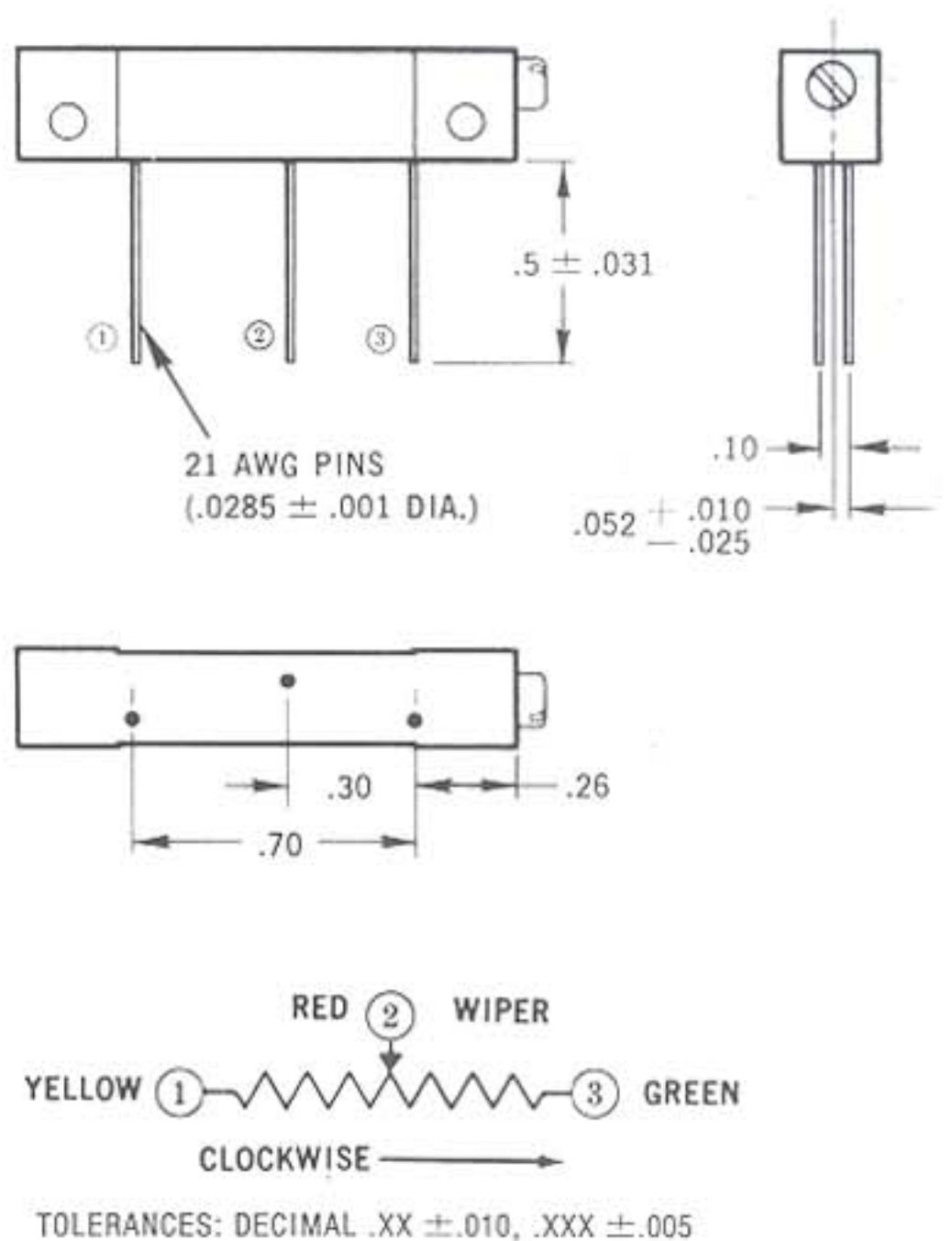


Panel Mount Model 3010 available with leads ①

3010L



3010P



METRIC CONVERSION	
INCH	MM
.001	.025
.010	.254
.015	.381
.025	.635
.031	.787
.052	1.321
.060	1.524
.063	1.600
.088	2.235
.100	2.540
.110	2.794
.125	3.175
.260	6.604
.280	7.112
.300	7.620
.310	7.874
.500	12.700
.700	17.780
1.000	25.400
1.250	31.750
11.500	292.100

OBSOLETE

BOURNS
 TRIMPOT PRODUCTS DIVISION
 1200 COLUMBIA AVENUE
 RIVERSIDE, CALIFORNIA 92507
 PHONE 714 781-5050