



Model 3067 Commercial – Wirewound Potentiometer 1" Long

OBSOLETE 12/83

FEATURES

- Low cost.
- Subminiature size and space-saving configuration.
- Wirewound resistance element.
- Stable wiper setting due to self-locking adjustment screw.
- 15-turn screwdriver adjustment.
- Wiper assembly idles at both ends of travel preventing damage from forced adjustments.

Actual Size



3067 P



3067 S

STANDARD RESISTANCES

Resistance (Ohms)	Part Numbers*		Nominal Resolution (percent)
	3067S Solder Lugs	3067P Printed Circuit Pins	
50	3067S-1-500	3067P-1-500	1.39
100	3067S-1-101	3067P-1-101	1.12
200	3067S-1-201	3067P-1-201	1.23
500	3067S-1-501	3067P-1-501	0.92
1,000	3067S-1-102	3067P-1-102	0.74

SPECIAL RESISTANCES AVAILABLE FROM 50 TO 20,000 OHMS

Resistance (Ohms)	Part Numbers*		Nominal Resolution (percent)
	3067S Solder Lugs	3067P Printed Circuit Pins	
2,000	3067S-1-202	3067P-1-202	0.59
5,000	3067S-1-502	3067P-1-502	0.47
10,000	3067S-1-103	3067P-1-103	0.39
20,000	3067S-1-203	3067P-1-203	0.32

*The last three digits of the part number represent the resistance in standard code.

Model 3067 E-Z-TRIM® Potentiometer

OBSOLETE 12/83

SPECIFICATIONS

ELECTRICAL CHARACTERISTICS

Standard Resistance Range	50 to 20,000 ohms
Resistance Tolerance*	±10%
Absolute Minimum Resistance*	0 to 2.0%
Resolution (See chart on front)	0.32 to 1.39%

ENVIRONMENTAL CHARACTERISTICS

Power Rating	0.5 watt at +25°C
Operating Temperature Range	-55° to 85°C
Dielectric Strength Room Conditions	500 volts AC

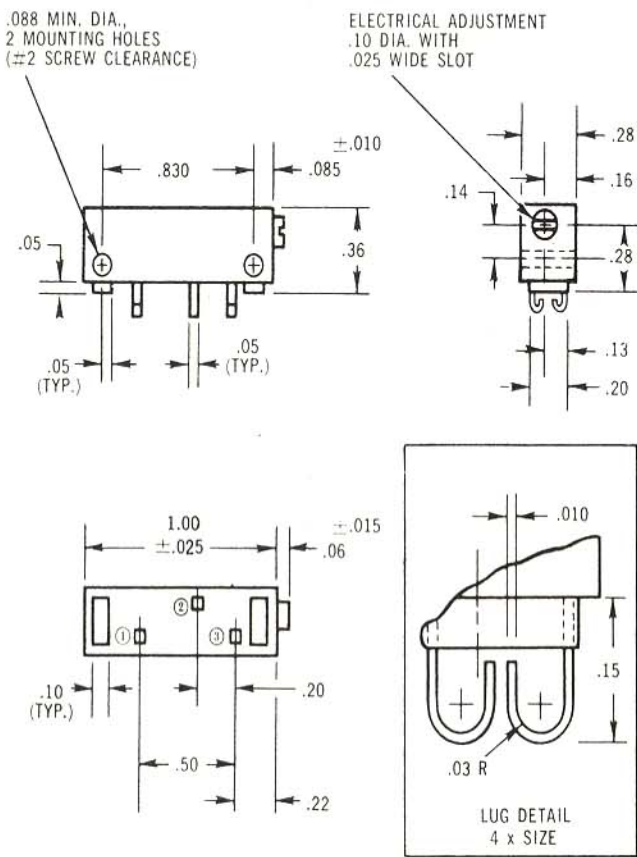
PHYSICAL CHARACTERISTICS

Markings*	Manufacturer's name, wiring diagram, date code, resistance and manufacturer's part number
Appearance*	Legible markings, no physical defects
Mechanical Adjustment	15 turns nominal
Mechanical Stops*	Wiper assembly idles
Weight	Approximately .1 oz.
Terminals	
S	Solder lugs
P	Printed circuit pins

Specifications are subject to change without notice.

*Inspection Note: Applicable 100% or statistical sampling inspection performed to insure highest quality.

3067S



3067P

