



**TRIMPOT® Potentiometer**  
**Model 3300**  
**Humidity-Proof, Single Turn**  
**Wirewound Element**

**OBSOLETE**

**FEATURES**

- Smaller than transistor case —  $\frac{5}{16}$ " diameter x  $\frac{3}{16}$ ".
- High temperature operation (175°C).
- Outstanding mil spec humidity performances. Meets MIL-R-27208.
- Precious metal contacts eliminate noise.
- Excellent shock, vibration stability.
- SILVERWELD® termination alloys with multiple resistance wires eliminating vulnerable single wire termination.
- Stops provided at each end of travel.
- Lightweight, all-plastic case.

Actual Size



3300 S



3300 P



3300 W

**STANDARD RESISTANCES**

Resistance (ohms)	Part Numbers*			Nominal Resolution (Percent)
	3300S Solder Lugs	3300P Printed Circuit Pins	3300W Printed Circuit Pins (Side Adjust)	
10	3300S-1-100	3300P-1-100	3300W-1-100	1.51
20	3300S-1-200	3300P-1-200	3300W-1-200	1.18
50	3300S-1-500	3300P-1-500	3300W-1-500	0.89
100	3300S-1-101	3300P-1-101	3300W-1-101	0.70
200	3300S-1-201	3300P-1-201	3300W-1-201	0.78
500	3300S-1-501	3300P-1-501	3300W-1-501	0.65

SPECIAL RESISTANCES AVAILABLE FROM 10 TO 25,000 OHMS

Resistance (ohms)	Part Numbers*			Nominal Resolution (Percent)
	3300S Solder Lugs	3300P Printed Circuit Pins	3300W Printed Circuit Pins (Side Adjust)	
1,000	3300S-1-102	3300P-1-102	3300W-1-102	0.54
2,000	3300S-1-202	3300P-1-202	3300W-1-202	0.45
5,000	3300S-1-502	3300P-1-502	3300W-1-502	0.36
10,000	3300S-1-103	3300P-1-103	3300W-1-103	0.30
20,000	3300S-1-203	3300P-1-203	3300W-1-203	0.25
25,000	3300S-1-253	3300P-1-253	3300W-1-253	0.23

\*The last three digits of the part number represent the resistance in standard code.

# Model 3300 TRIMPOT® Potentiometer

## SPECIFICATIONS

### ELECTRICAL CHARACTERISTICS

Standard Resistance Range .....	10 to 25,000 ohms
Resistance Tolerance* .....	±5% standard
Absolute Minimum Resistance* .....	0.5Ω or 1.0%, whichever is greater
Continuity* .....	Maintained for full mechanical range
Noise During Adjustment* .....	100 ohms ENR maximum
Insulation Resistance, 500 volts DC* .....	1,000 megohms minimum
Resolution (See chart on front)* .....	0.23 to 1.51%
Effective Electrical Rotation .....	280 degrees nominal

### ENVIRONMENTAL CHARACTERISTICS

Power Ratings:

70°C Ambient .....	0.50 watt
110°C Ambient .....	0.25 watt
175°C Ambient .....	0 watt

Operating Temperature Range .....

.....	-65° to +175°C
-------	----------------

Temperature Coefficient (per MIL-R-27208) .....

.....	50 ppm/°C maximum
-------	-------------------

Moisture Resistance:

MIL-R-27208 .....	100 megohms minimum insulation resistance after removal from chamber
-------------------	--

Vibration .....

.....	MIL-R-27208, 30Gs
Contact Bounce .....	0.1 millisecond maximum
Wiper Shift, Maximum .....	1.0% or resolution

Shock .....

.....	MIL-R-27208, 100Gs
Contact Bounce and Wiper Shift .....	Same as vibration

Sand and Dust .....	Meets MIL-E-5272, Procedure 1
Salt Spray .....	Meets MIL-R-27208
Fungus .....	Materials meet MIL-E-5272
Load Life .....	1,000 hours per MIL-R-27208
Resistance Shift, Maximum .....	2.0%
Mechanical Life .....	200 cycles without discontinuity
Dielectric Strength .....	MIL-R-27208
Room Conditions .....	1,000 volts AC
80,000 Feet (0.8" Hg) .....	400 volts AC

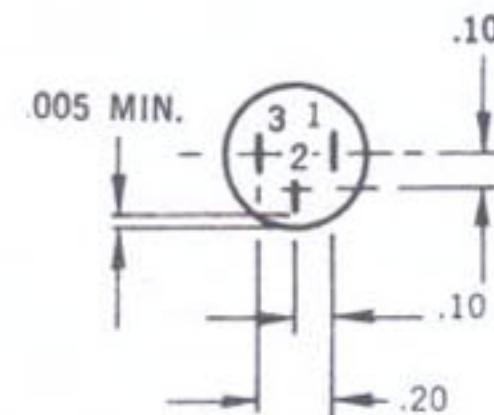
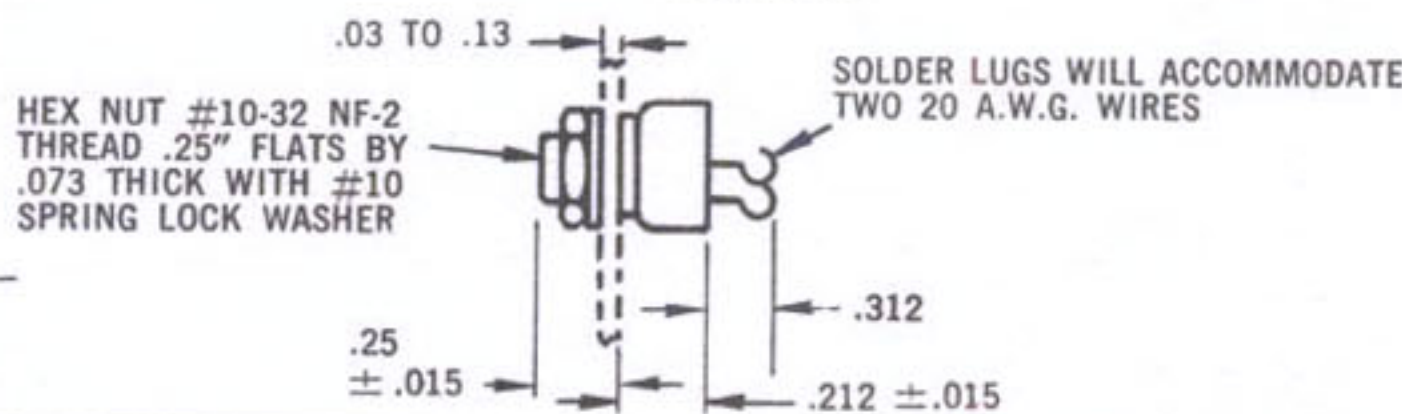
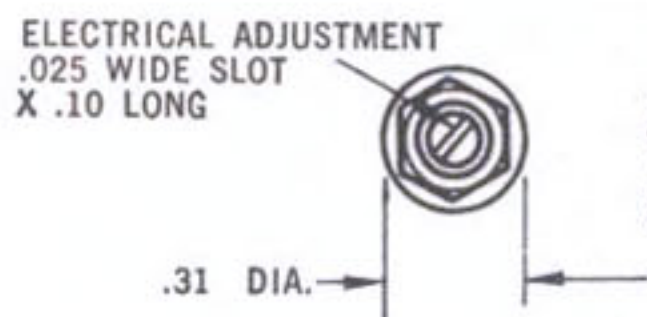
### PHYSICAL CHARACTERISTICS

Immersion Leak Test* .....	No leaks
Shaft Torque* .....	5.0 oz.-in. maximum
Markings* .....	Manufacturer's name, resistance, date code, and manufacturer's part number
Appearance* .....	Legible markings, no physical defects
Mechanical Rotation .....	300 degrees nominal
Mechanical Stops .....	Solid
Stop Strength .....	6.0 oz.-in.
Weight .....	Approximately .02 oz.
Terminals:	
S .....	Gold plated solder lugs
P, W .....	Gold plated grade A nickel printed circuit pins

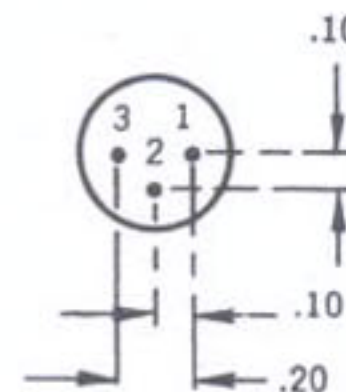
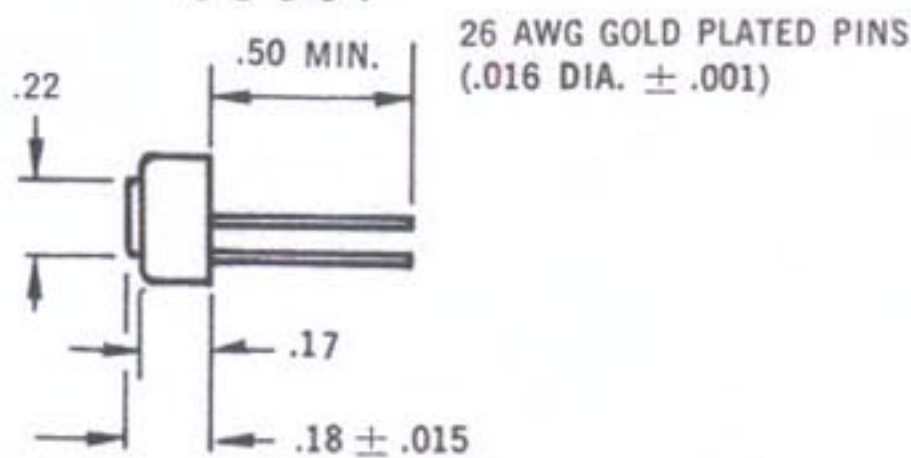
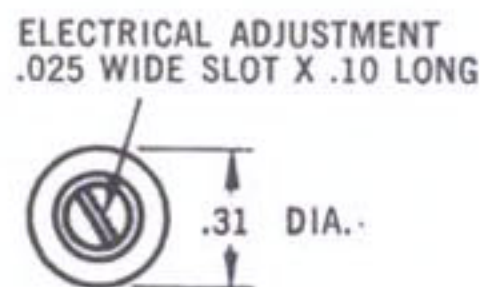
\*Inspection Note: Applicable 100% or statistical sampling inspection performed to insure highest quality.

Specifications are subject to change without notice.

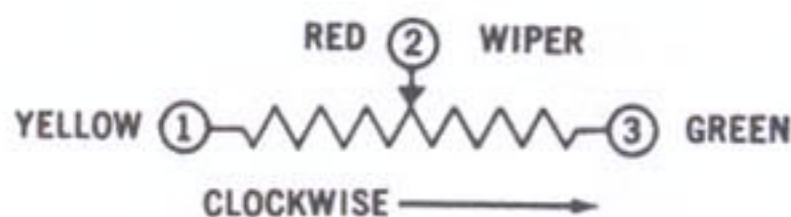
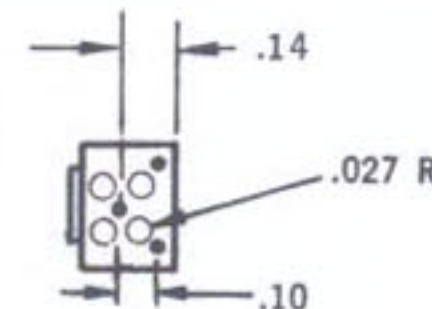
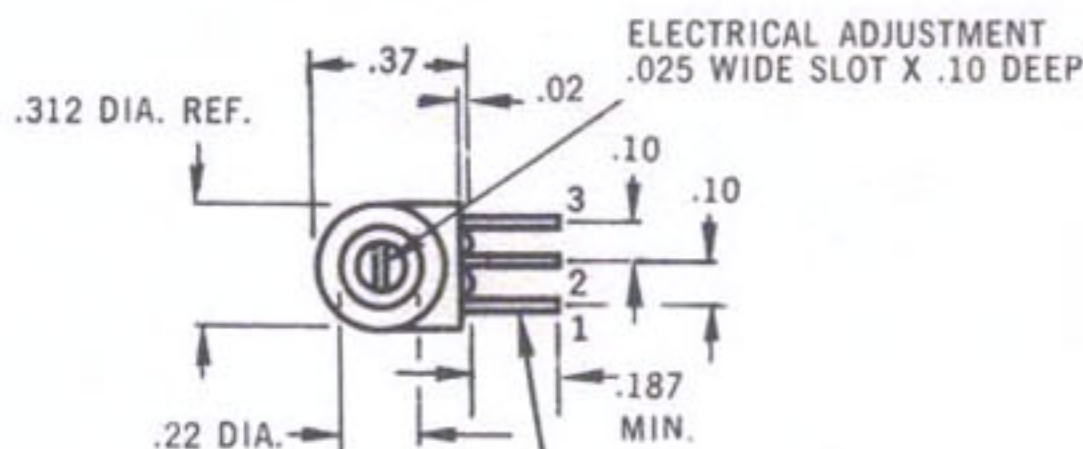
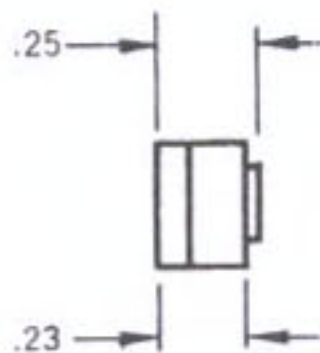
### 3300S



### 3300P



### 3300W



26 AWG (.016 ± .001 DIA.) GOLD PLATED GRADE A NICKEL

TOLERANCE: EXCEPT WHERE NOTED  
DECIMALS: .XX ± .010  
.XXX ± .005

**OBSOLETE**

