



MODEL 3325

Surface Mounted Sealed 1/4" Diameter Single-turn, Cermet Trimming Potentiometer



FEATURES

- First surface mounted sealed trimmer.
- High temperature construction suitable for reflowed solder application.
- Sealed to withstand harsh environment and immersion cleaning processes.
- PC Board Saving Size: 0.25 dia. x 0.22" high.
- Vertical and horizontal adjust types available.

SPECIFICATIONS*

Electrical Characteristics

Standard Resistance Range
 10 ohms to 1 megohm
 (see standard part number table)
 Resistance Tolerance 10% standard
 (closer tolerance available)
 Absolute Minimum Resistance
 2 ohms maximum
 Contact Resistance Variation
 3.0% or 3 ohms
 (whichever is greater)
 Adjustability
 Voltage ±0.05%
 Resistance ±0.15%
 Resolution Infinite
 Insulation Resistance 500 vdc,
 1000 megohms minimum
 Dielectric Strength
 Sea Level 600 vac
 80,000 feet 250 vac
 Adjustment Angle 240° nominal

Environmental Characteristics
 Maximum Exposure (Temp./Time)
 +215°C/3 minutes
 Power Rating (300 volts maximum)
 85°C 0.5 watt

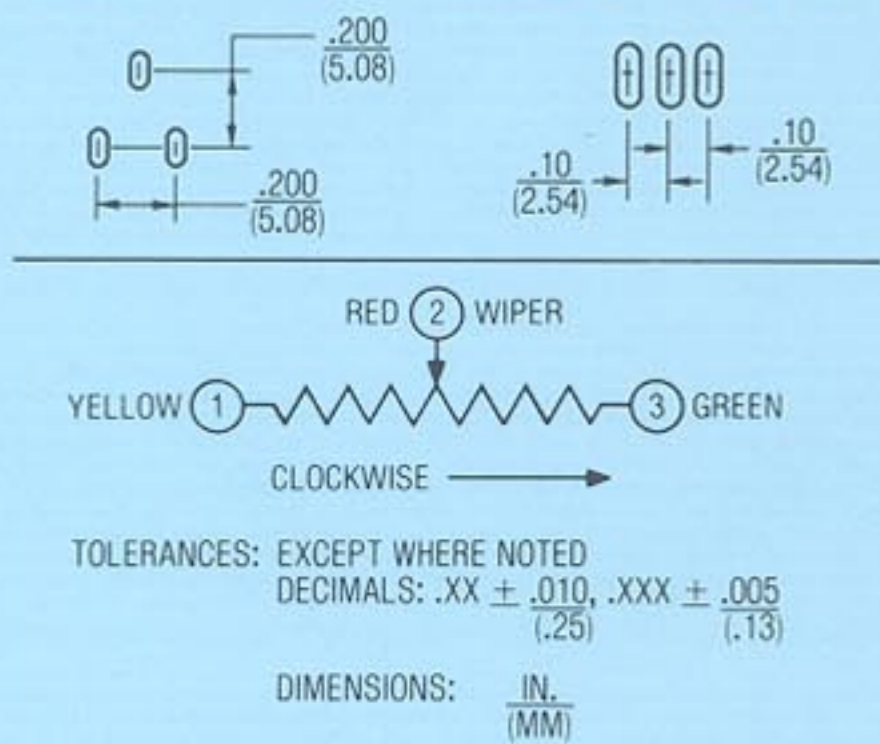
150°C 0 watt
 Temperature Range
 -55°C to +150°C
 Temperature Coefficient
 ±100 ppm/°C maximum
 Humidity
 MIL-STD-202 Method 103
 (96 hours) IR 10 megohms minimum
 Seal Test 85°C Fluorinert**
 Vibration 30G
 Shock 100G
 Load Life
 1000 hours 0.5 watt @ 85°C
 Mechanical Life 200 cycles

Physical Characteristics

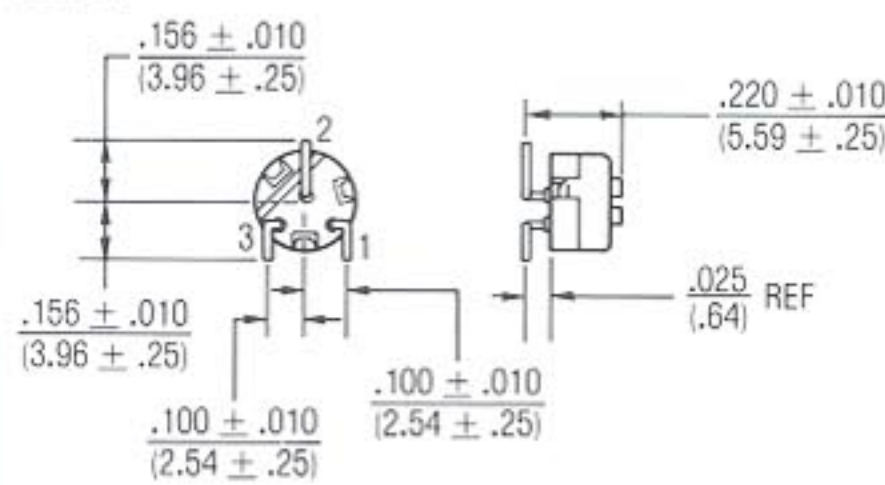
Mechanical Angle 260° nominal
 Torque 3.0 oz-in. maximum
 Stop Strength 5.0 oz-in. minimum
 Terminals Tinned pins
 Weight 0.02 oz
 Marking
 Manufacturer's Trademark
 Resistance value or code
 Date code
 Manufacturer's model number
 and style

RECOMMENDED PCB LAYOUT - "P" & "S"

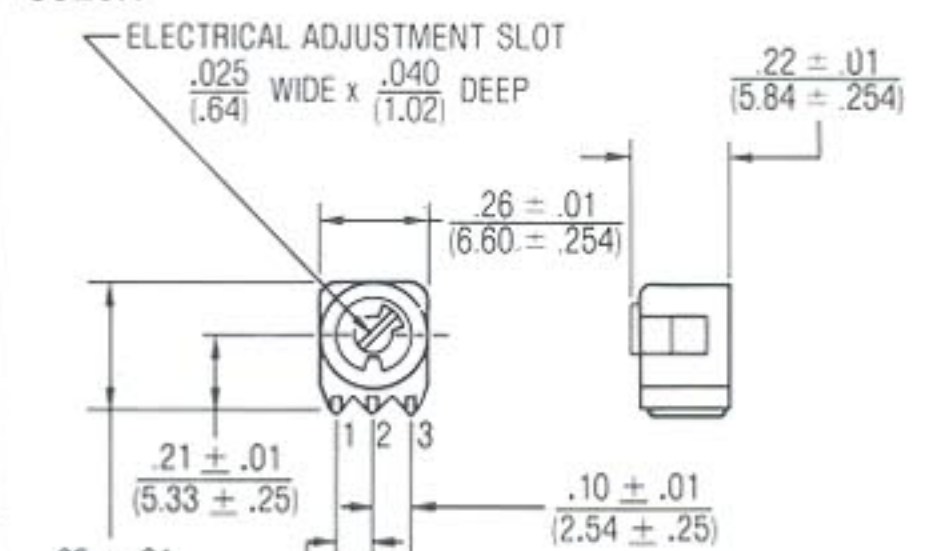
RECOMMENDED PCB LAYOUT - "W" & "X"



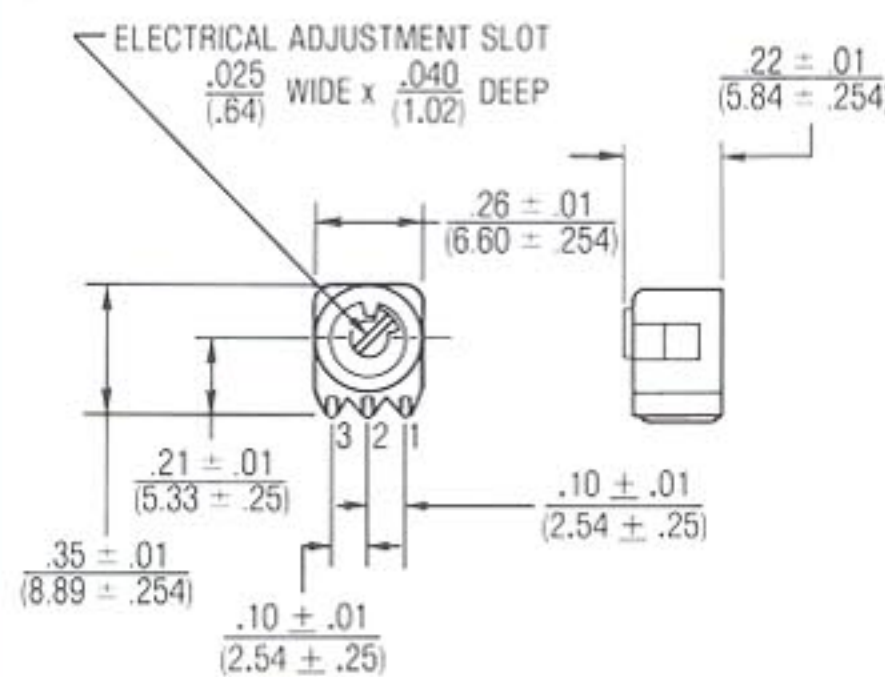
3325P



3325X



3325W



OBSOLETE

STANDARD PART NUMBER TABLE

Resistance (Ohms)	3325P	3325W	3325X
10	3325P-1-100	3325W-1-100	3325X-1-100
20	3325P-1-200	3325W-1-200	3325X-1-200
50	3325P-1-500	3325W-1-500	3325X-1-500
100	3325P-1-101	3325W-1-101	3325X-1-101
200	3325P-1-201	3325W-1-201	3325X-1-201
500	3325P-1-501	3325W-1-501	3325X-1-501
1,000	3325P-1-102	3325W-1-102	3325X-1-102
2,000	3325P-1-202	3325W-1-202	3325X-1-202
5,000	3325P-1-502	3325W-1-502	3325X-1-502
10,000	3325P-1-103	3325W-1-103	3325X-1-103
20,000	3325P-1-203	3325W-1-203	3325X-1-203
25,000	3325P-1-253	3325W-1-253	3325X-1-253
50,000	3325P-1-503	3325W-1-503	3325X-1-503
100,000	3325P-1-104	3325W-1-104	3325X-1-104
200,000	3325P-1-204	3325W-1-204	3325X-1-204
250,000	3325P-1-254	3325W-1-254	3325X-1-254
500,000	3325P-1-504	3325W-1-504	3325X-1-504
1,000,000	3325P-1-105	3325W-1-105	3325X-1-105

Special resistances available from 10 ohms to 1 megohms.

*Specifications subject to change without notice

**"Fluorinert" is a registered trademark of 3M Co.

BOURNS TRIMPOT
 1200 Columbia Avenue
 Riverside, CA 92507

For quotations or to place an order,
 call (714) 781-5050

TWX 910 332 1252 CBL BOURNSINC