

EMBOSSED  
TAPE PACKAGING



**BOURNS**

**Model 3335**  
Trimming Potentiometer

# SMD 5MM SQUARE / SINGLE-TURN CERMET / INDUSTRIAL / SEALED

- Available in 3 and 4 pad SMD design or thru-hole
- Auto adjust rotor design, packaged in 12mm embossed tape, compatible with automatic placement equipment
- Superior lead frame construction
- Recommended for reflow solder processing

OBSOLETE

### Electrical Characteristics

**Standard Resistance Range**  
..... 10 to 500,000 ohms  
(see standard resistance table)

**Resistance Tolerance** . . . ± 10% std.  
(closer tolerance available)

**Absolute Minimum Resistance**  
..... 1% or 2 ohms max.  
(whichever is greater)

**Contact Resistance Variation**  
..... 3.0% or 3 ohms  
(whichever is greater)

**Adjustability**  
Voltage . . . . . ± 0.05%  
Resistance . . . . . ± 0.15%  
Resolution . . . . . Infinite  
Insulation Resistance . . . . . 500 vdc.  
1,000 megohms min.

**Dielectric Strength**  
Sea Level . . . . . 600 vac  
80,000 feet . . . . . 250 vac  
Adjustment Travel . . . . . 240° nom.

**Environmental Characteristics**  
Maximum Exposure (Temp/Time)  
..... +215°C/3 min.

**Power Rating (100 Volts Max.)**  
85°C . . . . . 0.2 watt  
150°C . . . . . 0 watt

**Temperature Range**  
..... -55°C to +150°C

**Temperature Coefficient**  
..... ± 100ppm/°C max.

**Seal Test** . . . . . 85°C Fluorinert\*

**Humidity** . . . . . MIL-STD-202  
Method 103 (96 hours)  
(3% ΔTR, 10 megohms min.)

**Vibration** . . . 30G (1% ΔTR, 1% ΔVR)

**Shock** . . . . 100G (1% ΔTR, 1% ΔVR)

**Load Life**  
..... 1,000 hours 0.2 watt @ 85°C  
(3% ΔTR, 3% CRV)

**Mechanical Life** . . . . . 200 cycles  
(4% ΔTR, 3% CRV)

### Physical Characteristics

**Mechanical Angle** . . . . . 270° nom.

**Torque** . . . . . 3.0 oz-in. max.

**Stop Strength** . . . . . 4.0 oz-in. min.

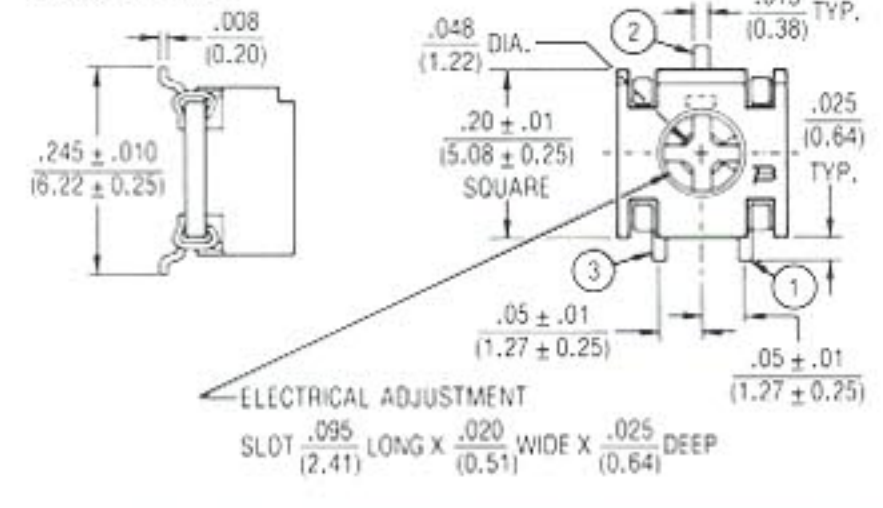
**Terminals** . . . . . Solderable pins

**Weight** . . . . . 0.02 oz.

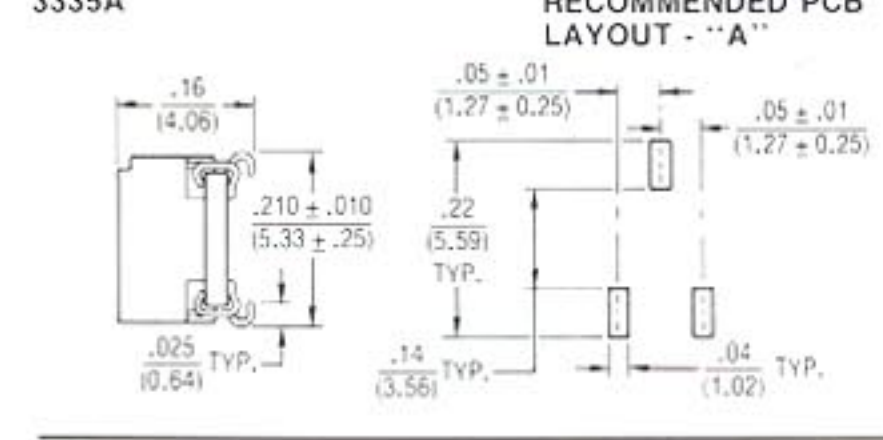
**Marking** . . . . . Manufacturer's trademark, resistance code, (model number, style, resistance code and date code on packaging)

**Packaging** . . . . . 500 pieces/7" reel

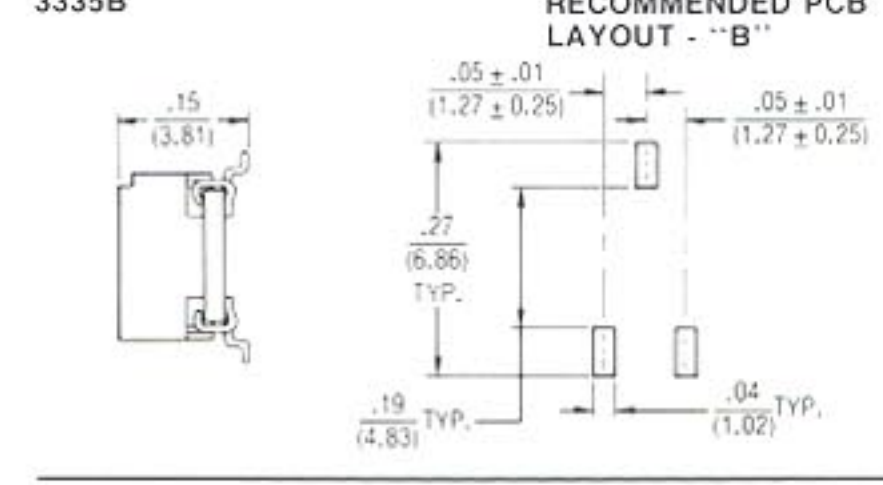
3335 - 3 PAD



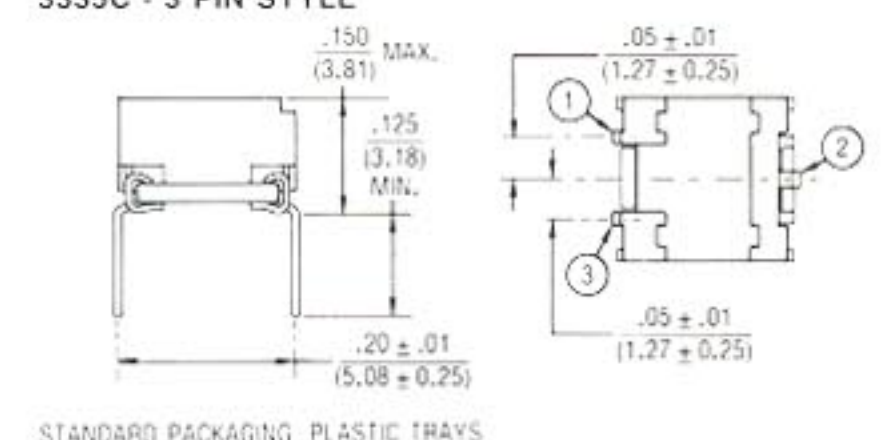
3335A



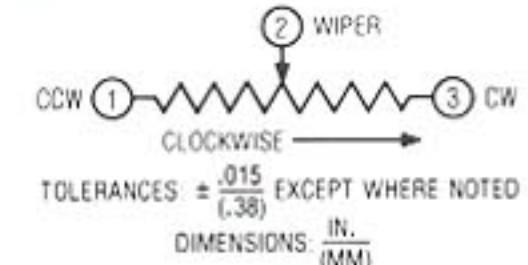
3335B



3335C - 3 PIN STYLE



STANDARD PACKAGING PLASTIC TRAYS



### HOW TO ORDER

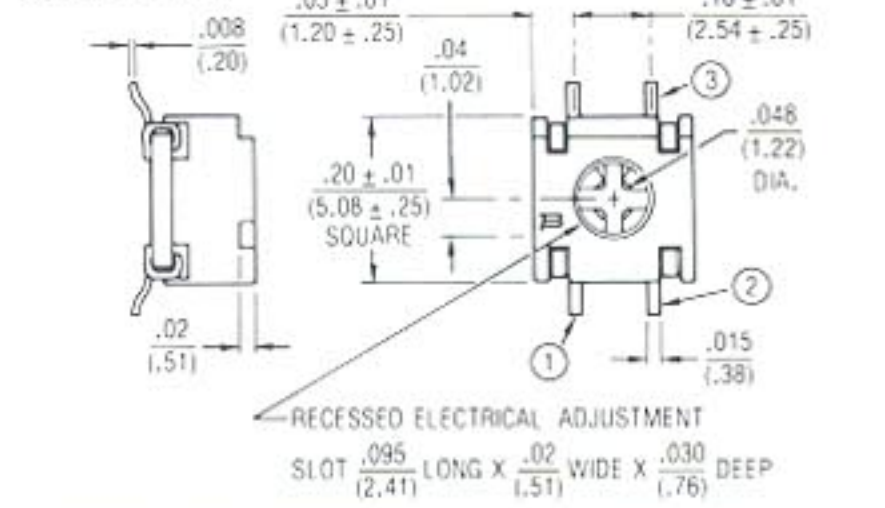
**3335 W - 1 - 103 E**

Model \_\_\_\_\_  
Style \_\_\_\_\_  
Standard Product \_\_\_\_\_  
Resistance Code \_\_\_\_\_

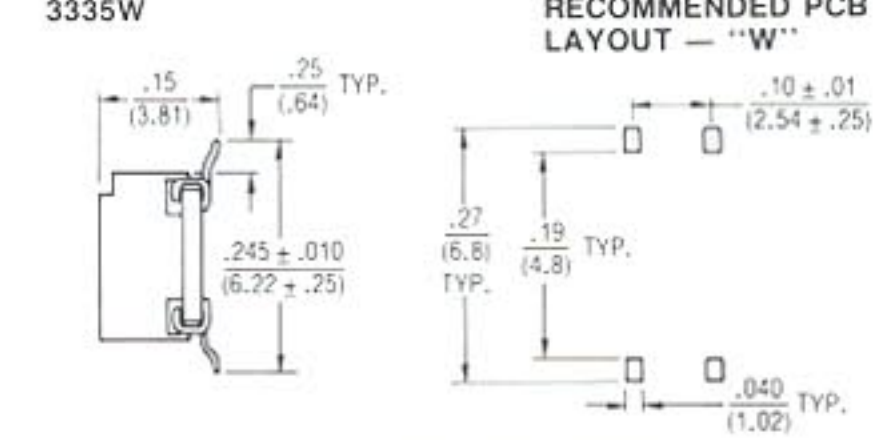
- First 2 significant digits of value
- Third digit represents number of zeros

Embossed Tape Designator \_\_\_\_\_  
(\* "C" model available only in plastic trays)

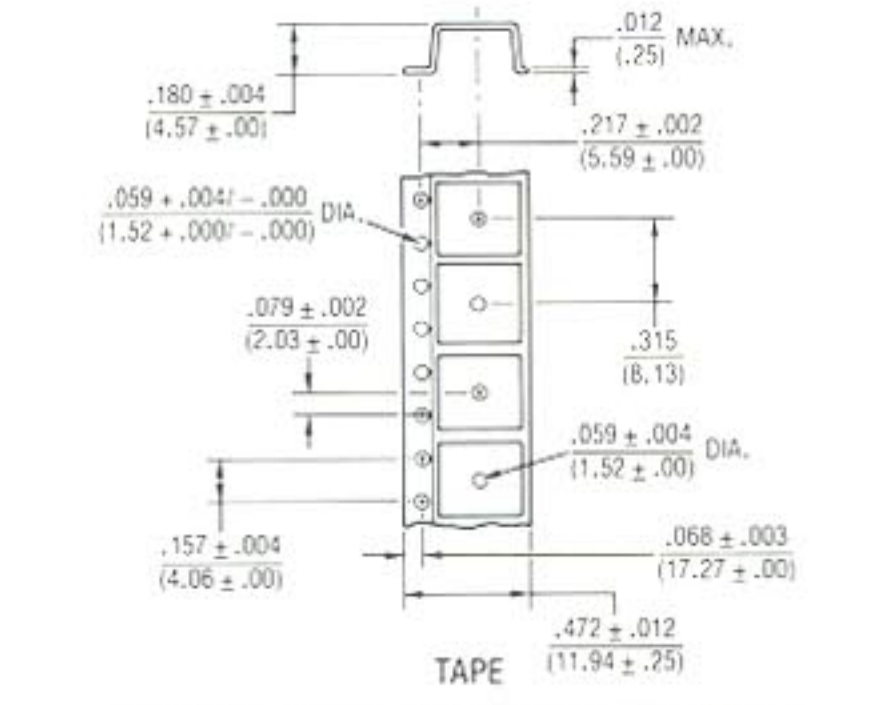
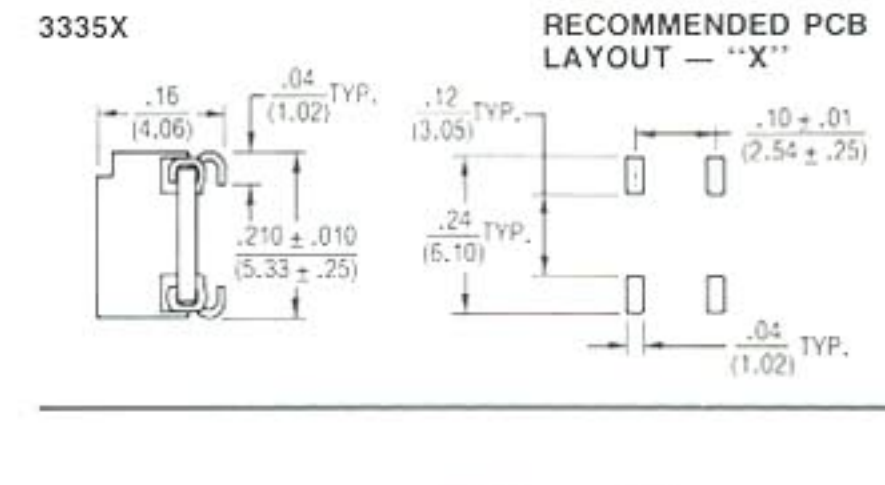
3335 - 4 PAD



3335W



3335X



Reel dimensions same as 3304, see page 4.

### STANDARD RESISTANCE TABLE

Resistance		Resistance	
(Ohms)	Code	(Ohms)	Code
10	100	10,000	103
20	200	20,000	203
50	500	25,000	253
100	101	50,000	503
200	201	100,000	104
500	501	200,000	204
1,000	102	250,000	254
2,000	202	500,000	504
5,000	502		

Special resistances available from 10 to 500,000 ohms.

Specifications are subject to change without notice.  
\*\*Fluorinert is a registered trademark of 3M Company.