

# SURFACE MOUNT 3MM SQUARE / SINGLE-TURN CERMET / OPEN FRAME

- Recommended for reflow and wave soldering processing
- Rotor design compatible with pick and place and automatic adjustment equipment
- Supplied in 8mm embossed tape, compatible with automatic assembly equipment
- 3mm size meets EIA/EIAJ standard trimmer footprint

**BOURNS®**

## Model 3363 B® Trimming Potentiometer

**OBSOLETE**

### Electrical Characteristics

Standard Resistance Range  
..... 100 to 1 megohm  
(see standard resistance table)  
Resistance Tolerance ..... ±25% std.  
Absolute Minimum Resistance  
..... 2% or 20 ohms  
(whichever is greater)  
Contact Resistance Variation  
..... 5% max.  
Resolution ..... Infinite  
Adjustment Angle ..... 220° ±20°

### Environmental Characteristics

Resistance to Soldering Heat  
.... 260°C, 10 seconds, TRS max. 5%  
Power Rating (50 VDC max.)  
70°C ..... 0.1 watt  
Temperature Range  
..... -55°C to +125°C  
Temperature Coefficient  
..... ±250ppm/°C  
Humidity ..... 95%RH  
1,000 hours  
TRS max. .... ±5%  
Load Life  
..... @ 70°C rated power 1,000 hours  
TRS ±5%  
Rotational Cycling ..... 20 turns  
TRS ±15%

### Physical Characteristics

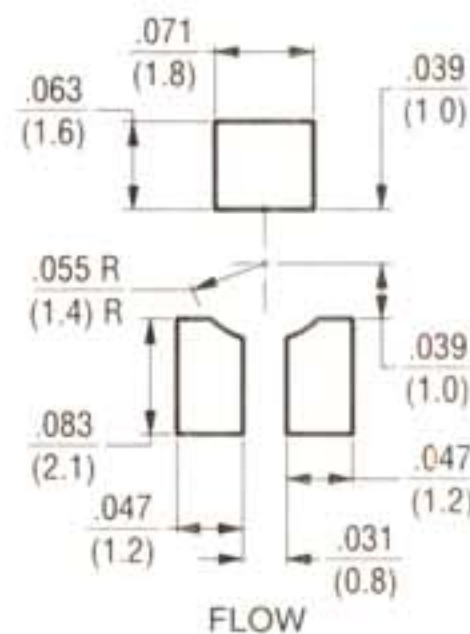
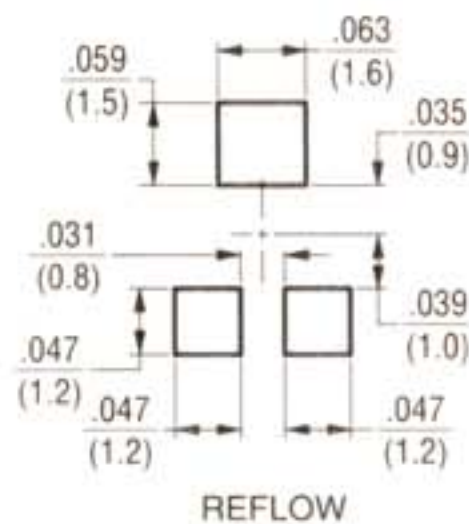
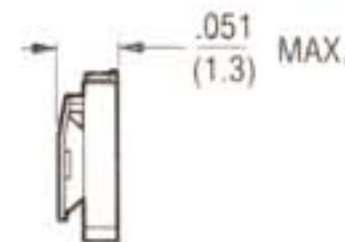
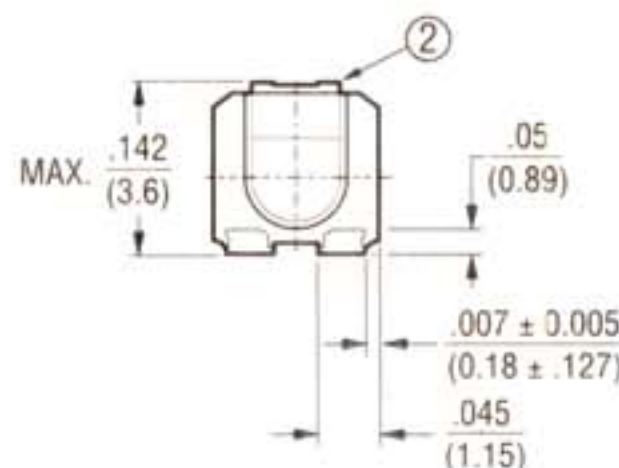
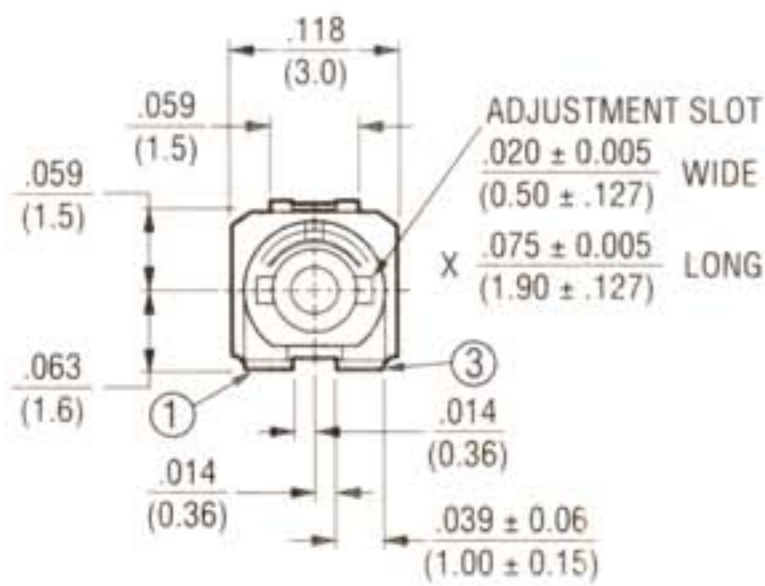
Torque ..... 20-200g-cm max.  
Mechanical Angle ..... Continuous  
Marking ..... Part marking code  
Standard Packaging  
..... 2000 pcs./7" reel

### STANDARD RESISTANCE TABLE

Resistance (Ohms)	Part Marking Code	Resistance Code
100	A2	101
200	22	201
500	52	501
<b>1,000</b>	<b>A3</b>	<b>102</b>
<b>2,000</b>	<b>23</b>	<b>202</b>
<b>5,000</b>	<b>53</b>	<b>502</b>
<b>10,000</b>	<b>A4</b>	<b>103</b>
<b>20,000</b>	<b>24</b>	<b>203</b>
50,000	54	503
100,000	A5	104
200,000	25	204
500,000	55	504
1,000,000	A6	105

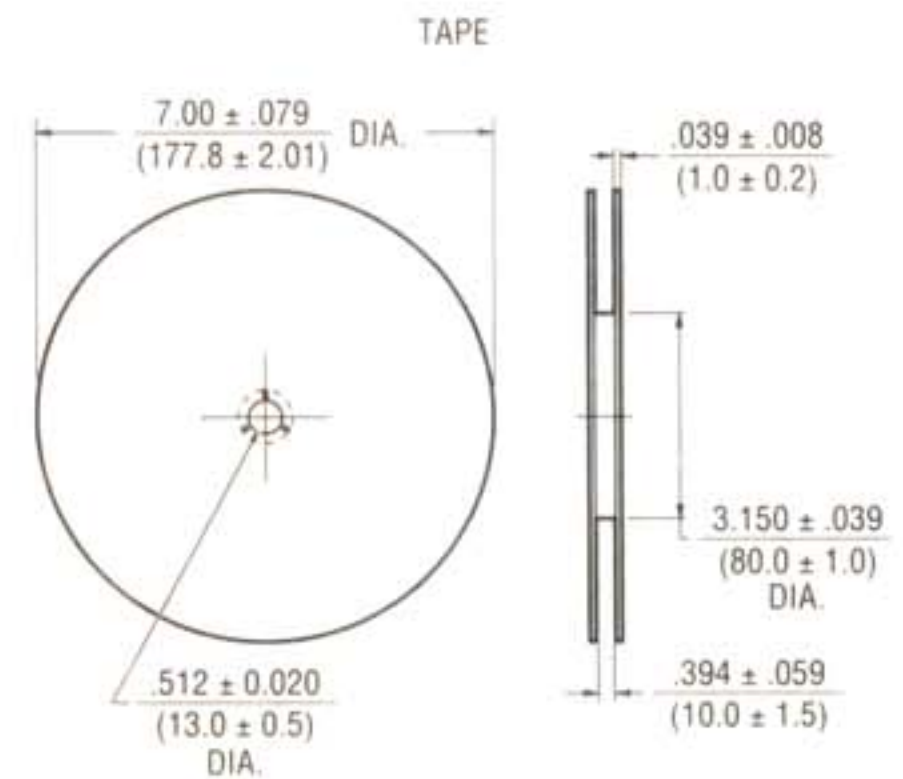
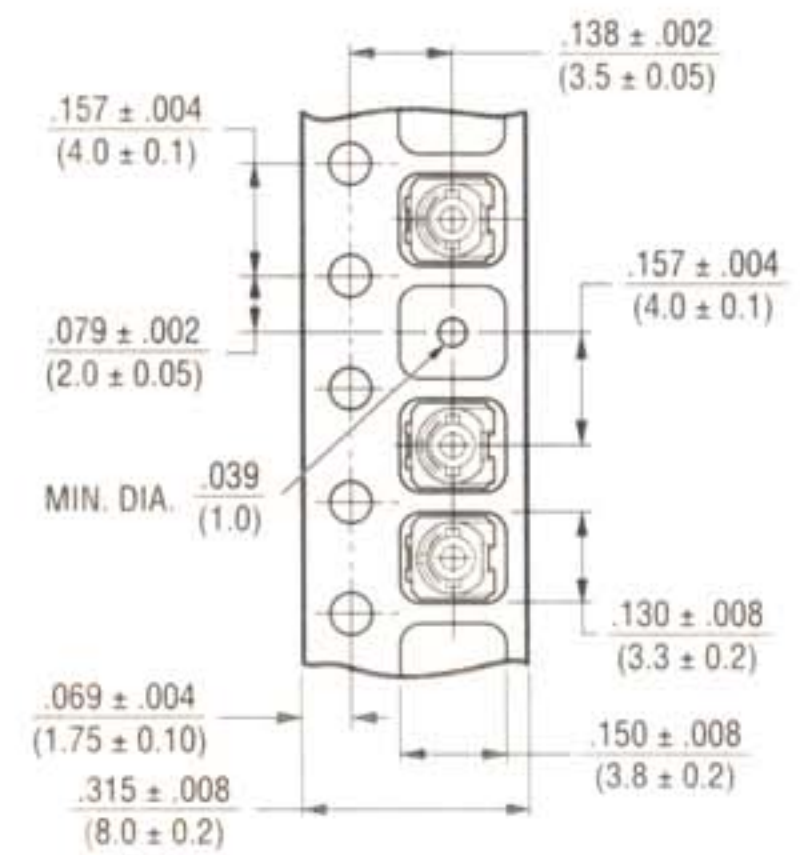
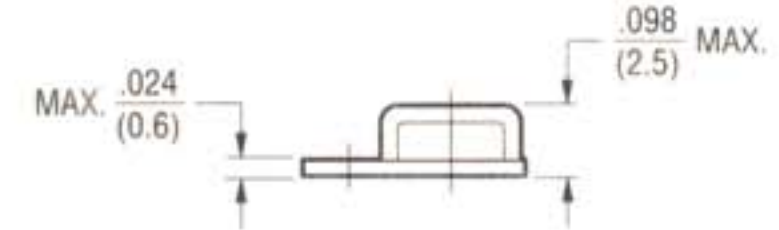
E9 resistance code available as standard. Popular values listed in boldface. Special resistances available.

3363



All dimensional tolerances are:  
± 0.010 in., ± (0.25mm),  
unless otherwise noted.

### PACKAGING SPECIFICATIONS



Meets EIA 481

### HOW TO ORDER

**3363 X - 1 - 103 E**

Model \_\_\_\_\_  
Style \_\_\_\_\_  
Standard or Modified \_\_\_\_\_  
Product Indicator  
-1 = Standard Product  
Resistance Code \_\_\_\_\_  
Embossed Tape Designator \_\_\_\_\_

Consult factory for other available options.

Specifications are subject to change without notice.