

Features

- Low profile 16 pin SMD package
- Meets the CCITT 1.430 waveform template when chip pairs and recommended transformer are used
- 2 KVrms HIPOT
- Weight: 7.2 g
- Longitudinal balance from 10 KHz to 300 KHz: 60 dB min



This series is $\text{Sd M}\overline{\text{R}}\text{U}$ not recommended for new designs.

- RoHS compliant*

PT73031L - SMD - ISDN S Interface Transformer

Electrical Specifications @ 25 °C

Turns Ratio $\pm 2\%$	
A	1:2
B	1:2
OCL PRI (mH min.)	
A & B22
LL SEC (μH max.)	
A	15
B	15
Cww (pF max)	
A & B	100
Pri DCR ($\Omega \pm 15\%$)	
A	2.5
B	2.5
Sec DCR ($\Omega \pm 15\%$)	
A	4.0
B	4.0

Environmental Characteristics

Operating Temperature ($^{\circ}\text{C}$).....	0 to +85
Storage Temperature ($^{\circ}\text{C}$).....	-55 to +125
Flammability	UL94V-0
Solder Method	IR Reflow 230 $^{\circ}\text{C}$ max. 10 seconds

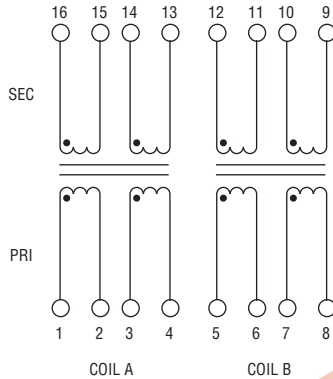
Packaging Specifications

Tray	24 pcs./tube
------------	--------------

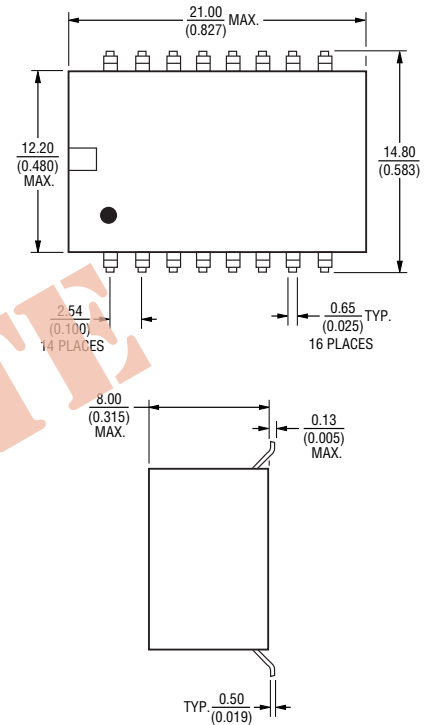
How To Order

Model	PT73031	L
Termination	_____	
L = Tin only (RoHS Compliant)		

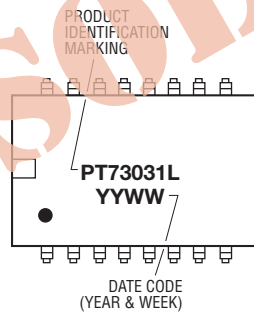
Electrical Schematic



Product Dimensions



Typical Part Marking



DIMENSIONS: $\frac{\text{MM}}{\text{(INCHES)}}$

TOLERANCES: $\pm \frac{0.25}{(0.010)}$