

## Features

- IEEE802.3af/ANSI X3.263
- RoHS compliant\*



This series is 'Sd' M/R,U not recommended for new designs.

## Applications

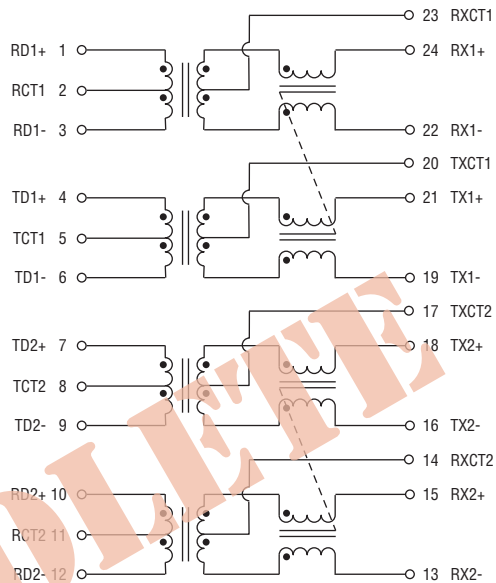
- VoIP
- PoE

# SM51522L 10/100 Base Tx VoIP Modules (Power over Ethernet - PoE)

### Electrical Specifications

Inductance - Open Circuit... 350  $\mu$ H min.  
(100 KHz, 0.1 V with 8 mA DC bias)  
DC Resistance Balance.....  $\leq 3.5\%$   
Turns Ratio (TX/RX)..... 1CT : 1CT  
Insertion Loss  
..... 1-100 MHz, -1.2 dB max.  
Return Loss (@ 100 ohms)  
1-30 MHz..... -16 dB min.  
40 MHz..... -14 dB min.  
50 MHz..... -13 dB min.  
60-80 MHz..... -12 dB min.  
Cross Talk  
60 MHz..... -37 dB min.  
100 MHz..... -31 dB min.  
DCMRR  
30 MHz..... -43 dB min.  
60 MHz..... -37 dB min.  
100 MHz..... -33 dB min.  
PoE Current..... 350 mA DC  
Isolation..... 1500 VAC  
Operating Temperature  
..... -40  $^{\circ}$ C to +85  $^{\circ}$ C

### Electrical Schematic



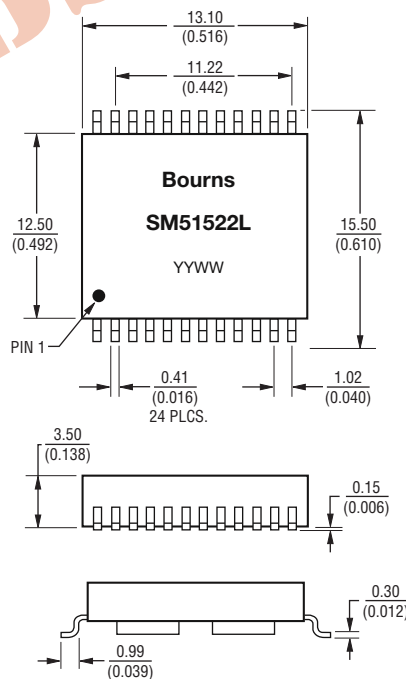
### Packaging Specifications

Tape & Reel..... 700 pcs./reel

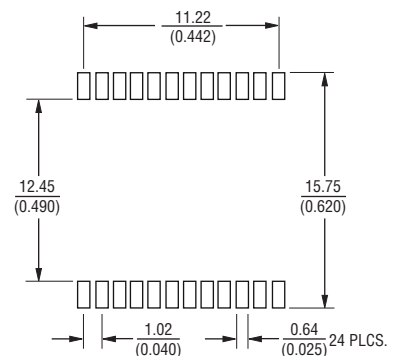
### How To Order

Model SM51522E L  
Termination \_\_\_\_\_  
L = Tin only (RoHS Compliant)

### Product Dimensions



### Recommended Layout



DIMENSIONS:  $\frac{\text{MM}}{\text{(INCHES)}}$

REV. 05/13

\*RoHS Directive 2002/95/EC Jan. 27, 2003 including annex and RoHS Recast 2011/65/EU June 8, 2011.

Specifications are subject to change without notice.

The device characteristics and parameters in this data sheet can and do vary in different applications and actual device performance may vary over time. Users should verify actual device performance in their specific applications.