

# POTENTIOMETER

- Carbon element
- Switch option
- Wide assortment of pin layouts
- Wide range of resistance tapers

## Model PDA12 Series

Bourns® Panel Controls

### Electrical Characteristics

Taper .....A, B, C, D, E, M, N, W  
 Standard Resistance Range  
 .....200 ohms to 2 megohms  
 Standard Nominal Resistance Value  
 .....See standard resistance table  
 Residual Resistance  
 .....100 ohms maximum or  $\pm 5\%$

### Environmental Characteristics

Power Rating  
 Taper B .....0.1 watt  
 Other Tapers .....0.05 watt  
 Maximum Operating Voltage  
 Taper B .....150 V  
 Other Tapers .....100 V  
 Sliding Noise .....47mV maximum

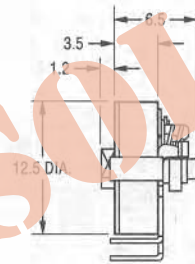
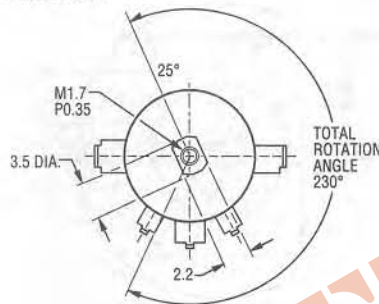
### Physical Characteristics

Mechanical Angle .....230°  
 Rotational Torque.....20 to 200 gcm  
 Stop- End Strength .....3 kgcm minimum  
 Switch Torque .....1 kgcm minimum  
 Switch Action Angle .....60° maximum  
 Rotational Life ....10,000 cycles minimum  
 Soldering Condition .....260°C max.  
 within 3 seconds

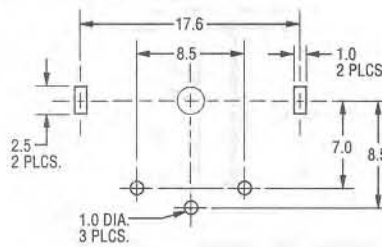
### STANDARD RESISTANCE TABLE

Resistance (Ohms)	Resistance Code
500	501
1,000	102
2,000	202
5,000	502
10,000	103
20,000	203
50,000	503
100,000	104
200,000	204
500,000	504
1,000,000	105
2,000,000	205

PDA12-PS01

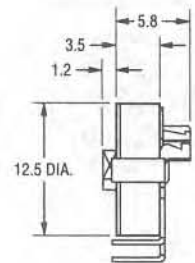
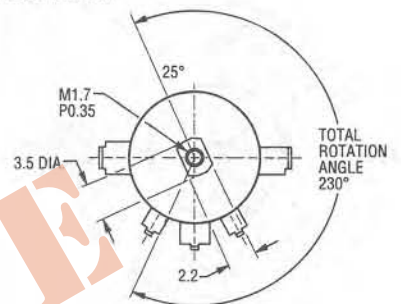


RECOMMENDED PCB LAYOUT

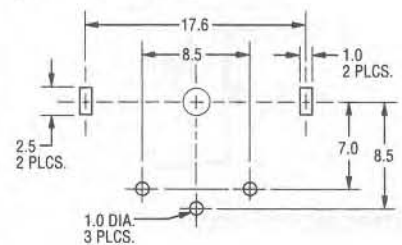


SHAFT SHOWN IN CCW POSITION

PDA12-PN01



RECOMMENDED PCB LAYOUT

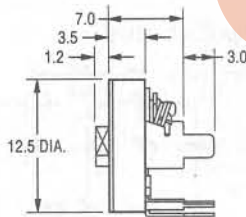
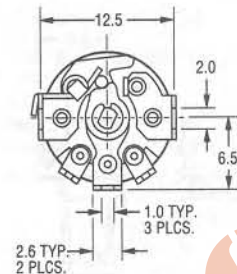
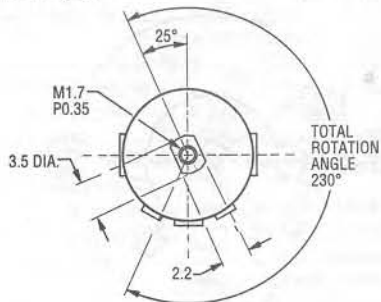


SHAFT SHOWN IN CCW POSITION

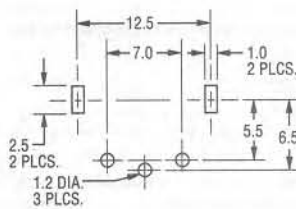
# Model PDA12 Series

Bourns® Panel Controls

PDA12-VS01

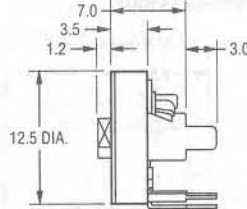
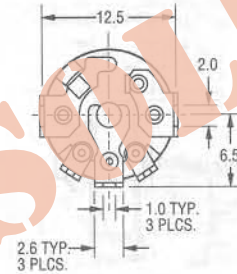
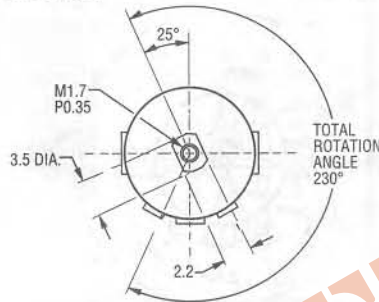


RECOMMENDED PCB LAYOUT

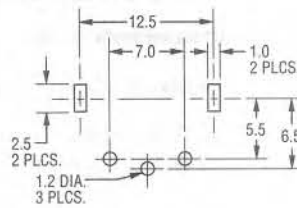


SHAFT SHOWN IN CCW POSITION

PDA12-VN01

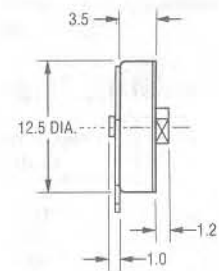
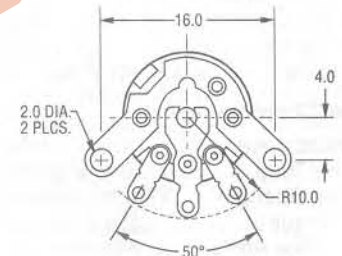
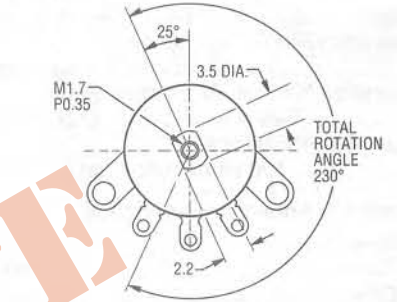


RECOMMENDED PCB LAYOUT



SHAFT SHOWN IN CCW POSITION

PDA12-SN01

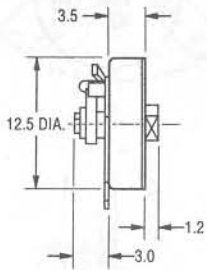
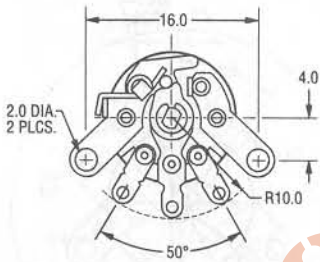
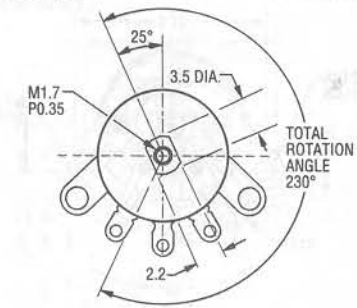


SHAFT SHOWN IN CCW POSITION

# Model PDA12 Series

Bourns® Panel Controls

PDA12-SS01



SHAFT SHOWN IN CCW POSITION

## HOW TO ORDER

**PDA12 - P S 01 - 102 A**

- Model \_\_\_\_\_
- Terminal Configuration\* \_\_\_\_\_
- S = Solder Lugs
  - P = Front Facing PC Pins
  - V = Rear Facing PC Pins
- Switch Option \_\_\_\_\_
- S = Switch
  - N = No Switch
- Standard Shaft Length \_\_\_\_\_
- 01 = 1.2mm
- Resistance Code \_\_\_\_\_
- 501 • 503
  - 102 • 104
  - 202 • 204
  - 502 • 504
  - 103 • 105
  - 203 • 205
- Resistance Taper\* \_\_\_\_\_
- A = Audio Taper (see page 48)
  - B = Linear Taper (see page 48)
- \*Other configurations available.