

*RoHS COMPLIANT



BOURNS®

Features

- Complies with IEEE 802.3 standard specifications including 350 μ H with 8 mA DC bias
- Minimum interwinding breakdown voltage of 1500 Vrms
- RoHS compliant at 260 °C peak temp.
- Integrated magnetics design provides higher reliability and conserves board space

PT44201D - Single Port 10/100 Base-Tx

Electrical Specifications @ 25 °C

Insertion Loss
 1-100 MHz-1.0 dB max.
 Return Loss
 1-30 MHz-18 dB min.
 30-60 MHz-14 dB min.
 60-80 MHz-12 dB min.
 Crosstalk
 1-100 MHz-35 dB min.
 CMRR
 1-50 MHz-30 dB min.
 50-150 MHz-20 dB min.
 Operating Temperature0 °C to +70 °C
 Storage Temperature-40 °C to +85 °C

Physical Specifications

Metal ShieldingNickel-plated copper alloy
 ContactPhosphor bronze, 6 u-inch gold-flashed unless otherwise specified
 Housing.....Thermoplastic PBT UL94V0 rated

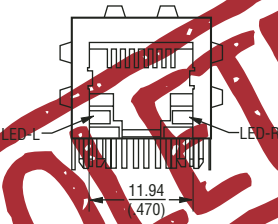
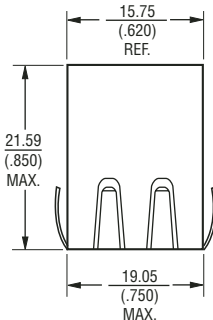
Packaging Specifications

.....560 pcs /tray

How to Order

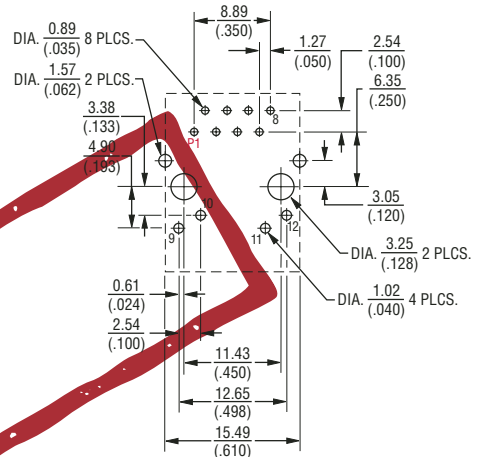
Model _____ **PT44201D**

Product Dimensions



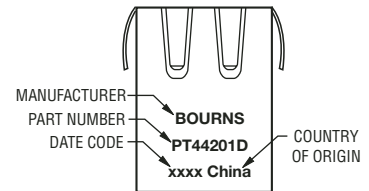
Recommended PCB Layout

COMPONENT SIDE VIEW

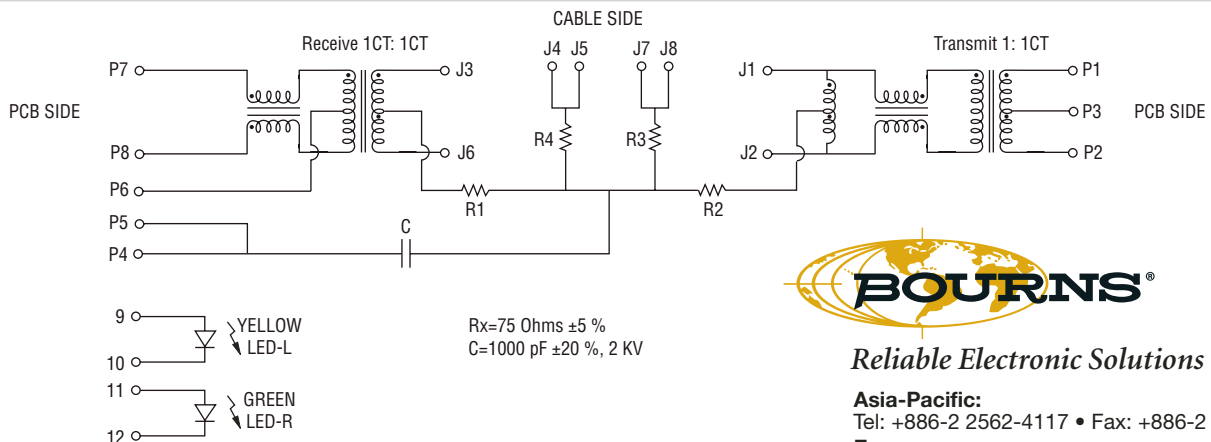


DIMENSIONS: MM (INCHES)
 TOLERANCES: .XX 0.38 (0.15)
 TOLERANCES: .XXX 0.25 (0.10)

Typical Part Marking



Electrical Schematic



Reliable Electronic Solutions

Asia-Pacific:
 Tel: +886-2 2562-4117 • Fax: +886-2 2562-4116
Europe:
 Tel: +41-41 768 5555 • Fax: +41-41 768 5510
The Americas:
 Tel: +1-951 781-5500 • Fax: +1-951 781-5700
 www.bourns.com