

Features

- Complies with IEEE standards and all Ethernet specifications including 350 μH with 8 mA DC bias
- Minimum interwinding breakdown voltage of 1500 Vrms
- RoHS compliant at 260 °C peak temp.
- Four ports connector with LEDs
- High performance for maximum EMI suppression
- Integrated magnetics design provides higher reliability and conserves board space

PT44216M4D - Quad Port 10/100 Base-Tx

Electrical Specifications @ 25 °C

Insertion Loss
 1-100 MHz-1.0 dB typ.

Return Loss
 1-10 MHz.....-20 dB typ.
 30-60 MHz.....-16 dB typ.
 60-80 MHz.....-12 dB typ.

Crosstalk
 1-10 MHz.....-40 dB typ.
 30-60 MHz.....-35 dB typ.
 60-100 MHz.....-30 dB typ.

CMRR
 1-50 MHz.....-30 dB typ.
 50-130 MHz.....-20 dB typ.

Operating Temperature0 °C to +70 °C
 Storage Temperature-40 °C to +85 °C

Physical Specifications

Metal Shielding
Nickel-plated copper alloy

ContactPhosphor bronze,
 6 u-inch gold-flashed
 unless otherwise specified

Housing.....Thermoplastic PBT
 UL94V0 rated

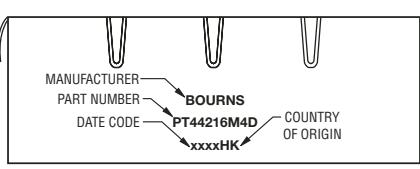
Packaging Specifications

.....160 pcs./tray

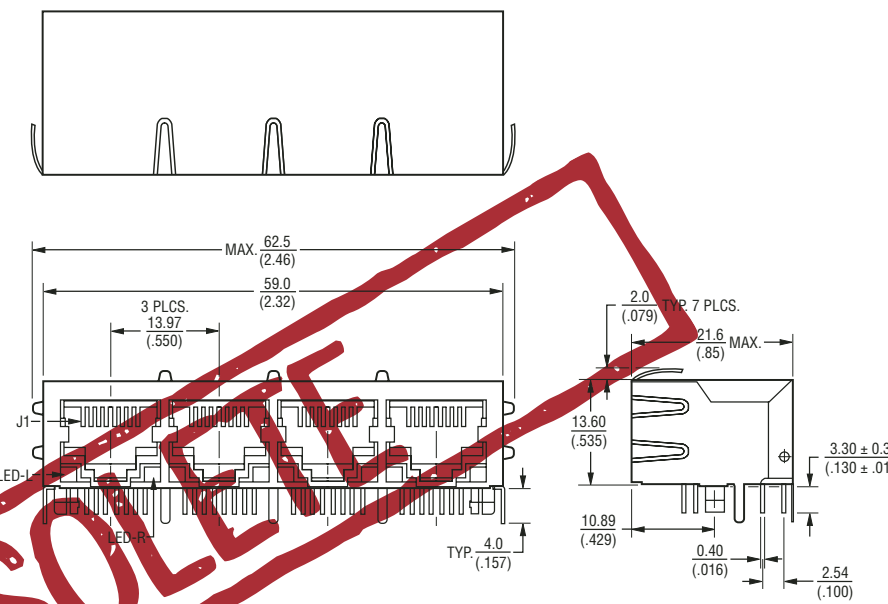
How to Order

Model **PT44216M4D**

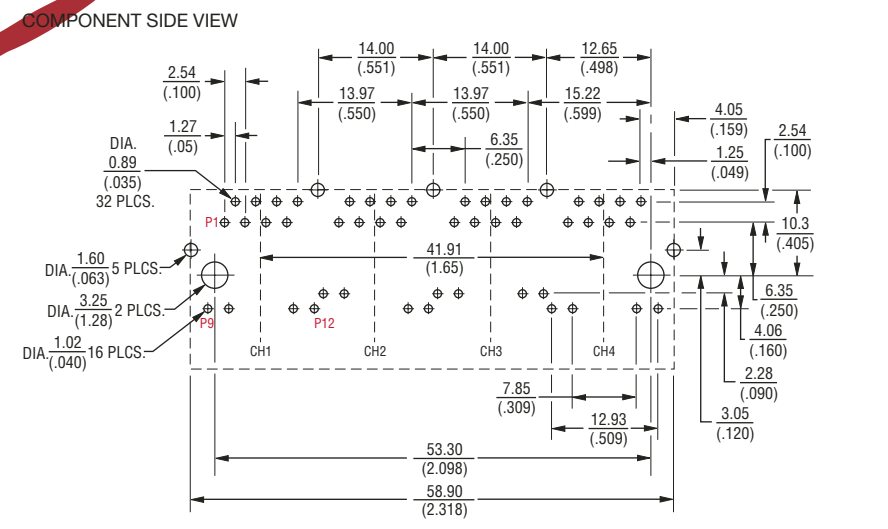
Typical Part Marking



Product Dimensions



Recommended PCB Layout



DIMENSIONS: MM (INCHES)

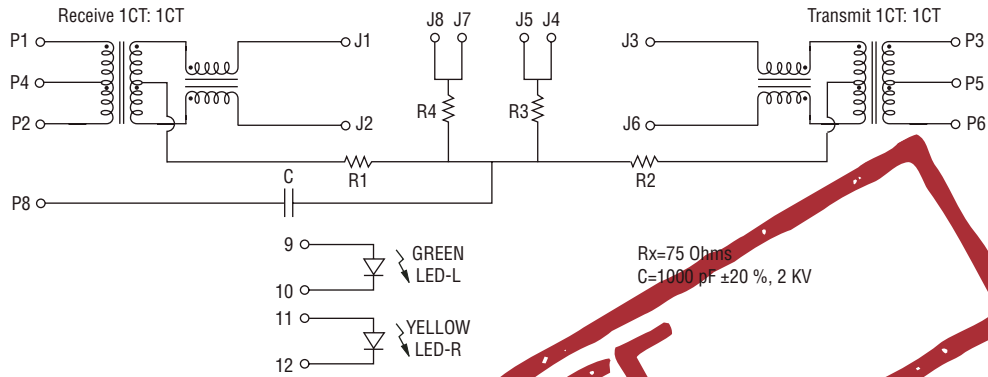
TOLERANCES: .XX 0.25 (.01)

TOLERANCES: .XXX 0.13 (.005)

PT44216M4D - Quad Port 10/100 Base-Tx

BOURNS®

Electrical Schematic



OBsolete



Reliable Electronic Solutions

Asia-Pacific:

Tel: +886-2 2562-4117 • Fax: +886-2 2562-4116

Europe:

Tel: +41-41 768 5555 • Fax: +41-41 768 5510

The Americas:

Tel: +1-951 781-5500 • Fax: +1-951 781-5700

www.bourns.com