

Features

- IEEE 802.3 Ethernet compatible
- Designed for various IC manufacturers
- Fully integrated for adapter, hub and motherboard applications
- Available in enhanced or standard design versions
- RoHS compliant*

This series is Sd M/R_U not recommended for new designs.

Applications

- LAN (Local Area Network)
- Ethernet

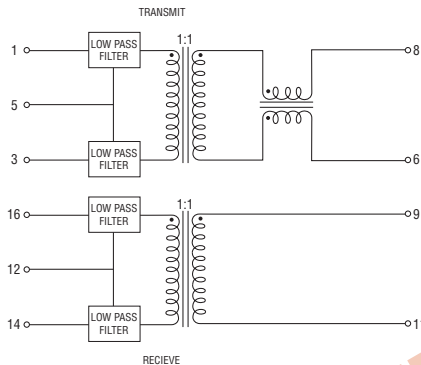
PT61005L LAN 10Base-T Filter Interface

Electrical Specifications @ 25 °C

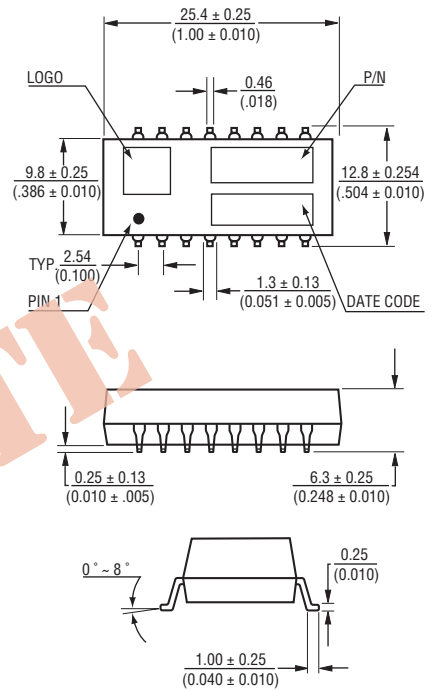
Turns Ratio	
TX $\pm 5\%$	1:1
RX $\pm 5\%$	1:1
Insertion Loss (dB max.)	
1 to 10 MHz	-1.0
Cross Talk (dB min.)	
5 to 10 MHz	-30
Hipot (Vrms min.)	1500
Attenuation (dB min.)	
25 MHz	-11
30 MHz	-16
40 MHz	-26
Return Loss (dB min.)	
5-10 MHz, 100 Ω	-15
5-10 MHz, 98 $\pm 13 \Omega$	-13
Com Mode Rejection XMIT (dB min.)	
5 MHz	-30
10 MHz	-30
50 MHz	-25
Operating Temperature	0 °C to +70 °C

Other OCL specifications available on request.

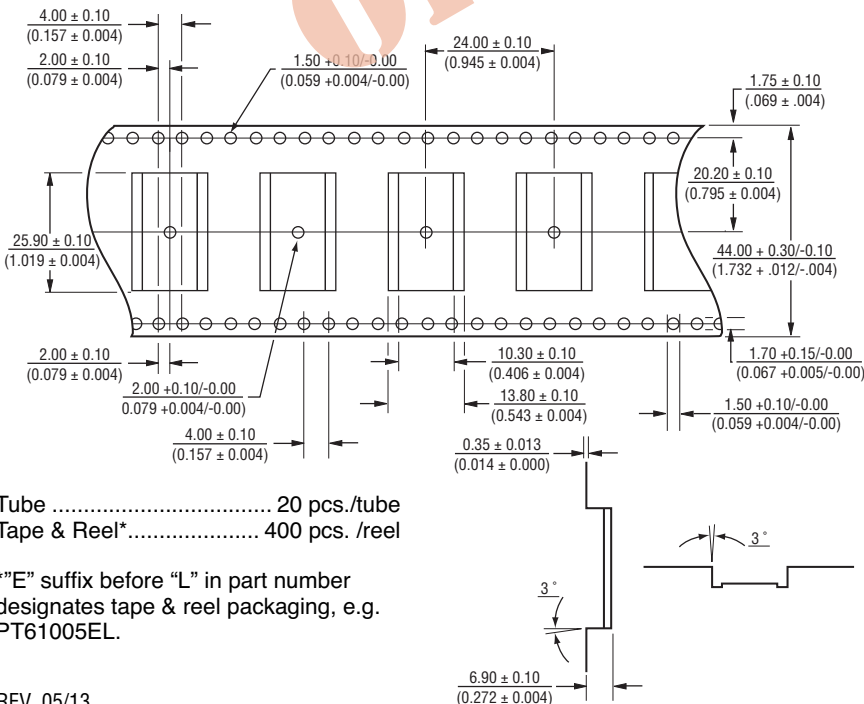
Electrical Schematic



Product Dimensions



Packaging Specifications



Tube 20 pcs./tube
Tape & Reel* 400 pcs./reel

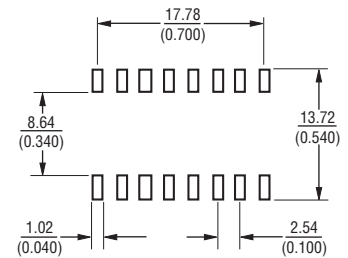
*"E" suffix before "L" in part number designates tape & reel packaging, e.g. PT61005EL.

REV. 05/13

*RoHS Directive 2002/95/EC Jan. 27, 2003 including annex and RoHS Recast 2011/65/EU June 8, 2011.

Specifications are subject to change without notice.
The device characteristics and parameters in this data sheet can and do vary in different applications and actual device performance may vary over time.
Users should verify actual device performance in their specific applications.

Recommended Layout



DIMENSIONS: $\frac{\text{MM}}{\text{(INCHES)}}$

How To Order

Model PT61005 L

Packaging _____
Blank = Packaged in tubes
E = Tape and reel

Termination _____
L = Tin only (RoHS Compliant)