

## Features

- IEEE 802.3 Ethernet compatible
- Designed for AMD IC manufacturers
- Fully integrated for adapter, hub and motherboard applications
- RoHS compliant\*



This series is  $\text{Sd M} \backslash \text{R} \backslash \text{U}$  not recommended for new designs.

## Applications

- LAN (Local Area Network)
- Ethernet

# PT61010L LAN 10Base-T

### Electrical Specifications @ 25 °C

Turns Ratio  
 TX  $\pm 5\%$  .....1CT\*:2CT\*  
 RX  $\pm 5\%$  .....1CT\*:1CT\*  
 OCL ( $\mu\text{H min}$ ) ..... 112  
 Interwinding Capacitance  
 Cww (pF max.) ..... 8  
 Leakage Inductance Ls ( $\mu\text{H max.}$ ) .... 0.3  
 Hipot 60 sec. (Vrms) ..... 1500  
 DCR ( $\Omega \text{ max.}$ ) ..... 0.8  
 Operating Temperature.... 0 °C to +70 °C

\*CT: Center tap

Other OCL specifications available on request.

### Packaging Specifications

Tube ..... 50 pcs./tube  
 Tape & Reel\* ..... 750 pcs./reel

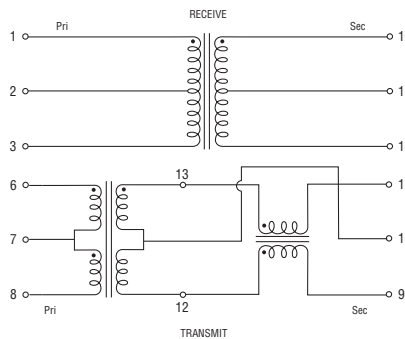
\*\*"E" suffix before "L" in part number designates tape & reel packaging, e.g. PT61010EL.

### How To Order

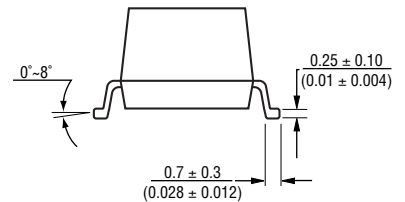
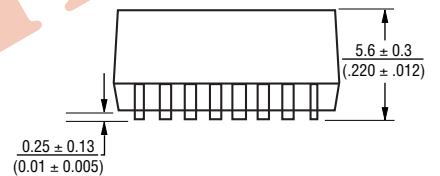
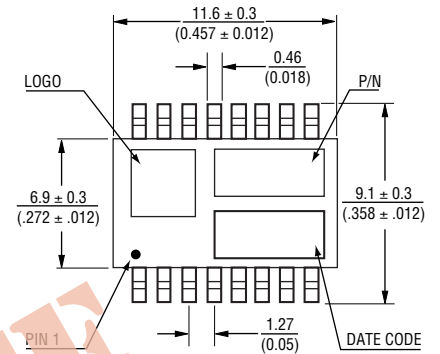
|             |         |   |
|-------------|---------|---|
| Model       | PT61010 | L |
| Packaging   |         |   |
| Termination |         |   |

Blank = Packaged in tubes  
 E = Tape and reel  
 L = Tin only (RoHS Compliant)

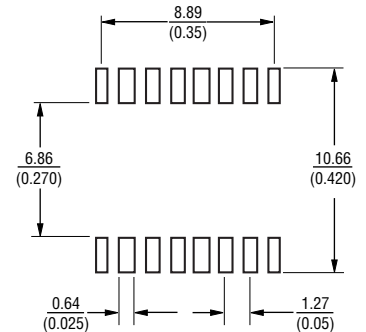
### Electrical Schematic



### Product Dimensions



### Recommended Layout



DIMENSIONS:  $\frac{\text{MM}}{\text{(INCHES)}}$

REV. 05/13

\*RoHS Directive 2002/95/EC Jan. 27, 2003 including annex and RoHS Recast 2011/65/EU June 8, 2011. Specifications are subject to change without notice.

The device characteristics and parameters in this data sheet can and do vary in different applications and actual device performance may vary over time. Users should verify actual device performance in their specific applications.