

Features

- Dual SMD package with transmit and receive transformer
- Low height of only 8.6 mm
- Wide operating temperature: -40 °C to +85 °C
- Matched to leading transceiver ICs
- RoHS compliant*

Applications

- Telecom

PT66002L - T1 Transformer

Electrical Specifications @ 25 °C

Turns Ratio $\pm 2\%$
 III : I + II 1:1.15 CT*
 III(CT*) : IV + V 1 CT*:2 CT*
 OCL (mH min.) 1.6
 Interwinding Capacitance C_{ww} (pF)
 between I + II and III < 60
 between IV + V and III (CT*) < 50
 Leakage Inductance L_s (μ H max.) 0.8
 HIPOT 50 Hz for 2 sec. (V_{rms})
 III to I + II and III (CT*) to IV + V . 1500
 DCR III, III(CT*) (Ω max.) 1
 DCR I + II (Ω max.) 1.2
 DCR IV + V (Ω max.) 2
 Operating Temperature (°C) -40 to +85

*CT: Center tap

Other OCL specifications available on request.

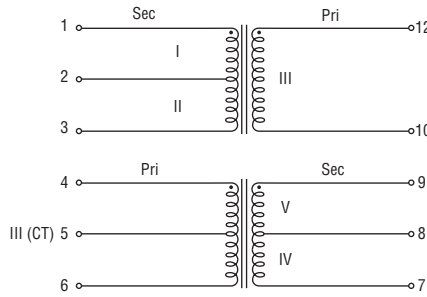
Packaging Specifications

Tube 30 pcs./tube

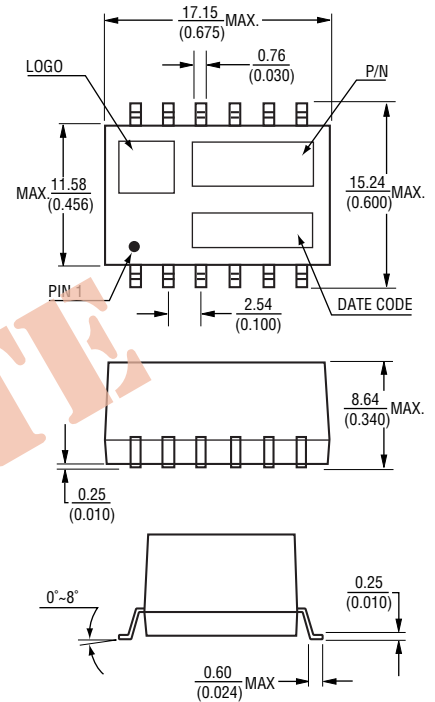
How To Order

Model _____ **PT66002 L**
 Termination _____
 L = Tin only (RoHS Compliant)

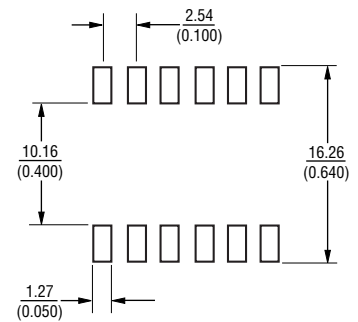
Electrical Schematic



Product Dimensions



Recommended Layout



DIMENSIONS: $\frac{\text{MM}}{\text{(INCHES)}}$