

### Features

- Low height of only 5.7 mm
- RoHS compliant\*



This series is  $\text{Sd M/R,U}$  not recommended for new designs.

### Applications

- Telecom

## PT66006L - T1/CEPT/ISDN-PRI Transformer

### Electrical Specifications @ 25 °C

Turns Ratio $\pm 2\%$	
(6-4):(1-3).....	1.266:1
(6-5):(1-3).....	1:1
OCL (min.)	
(1-3).....	1.2 mH at 25 °C
(1-3).....	800 $\mu$ H at -15 °C
Interwinding Capacitance (pF max.)	
Cww (1-3) to (6-4).....	25
Leakage Inductance Ls ( $\mu$ H max.)	
100 KHz, 10 mVrms (1-3) with	
(6-4) shorted.....	
HIPOT (pri/sec) .....	1500 Vrms for 1 min.
	1600 Vrms for 6 seconds
DCR ( $\Omega$ max.)	
(1-3).....	0.6
(6-4).....	0.8
Insertion Loss (0.1-2 MHz)... 1.0 dB max.	
(pin 1 and 3 connected via 75 $\Omega$ )	
Return Loss (dB min.)	
51 KHz-102 KHz.....	-14
102 KHz - 2048 KHz.....	-22
2048 KHz - 3072 KHz.....	-22
Operating Temperature (°C).... -40 to +85	

Other OCL specifications available on request.

### Packaging Specifications

Tubes.....	75 pcs./tube
Tape and Reel*.....	700 pcs./reel

\*"E" suffix before "L" in part number designates tape & reel packaging, e.g. PT66006EL.

### How To Order

Model PT66006 L

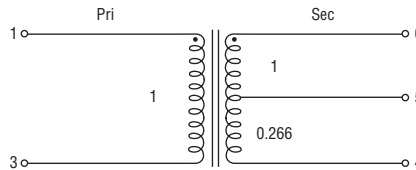
Packaging \_\_\_\_\_

Blank = Packaged in tubes  
E = Tape and reel

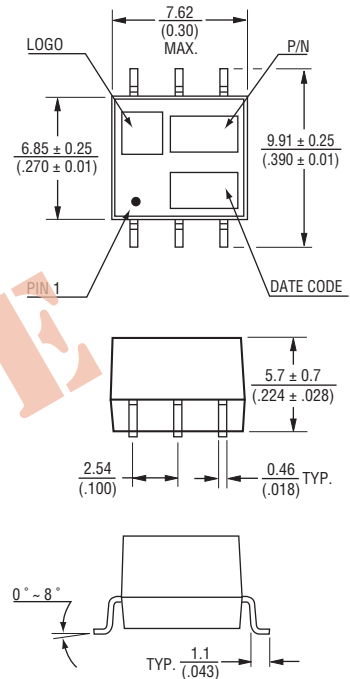
Termination \_\_\_\_\_

L = Tin only (RoHS Compliant)

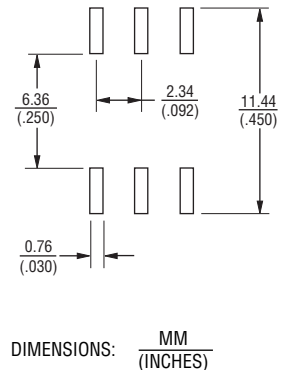
### Electrical Schematic



### Product Dimensions



### Recommended Layout



REV. 05/13

\*RoHS Directive 2002/95/EC Jan. 27, 2003 including annex and RoHS Recast 2011/65/EU June 8, 2011. Specifications are subject to change without notice.

The device characteristics and parameters in this data sheet can and do vary in different applications and actual device performance may vary over time. Users should verify actual device performance in their specific applications.