

### Features

- Compact surface mount packaging
- Contains both transmit and receive transformer in a single package
- Isolation voltage: 1500 Vrms
- RoHS compliant\*



This series is  $\text{Sd M/R,U}$  not recommended for new designs.

### Applications

- Telecom

## PT74344L - T1/CEPT/ISDN-PRI Transformer

### Electrical Specifications @ 25 °C

Turns Ratio $\pm 5\%$	1:1.15CT & 1CT:2CT
Primary Inductance (mH min.)	1.20 & 1.20
Primary Leakage Inductance ( $\mu\text{H}$ max.)	0.60 & 0.60
C <sub>ww</sub> (pF max.)	30 & 30
Pri DCR ( $\Omega$ max.)	0.70 & 0.70
Sec DCR ( $\Omega$ max.)	0.70 & 1.00
Primary Pins	16-14, 6-8
Operating Temperature ( $^{\circ}\text{C}$ )	0 to +70

\*CT : center tap

### Packaging Specifications

Tape and Reel\* ..... 700 pcs./reel

\*\*"E" suffix before "L" in part number designates tape & reel packaging, e.g. PT74344EL.

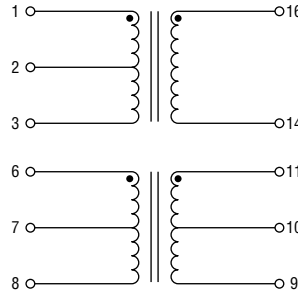
### How To Order

Model PT74344E L

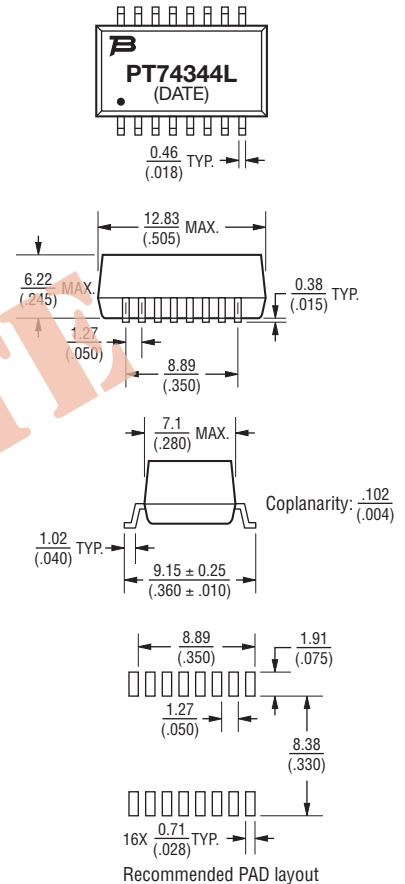
Termination \_\_\_\_\_

L = Tin only (RoHS Compliant)

### Electrical Schematic



### Product Dimensions



DIMENSIONS:  $\frac{\text{MM}}{\text{(INCHES)}}$

TOLERANCES:  $\pm \frac{0.25}{(.010)}$

NOTE: DIMENSIONS ARE EXCLUSIVE OF SOLDER

REV. 05/13

\*RoHS Directive 2002/95/EC Jan. 27, 2003 including annex and RoHS Recast 2011/65/EU June 8, 2011. Specifications are subject to change without notice.

The device characteristics and parameters in this data sheet can and do vary in different applications and actual device performance may vary over time. Users should verify actual device performance in their specific applications.