

Features

- IEEE802.3af/ANSI X3.263
- RoHS compliant*



This series is Scf M/R_U not recommended for new designs.

Applications

- VoIP
- PoE

SM51524L 10/100 Base Tx VoIP Modules (Power over Ethernet - PoE)

Electrical Specifications

Inductance - Open Circuit... 350 μH min.
(100 KHz, 0.1 V with 8 mA DC bias)
Turns Ratio... TX 1CT : 1; RX 1CT : 1CT
Insertion Loss
..... 1-100 MHz, -1.2 dB max.
Return Loss (@ 100 ohms)
1-30 MHz.....-16 dB min.
40 MHz.....-14 dB min.
50 MHz.....-13 dB min.
60-80 MHz.....-12 dB min.
Cross Talk
60 MHz.....-40 dB min.
100 MHz.....-35 dB min.
DCMRR
30 MHz.....-43 dB min.
60 MHz.....-37 dB min.
100 MHz.....-33 dB min.
PoE Current.....350 mA DC
Isolation.....1500 VAC
Operating Temperature
.....-40 $^{\circ}\text{C}$ to +85 $^{\circ}\text{C}$

Packaging Specifications

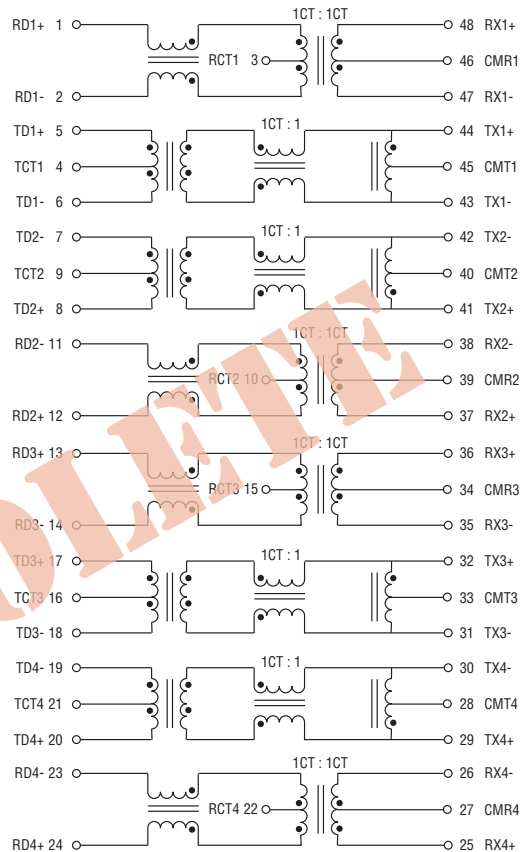
Tube 18 pcs./tube

How To Order

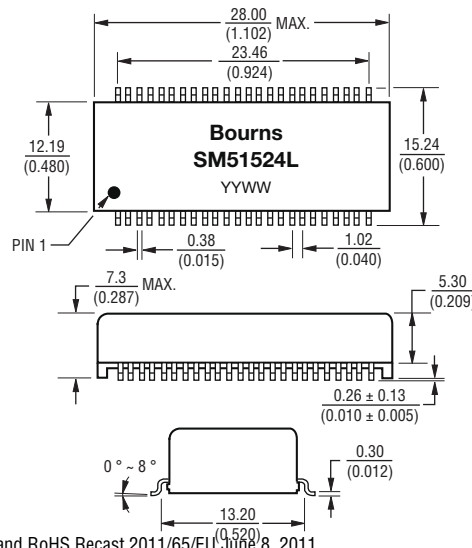
SM51524 L

Model _____
Termination _____
L = Tin only (RoHS Compliant)

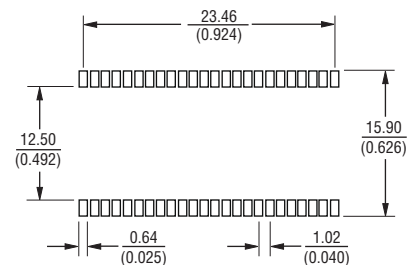
Electrical Schematic



Product Dimensions



Recommended Layout



DIMENSIONS: $\frac{\text{MM}}{\text{(INCHES)}}$

REV. 05/13

*RoHS Directive 2002/95/EC Jan. 27, 2003 including annex and RoHS Recast 2011/65/EU June 8, 2011.

Specifications are subject to change without notice.

The device characteristics and parameters in this data sheet can and do vary in different applications and actual device performance may vary over time.

Users should verify actual device performance in their specific applications.